




MANITOU

HANDLING YOUR WORLD

**GENUINE PARTS CATALOGUE
CATALOGUE PIÈCES D'ORIGINE
ORIGINAL ERSATZTEILKATALOG
CATALOGO DE PIEZAS LEGITIMAS
CATALOGO RICAMBI ORIGINALI**

This document has been printed from  **mye doc**

MANITOU BF

Head office: 430, Rue de l'Aubinière
44150 Ancenis - FRANCE
Share capital: 39,548,949 euros
857 802 508 RCS Nantes
Tel: +33 (0)2 40 09 10 11
www.manitou.com

- *This manual is for information purposes only. Any reproduction, copy, representation, recording, transfer, distribution, or other, in part or in whole, in any format is prohibited. The plans, designs, views, commentaries and instructions, even the document organization that are found in this document, are the intellectual property of MANITOU BF. Any violation of the aforementioned may lead to civil and criminal prosecution. The logos as well as the visual identity of the company are the property of MANITOU BF and may not be used without express and formal authorization. All rights are reserved.*
- *La présente brochure n'est fournie qu'à titre consultatif, toute reproduction, copie, représentation, captation, cession, distribution, ou autre, partiellement ou en totalité, sous quelque format que ce soit est interdite. Les schémas, les dessins, les vues, les commentaires les indications, l'organisation même du document qui sont rapportés dans la présente documentation, sont la propriété intellectuelle de MANITOU BF. Toute infraction à ce qui précède est susceptible d'entraîner des condamnations civiles et pénales. Les logos ainsi que l'identité visuelle de l'entreprise sont la propriété de MANITOU BF et ne peuvent être utilisés sans autorisation expresse et formelle. Tous droits réservés.*
- *Die vorliegende Broschüre dient allein zur Beratung. Nachdruck, Fotokopieren, Vervielfältigung, Darstellung, Erfassung, Überlassung, Verbreitung oder Sonstiges (ganz oder teilweise) in jeglicher Form sind verboten. Die Entwürfe, Zeichnungen, Bilder, Darstellungen, Ansichten, Kommentare, Hinweise und der Aufbau der Druckschrift selbst, die in der vorliegenden Dokumentation enthalten sind, sind geistiges Eigentum von MANITOU BF. Alle Verstöße gegen das Vorstehende können zu straf- oder zivilrechtlicher Verfolgung führen. Die Logos und Markenzeichen sowie Unternehmens- und Produktbezeichnungen sind Eigentum von MANITOU BF und dürfen ohne ausdrückliche Genehmigung nicht verwendet werden. Alle Rechte vorbehalten.*
- *Este folleto se ofrece a título meramente informativo y queda prohibida su reproducción, copia, representación, captación, cesión, distribución y demás, parcial o total, en el formato que sea. Los esquemas, dibujos, vistas, comentarios, indicaciones, la organización misma del documento aportado en esta documentación son propiedad intelectual de MANITOU BF. Cualquier infracción a lo antedicho puede acarrear condenas civiles y penales. Los logotipos y la identidad visual de la empresa son propiedad de MANITOU BF y no pueden utilizarse sin su autorización expresa y formal. Reservados todos los derechos.*
- *Il presente manuale è fornito esclusivamente a titolo di consultazione; è vietata qualsiasi riproduzione, copia, rappresentazione, acquisizione, cessione, distribuzione o altro, parziale o totale, e in qualsivoglia formato. Gli schemi, i disegni, le viste, i commenti, le indicazioni e l'organizzazione stessa del documento, riportati nella presente documentazione, sono proprietà intellettuale di MANITOU BF. Qualsiasi violazione a quanto riportato sopra è passibile di condanna civile e penale. I loghi e l'identità visiva dell'azienda sono di proprietà di MANITOU BF e non possono essere utilizzati senza previa autorizzazione espressa e formale. Tutti i diritti sono riservati.*

Manitou BF
 French limited liability corporation with a Board of Directors
 Head office : 430 rue de l'Aubinière
 44150 Ancenis - France
 Share capital : 39.548.949 euros
 857 802 508 RCS Nantes
www.manitou.com

POUR LES COMMANDES DE PIÈCES, PRÉCISEZ TOUJOURS :

- A - La référence du catalogue (Voir couverture)
- B - Numéro de la planche
- C - Repère de la pièce et quantité demandée
- D - Type de l'appareil, ainsi que son numéro dans la

série

EXEMPLE DE COMMANDE :

Catalogue réf : **647 XXX** Qté : **1**
Planche : **6 BA 122** Type de l'appareil : --
Repère : **2** N° dans la serie : --

A l'aide de ces informations, votre agent MANITOU pourra identifier la référence de la pièce que vous désirez.

TO ORDER YOUR SPARE PARTS, ALWAYS STATE :

- A - The reference of the catalogue (See cover)
- B - Number of the figure
- C - Item of the part and quantity desired
- D - Type of the machine and its number in the serie

EXAMPLE OF ORDER :

Catalogue ref : **647 XXX** Quantity : **1**
Figure : **6 BA 122** Type of the machine : --
Item : **2** Number in the serie : --

With the above information, your MANITOU dealer can identify the number and proper part required.

FÜR BESTELLUNGEN BITTE IMMER ANGEBEN :

- A - Nummer des Katalogs (Siehe Einband)
- B - Nummer der Seite
- C - Abbildung und Mengenbedarf
- D - Typ und Seriennummer des Staplers

BESTELLUNGSBEISPIEL :

Katalog nr : **647 XXX** Menge : **1**
Seite : **6 BA 122** Stapler typ : --
Abbildung : **2** Seriennummer : --

Nur mit Hilfe dieser Angaben kann ihr MANITOU Händler das gewünschte Teil heraus finden.

PARA LOS PEDIDOS DE RECAMBIOS, PRECISAR SIEMPRE :

- A - La referencia de catálogo (Ver portada)
- B - Número de la figura
- C - Señal de la pieza y cantidad deseada
- D - Tipo de la máquina, así como su número en la serie

EJEMPLO DE PEDIDOS

Catalogo ref : **647 XXX** Cantidad : **1**
Figura : **6 BA 122** Tipo de la taquina : --
Señal : **2** Número en la serie : --

Con estas informaciones, su agente MANITOU podrá identificar la referencia de la pieza que usted quiere.

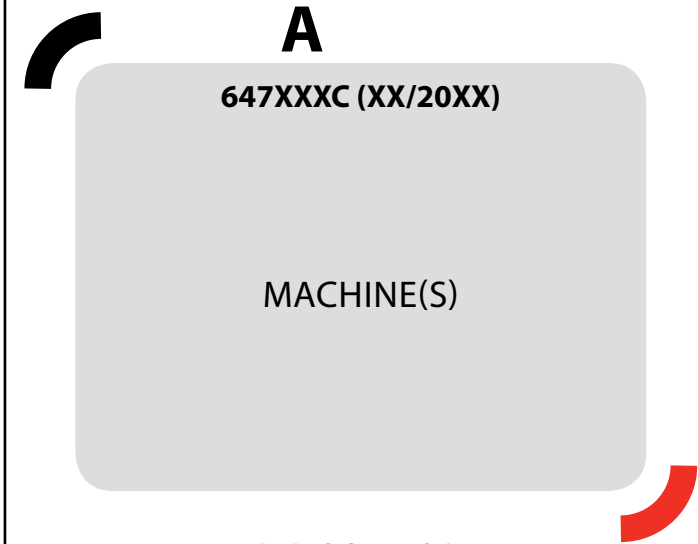
PER ORDINARE I PEZZI DI RICAMBIO, PRECISARE SEMPRE :

- A - Il riferimento del catalogo (Vedi copertina)
- B - Il numero della tavola
- C - Il riferimento del pezzo e la quantità richiesta
- D - Il tipo di macchina, e il suo numero nella serie

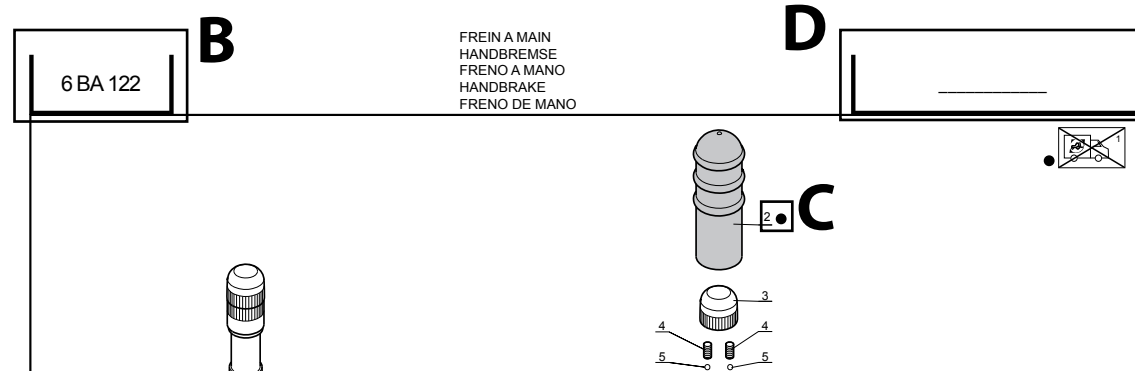
ESEMPIO DI ORDINE :

Catalogo rif. : **647 XXX** Quantità : **1**
Tavola : **6 BA 122** Tipo di macchina : --
Riferimento : **2** N° nella serie : --

Con queste informazioni, il vostro agente MANITOU sarà in grado di identificare il riferimento del pezzo richiesto.



**PARTS CATALOGUE
CATALOGUE PIÈCES
ERSATZTEILKATALOG
CATALOGO DE PIEZAS
CATALOGO RICAMBI**



ELECTRICITY

AX1836 - GEAR BOX (DETAILS) (260452MOD) 1
AX1838 - ELECTRICAL CONTROL VALVE (260452MOD) 7
8AB1006 - CAB (DETAILS) (277581MOD) 9
15AL1 - BOOM TELESCOPE III KIT - BOOM (797866MOD) 15
15AL2 - BOOM TELESCOPE I + COMPLETE BOOM TELESCOPE II KIT - BOOM (797866MOD) 18
15AL3 - ATTACHMENTS KIT - BOOM (797866MOD) 21
15AL4 - FILTER KIT AND VALVE ``VAP`` - BOOM (797866MOD) 23
15AL5 - DETECTOR KIT - BOOM (797866MOD) 26
15AL6 - CHANNEL KIT (797866MOD) 29

_CIRCUIT - HARNESS

AP3066 - CYLINDER HEAD (272275mod) 31
8AB1010 - CAB (DETAILS) (277581MOD) 36
10EA181 - HYDRAULIC (DETAILS) (547958) 40
10EA182 - HYDRAULIC (DETAILS) (547958) 42
10EA196 - HYDRAULIC (DETAILS) (547958) 44
10EA260 - HYDRAULIC (DETAILS) (547958) 46
11AA1017 - (547958) 48
11AA1019 - ELECTRIC CIRCUIT (547958) 49
11AA1020 - ELECTRIC CIRCUIT (547958) 52
11AA1023 - (547958) 54
11AA1024 - (547958) 55
11AA1202 - ELECTRIC CIRCUIT (547958) 56
11AA1330 - (547958) 58
11AA1599 - ELECTRIC CIRCUIT (JIB) (547958) 59
11AA1600 - ELECTRIC CIRCUIT (JIB) (547958) 61
11AA1601 - ELECTRIC CIRCUIT (JIB) (547958) 63
11AA1612 - ELECTRIC CIRCUIT (547958) 65
11CB1053 - (547958) 67
11CB1281 - ELECTRICITY (DETAILS) (547958) 68
11CB1282 - ELECTRICITY (DETAILS) (547958) 74
11CB1283 - ELECTRICITY (DETAILS) (547958) 81
11CB729 - (547958) 87
11CB758 - (547958) 88
10AF533 - HYDRAULIC (ELECTROVALVE + LOCKING OF ATTACHMENTS) (547965) 89
10AF539 - JIB SUSPENSION (547965) 93
10AF541 - JIB SUSPENSION (WITH RETURN LINE CIRCUIT) (547965) 97
10AF545 - HYDRAULIC (TAIL CIRCUIT : SINGLE-ACTING) (547965) 101
10AF547 - HYDRAULIC (TAIL CIRCUIT : DOUBLE-ACTING) (547965) 104
11BA100 - ELECTRICITY (ELECTRICAL PRE-FITTING JIB) (547965) 107
11BA102 - ELECTRICITY (ELECTRICAL PRE-FITTING JIB) (547965) 111
11BA95 - ELECTRICITY (WORKING HEADLIGHT ON JIB) (547965) 115
11BA97 - ELECTRICITY (ELECTRICAL PRE-FITTING JIB) (547965) 118
11CB755 - REAR WORKING HEADLIGHT (547965) 121
8AA495 - PNEUMATIC SEAT ADAPTATION (547965) 124
8AA497 - AIR-CONDITIONING ADAPTATION (547965) 126

_LIGHTING - SIGNALING

11AA1612 - ELECTRIC CIRCUIT (547958) See page 65
11CB1053 - (547958) See page 67
11CB1281 - ELECTRICITY (DETAILS) (547958) See page 68
11CB1282 - ELECTRICITY (DETAILS) (547958) See page 74
11CB1283 - ELECTRICITY (DETAILS) (547958) See page 81
11CB728 - ELECTRICITY (DETAILS) (547958) 128
11CB729 - (547958) See page 87
11CB758 - (547958) See page 88
11CB829 - ELECTRICITY (DETAILS) (547958) 132
11CB717 - ELECTRICITY (SERVICE PLATE LIGHTING) (547965) 136

11CB754 - FRONT WORKING HEADLIGHT (547965)	138
11CB755 - REAR WORKING HEADLIGHT (547965)	See page 121

_SWITCH

11CC176 - ELECTRICITY (CAB STRUCTURE) (547958)	140
8AD185 - HEATING CIRCUIT (547958)	145
10AF545 - HYDRAULIC (TAIL CIRCUIT : SINGLE-ACTING) (547965)	See page 101
10AF547 - HYDRAULIC (TAIL CIRCUIT : DOUBLE-ACTING) (547965)	See page 104
11BA97 - ELECTRICITY (ELECTRICAL PRE-FITTING JIB) (547965)	See page 118
11CB755 - REAR WORKING HEADLIGHT (547965)	See page 121
8AA497 - AIR-CONDITIONING ADAPTATION (547965)	See page 126

_REAR PLUG

11CB719 - REAR CONNECTOR (547965)	149
---	-----

_SAFETY SYSTEM

11AA1612 - ELECTRIC CIRCUIT (547958)	See page 65
11CB1053 - (547958)	See page 67
11CB1281 - ELECTRICITY (DETAILS) (547958)	See page 68
11CB1282 - ELECTRICITY (DETAILS) (547958)	See page 74
11CB1283 - ELECTRICITY (DETAILS) (547958)	See page 81
11CB728 - ELECTRICITY (DETAILS) (547958)	See page 128
11CB729 - (547958)	See page 87
11CB758 - (547958)	See page 88
11CB829 - ELECTRICITY (DETAILS) (547958)	See page 132
11CD122 - ELECTRICITY (ENGINE - TRANSMISSION) (547958)	151
10AF533 - HYDRAULIC (ELECTROVALVE + LOCKING OF ATTACHMENTS) (547965)	See page 89

_SELECTOR - MANIPULATOR

10EA181 - HYDRAULIC (DETAILS) (547958)	See page 40
10EA182 - HYDRAULIC (DETAILS) (547958)	See page 42
10EA196 - HYDRAULIC (DETAILS) (547958)	See page 44
10EA260 - HYDRAULIC (DETAILS) (547958)	See page 46
11CB1053 - (547958)	See page 67
11CB1281 - ELECTRICITY (DETAILS) (547958)	See page 68
11CB1282 - ELECTRICITY (DETAILS) (547958)	See page 74
11CB1283 - ELECTRICITY (DETAILS) (547958)	See page 81
11CB728 - ELECTRICITY (DETAILS) (547958)	See page 128
11CB729 - (547958)	See page 87
11CB758 - (547958)	See page 88
11CC176 - ELECTRICITY (CAB STRUCTURE) (547958)	See page 140
10EA193 - HYDRAULIC (DETAILS) (547965)	153
10EA197 - HYDRAULIC (DETAILS) (547965)	156
11BA100 - ELECTRICITY (ELECTRICAL PRE-FITTING JIB) (547965)	See page 107
11BA102 - ELECTRICITY (ELECTRICAL PRE-FITTING JIB) (547965)	See page 111
11BA95 - ELECTRICITY (WORKING HEADLIGHT ON JIB) (547965)	See page 115

AX 1836

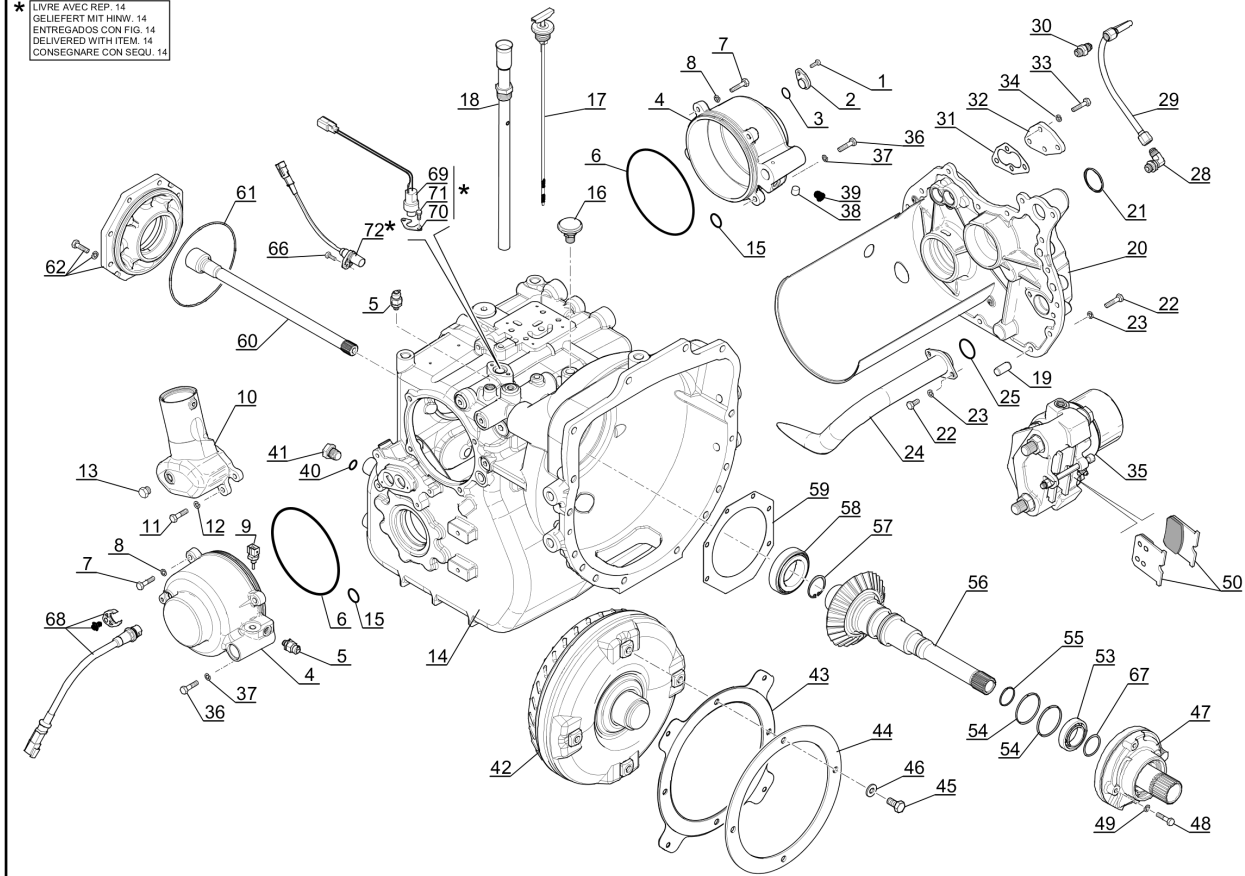
POUR BOITE DE VITESSES
FÜR GETRIEBEKASTEN
PARA CAJA DE VELOCIDADES
FOR GEAR BOX
PER CAMBIO

□ Type: 859 / 54
□ Ref: 260 452

BOITE DE VITESSES (Détails)
GETRIEBEKASTEN (Einzelteile)
CAJA DE VELOCIDADES (detalles)
GEAR BOX (Details)
CAMBO (Dettaglio)

MT 1440 PRIVILEGE
MT 1440 EP PRIVILEGE
MT 1440 A PRIVILEGE
MT 1840 PRIVILEGE
MT 1840 EP PRIVILEGE
MT 1840 A PRIVILEGE

* LIVRE AVEC REP. 14
GELIEFERT MIT HINW. 14
ENTREGADOS CON FIG. 14
DELIVERED WITH ITEM. 14
CONSEGNARE CON SEQU. 14



23 / 04 / 07

P.A.G. illus

Item	Part No.	Name	Characteristics	Qty	Superseded PartNumber	Product Type
0	278126	Gear box		1		MT 1840 EP PRIVILEGE, MT 1440 A PRIVILEGE, MT 1440 PRIVILEGE, MT 1840 A PRIVILEGE, MT 1840 PRIVILEGE, MT 1440 EP PRIVILEGE
1	745846	Screw		1		MT 1840 EP PRIVILEGE, MT 1440 A PRIVILEGE, MT 1440 PRIVILEGE, MT 1840 A PRIVILEGE, MT 1840 PRIVILEGE, MT 1440 EP PRIVILEGE
2	550406	Plug		1	745847	MT 1840 EP PRIVILEGE, MT 1440 A PRIVILEGE, MT 1440 PRIVILEGE, MT 1840 A PRIVILEGE, MT 1840 PRIVILEGE, MT 1440 EP PRIVILEGE
3	745848	"0" ring		1		MT 1840 EP PRIVILEGE, MT 1440 A PRIVILEGE, MT 1440 PRIVILEGE, MT 1840 A PRIVILEGE, MT 1840 PRIVILEGE, MT 1440 EP PRIVILEGE
4	745849	Housing		2		MT 1840 EP PRIVILEGE, MT 1440 A PRIVILEGE, MT 1440 PRIVILEGE, MT 1840 A PRIVILEGE, MT 1840 PRIVILEGE, MT 1440 EP PRIVILEGE
5	745850	Pressure test		3		MT 1840 EP PRIVILEGE, MT 1440 A PRIVILEGE, MT 1440 PRIVILEGE, MT 1840 A PRIVILEGE, MT 1840 PRIVILEGE, MT 1440 EP PRIVILEGE
6	797079	O ring		2		MT 1840 EP PRIVILEGE, MT 1440 A PRIVILEGE, MT 1440 PRIVILEGE, MT 1840 A PRIVILEGE, MT 1840 PRIVILEGE, MT 1440 EP PRIVILEGE
7	63754	Screw	HM8	4		MT 1840 EP PRIVILEGE, MT 1440 A PRIVILEGE, MT 1440 PRIVILEGE, MT 1840 A PRIVILEGE, MT 1840 PRIVILEGE, MT 1440 EP PRIVILEGE
8	42325	Washer		4		MT 1840 EP PRIVILEGE, MT 1440 A PRIVILEGE, MT 1440 PRIVILEGE, MT 1840 A PRIVILEGE, MT 1840 PRIVILEGE, MT 1440 EP PRIVILEGE
9	745854	Oil temperature sensor		1		MT 1840 EP PRIVILEGE, MT 1440 A PRIVILEGE, MT 1440 PRIVILEGE, MT 1840 A PRIVILEGE, MT 1840 PRIVILEGE, MT 1440 EP PRIVILEGE
10	797276	Housing		1		MT 1840 EP PRIVILEGE, MT 1440 A PRIVILEGE, MT 1440 PRIVILEGE, MT 1840 A PRIVILEGE, MT 1840 PRIVILEGE, MT 1440 EP PRIVILEGE
11	57446	Screw	HM8	4		MT 1840 EP PRIVILEGE, MT 1440 A PRIVILEGE, MT 1440 PRIVILEGE, MT 1840 A PRIVILEGE, MT 1840 PRIVILEGE, MT 1440 EP PRIVILEGE
12	42325	Washer		4		MT 1840 EP PRIVILEGE, MT 1440 A PRIVILEGE, MT 1440 PRIVILEGE, MT 1840 A PRIVILEGE, MT 1840 PRIVILEGE, MT 1440 EP PRIVILEGE
13	745856	Plug		1		MT 1840 EP PRIVILEGE, MT 1440 A PRIVILEGE, MT 1440 PRIVILEGE, MT 1840 A PRIVILEGE, MT 1840 PRIVILEGE, MT 1440 EP PRIVILEGE
14	958849	HOUSING		1	745858	MT 1840 EP PRIVILEGE, MT 1440 A PRIVILEGE, MT 1440 PRIVILEGE, MT 1840 A PRIVILEGE, MT 1840 PRIVILEGE, MT 1440 EP PRIVILEGE
15	745859	"0" ring		2		MT 1840 EP PRIVILEGE, MT 1440 A PRIVILEGE, MT 1440 PRIVILEGE, MT 1840 A PRIVILEGE, MT 1840 PRIVILEGE, MT 1440 EP PRIVILEGE

Item	Part No.	Name	Characteristics	Qty	Superseded PartNumber	Product Type
16	449484	Air breather		1	745860	MT 1840 EP PRIVILEGE, MT 1440 A PRIVILEGE, MT 1440 PRIVILEGE, MT 1840 A PRIVILEGE, MT 1840 PRIVILEGE, MT 1440 EP PRIVILEGE
17	745861	Gauge		1		MT 1840 EP PRIVILEGE, MT 1440 A PRIVILEGE, MT 1440 PRIVILEGE, MT 1840 A PRIVILEGE, MT 1840 PRIVILEGE, MT 1440 EP PRIVILEGE
18	745862	Tube		1		MT 1840 EP PRIVILEGE, MT 1440 A PRIVILEGE, MT 1440 PRIVILEGE, MT 1840 A PRIVILEGE, MT 1840 PRIVILEGE, MT 1440 EP PRIVILEGE
19	745853	Centering pin		2		MT 1840 EP PRIVILEGE, MT 1440 A PRIVILEGE, MT 1440 PRIVILEGE, MT 1840 A PRIVILEGE, MT 1840 PRIVILEGE, MT 1440 EP PRIVILEGE
20	894008	Lateral axle case		1	745866	MT 1840 EP PRIVILEGE, MT 1440 A PRIVILEGE, MT 1440 PRIVILEGE, MT 1840 A PRIVILEGE, MT 1840 PRIVILEGE, MT 1440 EP PRIVILEGE
21	745865	"0" ring		1		MT 1840 EP PRIVILEGE, MT 1440 A PRIVILEGE, MT 1440 PRIVILEGE, MT 1840 A PRIVILEGE, MT 1840 PRIVILEGE, MT 1440 EP PRIVILEGE
22	57446	Screw	HM8	20		MT 1840 EP PRIVILEGE, MT 1440 A PRIVILEGE, MT 1440 PRIVILEGE, MT 1840 A PRIVILEGE, MT 1840 PRIVILEGE, MT 1440 EP PRIVILEGE
23	42325	Washer		20		MT 1840 EP PRIVILEGE, MT 1440 A PRIVILEGE, MT 1440 PRIVILEGE, MT 1840 A PRIVILEGE, MT 1840 PRIVILEGE, MT 1440 EP PRIVILEGE
24	745863	Tube		1		MT 1840 EP PRIVILEGE, MT 1440 A PRIVILEGE, MT 1440 PRIVILEGE, MT 1840 A PRIVILEGE, MT 1840 PRIVILEGE, MT 1440 EP PRIVILEGE
25	745864	"0" ring		1		MT 1840 EP PRIVILEGE, MT 1440 A PRIVILEGE, MT 1440 PRIVILEGE, MT 1840 A PRIVILEGE, MT 1840 PRIVILEGE, MT 1440 EP PRIVILEGE
28	745873	Connection		1		MT 1840 EP PRIVILEGE, MT 1440 A PRIVILEGE, MT 1440 PRIVILEGE, MT 1840 A PRIVILEGE, MT 1840 PRIVILEGE, MT 1440 EP PRIVILEGE
29	786463	Tube		1		MT 1840 EP PRIVILEGE, MT 1440 A PRIVILEGE, MT 1440 PRIVILEGE, MT 1840 A PRIVILEGE, MT 1840 PRIVILEGE, MT 1440 EP PRIVILEGE
30	745869	Connection		1		MT 1840 EP PRIVILEGE, MT 1440 A PRIVILEGE, MT 1440 PRIVILEGE, MT 1840 A PRIVILEGE, MT 1840 PRIVILEGE, MT 1440 EP PRIVILEGE
31	745874	Gasket		1		MT 1840 EP PRIVILEGE, MT 1440 A PRIVILEGE, MT 1440 PRIVILEGE, MT 1840 A PRIVILEGE, MT 1840 PRIVILEGE, MT 1440 EP PRIVILEGE
32	745875	Cover		1		MT 1840 EP PRIVILEGE, MT 1440 A PRIVILEGE, MT 1440 PRIVILEGE, MT 1840 A PRIVILEGE, MT 1840 PRIVILEGE, MT 1440 EP PRIVILEGE
33	57446	Screw	HM8	4		MT 1840 EP PRIVILEGE, MT 1440 A PRIVILEGE, MT 1440 PRIVILEGE, MT 1840 A PRIVILEGE, MT 1840 PRIVILEGE, MT 1440 EP PRIVILEGE

Item	Part No.	Name	Characteristics	Qty	Superseded PartNumber	Product Type
34	42325	Washer		4		MT 1840 EP PRIVILEGE, MT 1440 A PRIVILEGE, MT 1440 PRIVILEGE, MT 1840 A PRIVILEGE, MT 1840 PRIVILEGE, MT 1440 EP PRIVILEGE
35	786614	Brake kit		1		MT 1840 EP PRIVILEGE, MT 1440 A PRIVILEGE, MT 1440 PRIVILEGE, MT 1840 A PRIVILEGE, MT 1840 PRIVILEGE, MT 1440 EP PRIVILEGE
36	745876	Screw		4		MT 1840 EP PRIVILEGE, MT 1440 A PRIVILEGE, MT 1440 PRIVILEGE, MT 1840 A PRIVILEGE, MT 1840 PRIVILEGE, MT 1440 EP PRIVILEGE
37	42325	Washer		4		MT 1840 EP PRIVILEGE, MT 1440 A PRIVILEGE, MT 1440 PRIVILEGE, MT 1840 A PRIVILEGE, MT 1840 PRIVILEGE, MT 1440 EP PRIVILEGE
38	449496	Plug		1		MT 1840 EP PRIVILEGE, MT 1440 A PRIVILEGE, MT 1440 PRIVILEGE, MT 1840 A PRIVILEGE, MT 1840 PRIVILEGE, MT 1440 EP PRIVILEGE
39	745867	Plug		1	749991, 797068	MT 1840 EP PRIVILEGE, MT 1440 A PRIVILEGE, MT 1440 PRIVILEGE, MT 1840 A PRIVILEGE, MT 1840 PRIVILEGE, MT 1440 EP PRIVILEGE
40	797054	O ring		1		MT 1840 EP PRIVILEGE, MT 1440 A PRIVILEGE, MT 1440 PRIVILEGE, MT 1840 A PRIVILEGE, MT 1840 PRIVILEGE, MT 1440 EP PRIVILEGE
41	745872	Magnetic plug		1		MT 1840 EP PRIVILEGE, MT 1440 A PRIVILEGE, MT 1440 PRIVILEGE, MT 1840 A PRIVILEGE, MT 1840 PRIVILEGE, MT 1440 EP PRIVILEGE
42	745880	Converter		1		MT 1840 EP PRIVILEGE, MT 1440 A PRIVILEGE, MT 1440 PRIVILEGE, MT 1840 A PRIVILEGE, MT 1840 PRIVILEGE, MT 1440 EP PRIVILEGE
43	797196	Intermediate plate		3		MT 1840 EP PRIVILEGE, MT 1440 A PRIVILEGE, MT 1440 PRIVILEGE, MT 1840 A PRIVILEGE, MT 1840 PRIVILEGE, MT 1440 EP PRIVILEGE
44	797198	Support		1		MT 1840 EP PRIVILEGE, MT 1440 A PRIVILEGE, MT 1440 PRIVILEGE, MT 1840 A PRIVILEGE, MT 1840 PRIVILEGE, MT 1440 EP PRIVILEGE
45	562448	Screw		4	745802	MT 1840 EP PRIVILEGE, MT 1440 A PRIVILEGE, MT 1440 PRIVILEGE, MT 1840 A PRIVILEGE, MT 1840 PRIVILEGE, MT 1440 EP PRIVILEGE
46	745803	Washer		4		MT 1840 EP PRIVILEGE, MT 1440 A PRIVILEGE, MT 1440 PRIVILEGE, MT 1840 A PRIVILEGE, MT 1840 PRIVILEGE, MT 1440 EP PRIVILEGE
47	745821	Lubricating oil pump		1		MT 1840 EP PRIVILEGE, MT 1440 A PRIVILEGE, MT 1440 PRIVILEGE, MT 1840 A PRIVILEGE, MT 1840 PRIVILEGE, MT 1440 EP PRIVILEGE
48	797103	Screw	HM8	4		MT 1840 EP PRIVILEGE, MT 1440 A PRIVILEGE, MT 1440 PRIVILEGE, MT 1840 A PRIVILEGE, MT 1840 PRIVILEGE, MT 1440 EP PRIVILEGE
49	562442	Washer		4		MT 1840 EP PRIVILEGE, MT 1440 A PRIVILEGE, MT 1440 PRIVILEGE, MT 1840 A PRIVILEGE, MT 1840 PRIVILEGE, MT 1440 EP PRIVILEGE

Item	Part No.	Name	Characteristics	Qty	Superseded PartNumber	Product Type
50	746005	Plate		0		MT 1840 EP PRIVILEGE, MT 1440 A PRIVILEGE, MT 1440 PRIVILEGE, MT 1840 A PRIVILEGE, MT 1840 PRIVILEGE, MT 1440 EP PRIVILEGE
53	745832	Bearing		1		MT 1840 EP PRIVILEGE, MT 1440 A PRIVILEGE, MT 1440 PRIVILEGE, MT 1840 A PRIVILEGE, MT 1840 PRIVILEGE, MT 1440 EP PRIVILEGE
54	745831	Snap ring		2		MT 1840 EP PRIVILEGE, MT 1440 A PRIVILEGE, MT 1440 PRIVILEGE, MT 1840 A PRIVILEGE, MT 1840 PRIVILEGE, MT 1440 EP PRIVILEGE
55	797098	O ring		1		MT 1840 EP PRIVILEGE, MT 1440 A PRIVILEGE, MT 1440 PRIVILEGE, MT 1840 A PRIVILEGE, MT 1840 PRIVILEGE, MT 1440 EP PRIVILEGE
56	745830	Shaft		1		MT 1840 EP PRIVILEGE, MT 1440 A PRIVILEGE, MT 1440 PRIVILEGE, MT 1840 A PRIVILEGE, MT 1840 PRIVILEGE, MT 1440 EP PRIVILEGE
57	745829	Circlip		1		MT 1840 EP PRIVILEGE, MT 1440 A PRIVILEGE, MT 1440 PRIVILEGE, MT 1840 A PRIVILEGE, MT 1840 PRIVILEGE, MT 1440 EP PRIVILEGE
58	745828	Bearing		1		MT 1840 EP PRIVILEGE, MT 1440 A PRIVILEGE, MT 1440 PRIVILEGE, MT 1840 A PRIVILEGE, MT 1840 PRIVILEGE, MT 1440 EP PRIVILEGE
59	745843	Shim		0		MT 1840 EP PRIVILEGE, MT 1440 A PRIVILEGE, MT 1440 PRIVILEGE, MT 1840 A PRIVILEGE, MT 1840 PRIVILEGE, MT 1440 EP PRIVILEGE
59	745839	Shim		0		MT 1840 EP PRIVILEGE, MT 1440 A PRIVILEGE, MT 1440 PRIVILEGE, MT 1840 A PRIVILEGE, MT 1840 PRIVILEGE, MT 1440 EP PRIVILEGE
59	745840	Shim		0		MT 1840 EP PRIVILEGE, MT 1440 A PRIVILEGE, MT 1440 PRIVILEGE, MT 1840 A PRIVILEGE, MT 1840 PRIVILEGE, MT 1440 EP PRIVILEGE
59	745841	Shim		0		MT 1840 EP PRIVILEGE, MT 1440 A PRIVILEGE, MT 1440 PRIVILEGE, MT 1840 A PRIVILEGE, MT 1840 PRIVILEGE, MT 1440 EP PRIVILEGE
59	745842	Shim		0		MT 1840 EP PRIVILEGE, MT 1440 A PRIVILEGE, MT 1440 PRIVILEGE, MT 1840 A PRIVILEGE, MT 1840 PRIVILEGE, MT 1440 EP PRIVILEGE
60	745917	Shaft		1		MT 1840 EP PRIVILEGE, MT 1440 A PRIVILEGE, MT 1440 PRIVILEGE, MT 1840 A PRIVILEGE, MT 1840 PRIVILEGE, MT 1440 EP PRIVILEGE
61	745916	"O" ring		1		MT 1840 EP PRIVILEGE, MT 1440 A PRIVILEGE, MT 1440 PRIVILEGE, MT 1840 A PRIVILEGE, MT 1840 PRIVILEGE, MT 1440 EP PRIVILEGE
62	745915	Cover		1		MT 1840 EP PRIVILEGE, MT 1440 A PRIVILEGE, MT 1440 PRIVILEGE, MT 1840 A PRIVILEGE, MT 1840 PRIVILEGE, MT 1440 EP PRIVILEGE
66	745846	Screw		1		MT 1840 EP PRIVILEGE, MT 1440 A PRIVILEGE, MT 1440 PRIVILEGE, MT 1840 A PRIVILEGE, MT 1840 PRIVILEGE, MT 1440 EP PRIVILEGE

Item	Part No.	Name	Characteristics	Qty	Superseded PartNumber	Product Type
67	745837	Shim		0		MT 1840 EP PRIVILEGE, MT 1440 A PRIVILEGE, MT 1440 PRIVILEGE, MT 1840 A PRIVILEGE, MT 1840 PRIVILEGE, MT 1440 EP PRIVILEGE
67	745835	Shim		0		MT 1840 EP PRIVILEGE, MT 1440 A PRIVILEGE, MT 1440 PRIVILEGE, MT 1840 A PRIVILEGE, MT 1840 PRIVILEGE, MT 1440 EP PRIVILEGE
67	745836	Shim		0		MT 1840 EP PRIVILEGE, MT 1440 A PRIVILEGE, MT 1440 PRIVILEGE, MT 1840 A PRIVILEGE, MT 1840 PRIVILEGE, MT 1440 EP PRIVILEGE
67	745834	Shim		0		MT 1840 EP PRIVILEGE, MT 1440 A PRIVILEGE, MT 1440 PRIVILEGE, MT 1840 A PRIVILEGE, MT 1840 PRIVILEGE, MT 1440 EP PRIVILEGE
67	745838	Shim		0		MT 1840 EP PRIVILEGE, MT 1440 A PRIVILEGE, MT 1440 PRIVILEGE, MT 1840 A PRIVILEGE, MT 1840 PRIVILEGE, MT 1440 EP PRIVILEGE
68	746184	Low pressure		1		MT 1840 EP PRIVILEGE, MT 1440 A PRIVILEGE, MT 1440 PRIVILEGE, MT 1840 A PRIVILEGE, MT 1840 PRIVILEGE, MT 1440 EP PRIVILEGE
69	958014	KIT		1	746722	MT 1840 EP PRIVILEGE, MT 1440 A PRIVILEGE, MT 1440 PRIVILEGE, MT 1840 A PRIVILEGE, MT 1840 PRIVILEGE, MT 1440 EP PRIVILEGE
70	746723	Mounting plate		1		MT 1840 EP PRIVILEGE, MT 1440 A PRIVILEGE, MT 1440 PRIVILEGE, MT 1840 A PRIVILEGE, MT 1840 PRIVILEGE, MT 1440 EP PRIVILEGE
71	563821	screw		1	551487, 746724	MT 1840 EP PRIVILEGE, MT 1440 A PRIVILEGE, MT 1440 PRIVILEGE, MT 1840 A PRIVILEGE, MT 1840 PRIVILEGE, MT 1440 EP PRIVILEGE
72	958981	SENSOR		1	746725	MT 1840 EP PRIVILEGE, MT 1440 A PRIVILEGE, MT 1440 PRIVILEGE, MT 1840 A PRIVILEGE, MT 1840 PRIVILEGE, MT 1440 EP PRIVILEGE

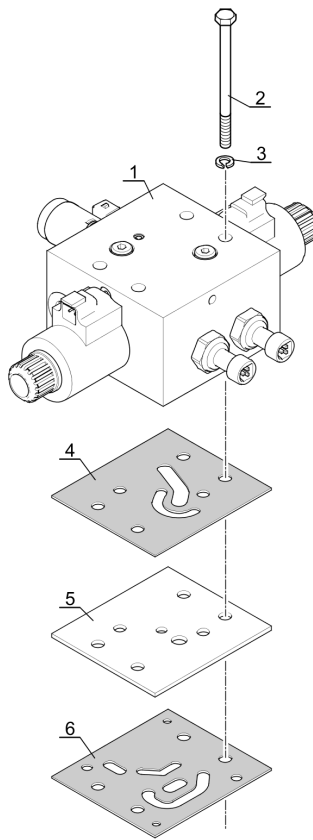
AX 1838

POUR BOITE DE VITESSES
FÜR GETREIBKASTEN
PARA CAJA DE VELOCIDADES
FOR GEAR BOX
PER CAMBIO

Type: 859 / 54
 Ref: 260 452

VALVE DE CONTROLE ELECTRIQUE
ELEKTRISCHE KONTROLLVENTIL
VALVULA DE CONTROL ELECTRICA
ELECTRICAL CONTROL VALVE
VAVOLA DI CONTROLLO ELLETTRICO

MT 1440 PRIVILEGE
MT 1440 EP PRIVILEGE
MT 1440 A PRIVILEGE
MT 1840 PRIVILEGE
MT 1840 EP PRIVILEGE
MT 1840 A PRIVILEGE



P.A.G. illus

08 / 12 / 06

Item	Part No.	Name	Characteristics	Qty	Superseded PartNumber	Product Type
0	278126	Gear box		1		MT 1840 EP PRIVILEGE, MT 1440 A PRIVILEGE, MT 1440 PRIVILEGE, MT 1840 A PRIVILEGE, MT 1840 PRIVILEGE, MT 1440 EP PRIVILEGE
1	746196	Electrical control valve		1		MT 1840 EP PRIVILEGE, MT 1440 A PRIVILEGE, MT 1440 PRIVILEGE, MT 1840 A PRIVILEGE, MT 1840 PRIVILEGE, MT 1440 EP PRIVILEGE
2	746197	Screw		4		MT 1840 EP PRIVILEGE, MT 1440 A PRIVILEGE, MT 1440 PRIVILEGE, MT 1840 A PRIVILEGE, MT 1840 PRIVILEGE, MT 1440 EP PRIVILEGE
3	42325	Washer		4		MT 1840 EP PRIVILEGE, MT 1440 A PRIVILEGE, MT 1440 PRIVILEGE, MT 1840 A PRIVILEGE, MT 1840 PRIVILEGE, MT 1440 EP PRIVILEGE
4	746182	Gasket		1		MT 1840 EP PRIVILEGE, MT 1440 A PRIVILEGE, MT 1440 PRIVILEGE, MT 1840 A PRIVILEGE, MT 1840 PRIVILEGE, MT 1440 EP PRIVILEGE
5	746183	Spacer		1		MT 1840 EP PRIVILEGE, MT 1440 A PRIVILEGE, MT 1440 PRIVILEGE, MT 1840 A PRIVILEGE, MT 1840 PRIVILEGE, MT 1440 EP PRIVILEGE
6	745827	Gasket		1		MT 1840 EP PRIVILEGE, MT 1440 A PRIVILEGE, MT 1440 PRIVILEGE, MT 1840 A PRIVILEGE, MT 1840 PRIVILEGE, MT 1440 EP PRIVILEGE

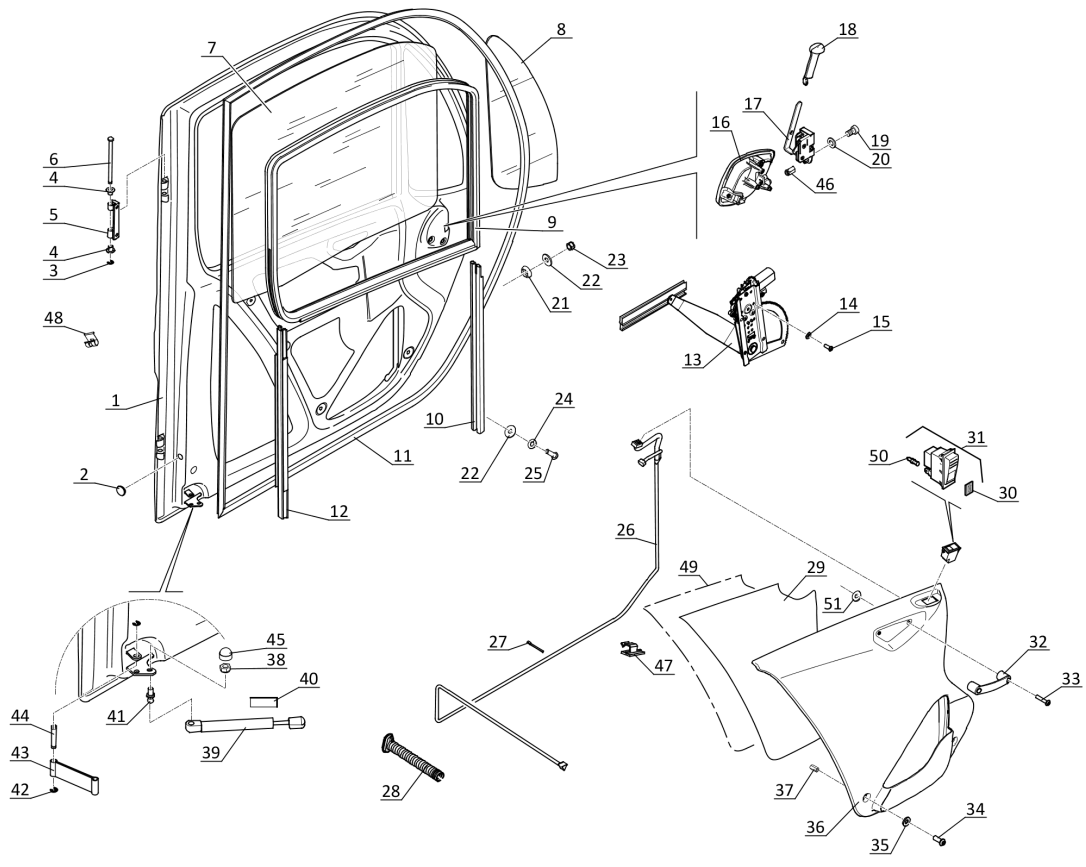
8 AB 1006

POUR TYPE DE CABINE
FÜR KABINE TYPEN
PARA TIPO DE CABINA
FOR CAB TYPE
PER TIPO DI CABINA
□ 277 581

A PARTIR DE LA MACHINE
AB DER MASCHINE
A PARTIR DE LA MACCHINA
FROM MACHINE
A PARTIR DA MACCHINA
→ N° 259 085

CABINE (Détails)
KABINE (Einzelteile)
CABINA (Detalles)
CAB (Details)
CABINA (Dettaglio)

MT 1440 H PRIVILEGE
MT 1840 H PRIVILEGE



P.A.O. Illus

15 / 01 / 10

Item	Part No.	Name	Characteristics	Qty	Superseded PartNumber	Product Type
0	308232	Cab		1		MT 1440 R PRIVILEGE, MT 1840 EP PRIVILEGE, MT 1440 A PRIVILEGE, MT 1440 PRIVILEGE, MT 1840 R PRIVILEGE, MT 1440 H A PRIVILEGE, MT 1840 A PRIVILEGE, MT 1840 H A PRIVILEGE, MT 1840 PRIVILEGE, MT 1440 EP PRIVILEGE
1	787507	Pre-trimmed door		1	746462	MT 1440 R PRIVILEGE, MT 1840 EP PRIVILEGE, MT 1440 A PRIVILEGE, MT 1440 PRIVILEGE, MT 1840 R PRIVILEGE, MT 1440 H A PRIVILEGE, MT 1840 A PRIVILEGE, MT 1840 H A PRIVILEGE, MT 1840 PRIVILEGE, MT 1440 EP PRIVILEGE
2	746463	plug		1		MT 1440 R PRIVILEGE, MT 1840 EP PRIVILEGE, MT 1440 A PRIVILEGE, MT 1440 PRIVILEGE, MT 1840 R PRIVILEGE, MT 1440 H A PRIVILEGE, MT 1840 A PRIVILEGE, MT 1840 H A PRIVILEGE, MT 1840 PRIVILEGE, MT 1440 EP PRIVILEGE
3	72437	Circlip		2		MT 1440 R PRIVILEGE, MT 1840 EP PRIVILEGE, MT 1440 A PRIVILEGE, MT 1440 PRIVILEGE, MT 1840 R PRIVILEGE, MT 1440 H A PRIVILEGE, MT 1840 A PRIVILEGE, MT 1840 H A PRIVILEGE, MT 1840 PRIVILEGE, MT 1440 EP PRIVILEGE
4	746464	Bearing		4		MT 1440 R PRIVILEGE, MT 1840 EP PRIVILEGE, MT 1440 A PRIVILEGE, MT 1440 PRIVILEGE, MT 1840 R PRIVILEGE, MT 1440 H A PRIVILEGE, MT 1840 A PRIVILEGE, MT 1840 H A PRIVILEGE, MT 1840 PRIVILEGE, MT 1440 EP PRIVILEGE
5	746465	Hinge		2		MT 1440 R PRIVILEGE, MT 1840 EP PRIVILEGE, MT 1440 A PRIVILEGE, MT 1440 PRIVILEGE, MT 1840 R PRIVILEGE, MT 1440 H A PRIVILEGE, MT 1840 A PRIVILEGE, MT 1840 H A PRIVILEGE, MT 1840 PRIVILEGE, MT 1440 EP PRIVILEGE
6	746466	Pin		2		MT 1440 R PRIVILEGE, MT 1840 EP PRIVILEGE, MT 1440 A PRIVILEGE, MT 1440 PRIVILEGE, MT 1840 R PRIVILEGE, MT 1440 H A PRIVILEGE, MT 1840 A PRIVILEGE, MT 1840 H A PRIVILEGE, MT 1840 PRIVILEGE, MT 1440 EP PRIVILEGE
7	940553	Glass		1		MT 1440 R PRIVILEGE, MT 1840 EP PRIVILEGE, MT 1440 A PRIVILEGE, MT 1440 PRIVILEGE, MT 1840 R PRIVILEGE, MT 1440 H A PRIVILEGE, MT 1840 A PRIVILEGE, MT 1840 H A PRIVILEGE, MT 1840 PRIVILEGE, MT 1440 EP PRIVILEGE
8	704996	Glass		1		MT 1440 R PRIVILEGE, MT 1840 EP PRIVILEGE, MT 1440 A PRIVILEGE, MT 1440 PRIVILEGE, MT 1840 R PRIVILEGE, MT 1440 H A PRIVILEGE, MT 1840 A PRIVILEGE, MT 1840 H A PRIVILEGE, MT 1840 PRIVILEGE, MT 1440 EP PRIVILEGE
9	746467	Seal		1		MT 1440 R PRIVILEGE, MT 1840 EP PRIVILEGE, MT 1440 A PRIVILEGE, MT 1440 PRIVILEGE, MT 1840 R PRIVILEGE, MT 1440 H A PRIVILEGE, MT 1840 A PRIVILEGE, MT 1840 H A PRIVILEGE, MT 1840 PRIVILEGE, MT 1440 EP PRIVILEGE
10	746468	Seal		1		MT 1440 R PRIVILEGE, MT 1840 EP PRIVILEGE, MT 1440 A PRIVILEGE, MT 1440 PRIVILEGE, MT 1840 R PRIVILEGE, MT 1440 H A PRIVILEGE, MT 1840 A PRIVILEGE, MT 1840 H A PRIVILEGE, MT 1840 PRIVILEGE, MT 1440 EP PRIVILEGE

Item	Part No.	Name	Characteristics	Qty	Superseded PartNumber	Product Type
11	746469	Seal		1		MT 1440 R PRIVILEGE, MT 1840 EP PRIVILEGE, MT 1440 A PRIVILEGE, MT 1440 PRIVILEGE, MT 1840 R PRIVILEGE, MT 1440 H A PRIVILEGE, MT 1840 A PRIVILEGE, MT 1840 H A PRIVILEGE, MT 1840 PRIVILEGE, MT 1440 EP PRIVILEGE
12	958978	Kit		1		MT 1440 R PRIVILEGE, MT 1840 EP PRIVILEGE, MT 1440 A PRIVILEGE, MT 1440 PRIVILEGE, MT 1840 R PRIVILEGE, MT 1440 H A PRIVILEGE, MT 1840 A PRIVILEGE, MT 1840 H A PRIVILEGE, MT 1840 PRIVILEGE, MT 1440 EP PRIVILEGE
13	947376	Motor		1		MT 1440 R PRIVILEGE, MT 1840 EP PRIVILEGE, MT 1440 A PRIVILEGE, MT 1440 PRIVILEGE, MT 1840 R PRIVILEGE, MT 1440 H A PRIVILEGE, MT 1840 A PRIVILEGE, MT 1840 H A PRIVILEGE, MT 1840 PRIVILEGE, MT 1440 EP PRIVILEGE
14	174132	Washer	M6	4		MT 1440 R PRIVILEGE, MT 1840 EP PRIVILEGE, MT 1440 A PRIVILEGE, MT 1440 PRIVILEGE, MT 1840 R PRIVILEGE, MT 1440 H A PRIVILEGE, MT 1840 A PRIVILEGE, MT 1840 H A PRIVILEGE, MT 1840 PRIVILEGE, MT 1440 EP PRIVILEGE
15	196951	Screw	M6	4		MT 1440 R PRIVILEGE, MT 1840 EP PRIVILEGE, MT 1440 A PRIVILEGE, MT 1440 PRIVILEGE, MT 1840 R PRIVILEGE, MT 1440 H A PRIVILEGE, MT 1840 A PRIVILEGE, MT 1840 H A PRIVILEGE, MT 1840 PRIVILEGE, MT 1440 EP PRIVILEGE
16	746472	Handle		1		MT 1440 R PRIVILEGE, MT 1840 EP PRIVILEGE, MT 1440 A PRIVILEGE, MT 1440 PRIVILEGE, MT 1840 R PRIVILEGE, MT 1440 H A PRIVILEGE, MT 1840 A PRIVILEGE, MT 1840 H A PRIVILEGE, MT 1840 PRIVILEGE, MT 1440 EP PRIVILEGE
17	746473	Lock	5 FIXATIONS	1		MT 1440 R PRIVILEGE, MT 1840 EP PRIVILEGE, MT 1440 A PRIVILEGE, MT 1440 PRIVILEGE, MT 1840 R PRIVILEGE, MT 1440 H A PRIVILEGE, MT 1840 A PRIVILEGE, MT 1840 H A PRIVILEGE, MT 1840 PRIVILEGE, MT 1440 EP PRIVILEGE
18	746474	Handle		1		MT 1440 R PRIVILEGE, MT 1840 EP PRIVILEGE, MT 1440 A PRIVILEGE, MT 1440 PRIVILEGE, MT 1840 R PRIVILEGE, MT 1440 H A PRIVILEGE, MT 1840 A PRIVILEGE, MT 1840 H A PRIVILEGE, MT 1840 PRIVILEGE, MT 1440 EP PRIVILEGE
19	746372	Screw	M6	2		MT 1440 R PRIVILEGE, MT 1840 EP PRIVILEGE, MT 1440 A PRIVILEGE, MT 1440 PRIVILEGE, MT 1840 R PRIVILEGE, MT 1440 H A PRIVILEGE, MT 1840 A PRIVILEGE, MT 1840 H A PRIVILEGE, MT 1840 PRIVILEGE, MT 1440 EP PRIVILEGE
20	174132	Washer	M6	2		MT 1440 R PRIVILEGE, MT 1840 EP PRIVILEGE, MT 1440 A PRIVILEGE, MT 1440 PRIVILEGE, MT 1840 R PRIVILEGE, MT 1440 H A PRIVILEGE, MT 1840 A PRIVILEGE, MT 1840 H A PRIVILEGE, MT 1840 PRIVILEGE, MT 1440 EP PRIVILEGE
21	706997	Washer		1		MT 1440 R PRIVILEGE, MT 1840 EP PRIVILEGE, MT 1440 A PRIVILEGE, MT 1440 PRIVILEGE, MT 1840 R PRIVILEGE, MT 1440 H A PRIVILEGE, MT 1840 A PRIVILEGE, MT 1840 H A PRIVILEGE, MT 1840 PRIVILEGE, MT 1440 EP PRIVILEGE

Item	Part No.	Name	Characteristics	Qty	Superseded PartNumber	Product Type
22	29469	Washer	M6	2		MT 1440 R PRIVILEGE, MT 1840 EP PRIVILEGE, MT 1440 A PRIVILEGE, MT 1440 PRIVILEGE, MT 1840 R PRIVILEGE, MT 1440 H A PRIVILEGE, MT 1840 A PRIVILEGE, MT 1840 H A PRIVILEGE, MT 1840 PRIVILEGE, MT 1440 EP PRIVILEGE
23	162229	Nut	M6	1		MT 1440 R PRIVILEGE, MT 1840 EP PRIVILEGE, MT 1440 A PRIVILEGE, MT 1440 PRIVILEGE, MT 1840 R PRIVILEGE, MT 1440 H A PRIVILEGE, MT 1840 A PRIVILEGE, MT 1840 H A PRIVILEGE, MT 1840 PRIVILEGE, MT 1440 EP PRIVILEGE
24	174132	Washer	M6	1		MT 1440 R PRIVILEGE, MT 1840 EP PRIVILEGE, MT 1440 A PRIVILEGE, MT 1440 PRIVILEGE, MT 1840 R PRIVILEGE, MT 1440 H A PRIVILEGE, MT 1840 A PRIVILEGE, MT 1840 H A PRIVILEGE, MT 1840 PRIVILEGE, MT 1440 EP PRIVILEGE
25	205275	Screw	M6	1		MT 1440 R PRIVILEGE, MT 1840 EP PRIVILEGE, MT 1440 A PRIVILEGE, MT 1440 PRIVILEGE, MT 1840 R PRIVILEGE, MT 1440 H A PRIVILEGE, MT 1840 A PRIVILEGE, MT 1840 H A PRIVILEGE, MT 1840 PRIVILEGE, MT 1440 EP PRIVILEGE
26	746475	Wiring		1		MT 1440 R PRIVILEGE, MT 1840 EP PRIVILEGE, MT 1440 A PRIVILEGE, MT 1440 PRIVILEGE, MT 1840 R PRIVILEGE, MT 1440 H A PRIVILEGE, MT 1840 A PRIVILEGE, MT 1840 H A PRIVILEGE, MT 1840 PRIVILEGE, MT 1440 EP PRIVILEGE
27	551541	Retainer		4		MT 1440 R PRIVILEGE, MT 1840 EP PRIVILEGE, MT 1440 A PRIVILEGE, MT 1440 PRIVILEGE, MT 1840 R PRIVILEGE, MT 1440 H A PRIVILEGE, MT 1840 A PRIVILEGE, MT 1840 H A PRIVILEGE, MT 1840 PRIVILEGE, MT 1440 EP PRIVILEGE
28	746476	Flexible Dust Cover		1		MT 1440 R PRIVILEGE, MT 1840 EP PRIVILEGE, MT 1440 A PRIVILEGE, MT 1440 PRIVILEGE, MT 1840 R PRIVILEGE, MT 1440 H A PRIVILEGE, MT 1840 A PRIVILEGE, MT 1840 H A PRIVILEGE, MT 1840 PRIVILEGE, MT 1440 EP PRIVILEGE
29	746477	Guard		1		MT 1440 R PRIVILEGE, MT 1840 EP PRIVILEGE, MT 1440 A PRIVILEGE, MT 1440 PRIVILEGE, MT 1840 R PRIVILEGE, MT 1440 H A PRIVILEGE, MT 1840 A PRIVILEGE, MT 1840 H A PRIVILEGE, MT 1840 PRIVILEGE, MT 1440 EP PRIVILEGE
30	747802	Lens		1		MT 1440 R PRIVILEGE, MT 1840 EP PRIVILEGE, MT 1440 A PRIVILEGE, MT 1440 PRIVILEGE, MT 1840 R PRIVILEGE, MT 1440 H A PRIVILEGE, MT 1840 A PRIVILEGE, MT 1840 H A PRIVILEGE, MT 1840 PRIVILEGE, MT 1440 EP PRIVILEGE
31	746479	Switch		1		MT 1440 R PRIVILEGE, MT 1840 EP PRIVILEGE, MT 1440 A PRIVILEGE, MT 1440 PRIVILEGE, MT 1840 R PRIVILEGE, MT 1440 H A PRIVILEGE, MT 1840 A PRIVILEGE, MT 1840 H A PRIVILEGE, MT 1840 PRIVILEGE, MT 1440 EP PRIVILEGE
32	746480	Handle		1		MT 1440 R PRIVILEGE, MT 1840 EP PRIVILEGE, MT 1440 A PRIVILEGE, MT 1440 PRIVILEGE, MT 1840 R PRIVILEGE, MT 1440 H A PRIVILEGE, MT 1840 A PRIVILEGE, MT 1840 H A PRIVILEGE, MT 1840 PRIVILEGE, MT 1440 EP PRIVILEGE

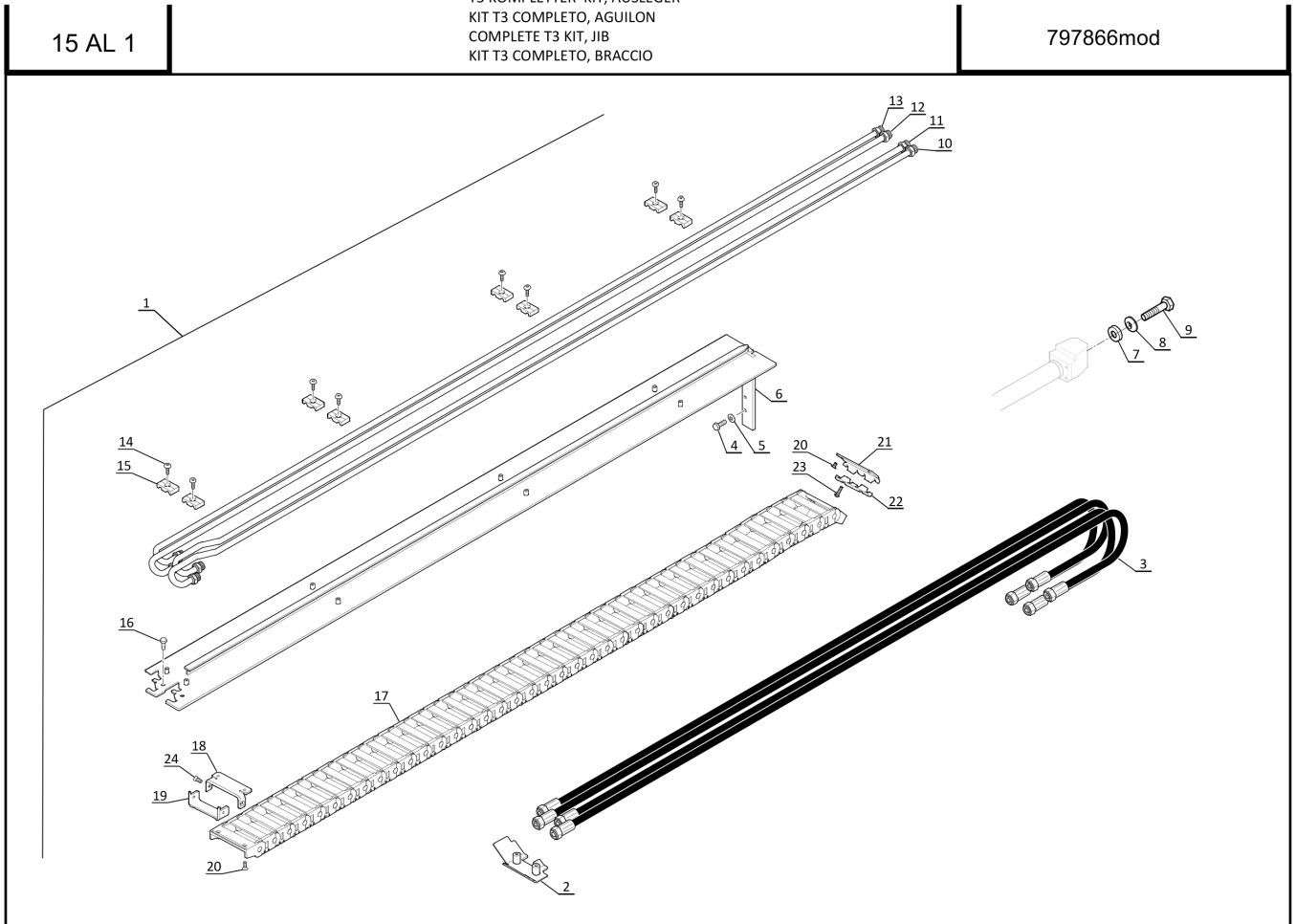
Item	Part No.	Name	Characteristics	Qty	Superseded PartNumber	Product Type
33	196676	Screw	HM6	2		MT 1440 R PRIVILEGE, MT 1840 EP PRIVILEGE, MT 1440 A PRIVILEGE, MT 1440 PRIVILEGE, MT 1840 R PRIVILEGE, MT 1440 H A PRIVILEGE, MT 1840 A PRIVILEGE, MT 1840 H A PRIVILEGE, MT 1840 PRIVILEGE, MT 1440 EP PRIVILEGE
34	189172	Screw	M6	2		MT 1440 R PRIVILEGE, MT 1840 EP PRIVILEGE, MT 1440 A PRIVILEGE, MT 1440 PRIVILEGE, MT 1840 R PRIVILEGE, MT 1440 H A PRIVILEGE, MT 1840 A PRIVILEGE, MT 1840 H A PRIVILEGE, MT 1840 PRIVILEGE, MT 1440 EP PRIVILEGE
35	194673	Washer		2		MT 1440 R PRIVILEGE, MT 1840 EP PRIVILEGE, MT 1440 A PRIVILEGE, MT 1440 PRIVILEGE, MT 1840 R PRIVILEGE, MT 1440 H A PRIVILEGE, MT 1840 A PRIVILEGE, MT 1840 H A PRIVILEGE, MT 1840 PRIVILEGE, MT 1440 EP PRIVILEGE
36	264635	Covering		1		MT 1440 R PRIVILEGE, MT 1840 EP PRIVILEGE, MT 1440 A PRIVILEGE, MT 1440 PRIVILEGE, MT 1840 R PRIVILEGE, MT 1440 H A PRIVILEGE, MT 1840 A PRIVILEGE, MT 1840 H A PRIVILEGE, MT 1840 PRIVILEGE, MT 1440 EP PRIVILEGE
37	600969	Insert		2		MT 1440 R PRIVILEGE, MT 1840 EP PRIVILEGE, MT 1440 A PRIVILEGE, MT 1440 PRIVILEGE, MT 1840 R PRIVILEGE, MT 1440 H A PRIVILEGE, MT 1840 A PRIVILEGE, MT 1840 H A PRIVILEGE, MT 1840 PRIVILEGE, MT 1440 EP PRIVILEGE
38	54242	Nut	M8	1		MT 1440 R PRIVILEGE, MT 1840 EP PRIVILEGE, MT 1440 A PRIVILEGE, MT 1440 PRIVILEGE, MT 1840 R PRIVILEGE, MT 1440 H A PRIVILEGE, MT 1840 A PRIVILEGE, MT 1840 H A PRIVILEGE, MT 1840 PRIVILEGE, MT 1440 EP PRIVILEGE
39	745378	Damper		1		MT 1440 R PRIVILEGE, MT 1840 EP PRIVILEGE, MT 1440 A PRIVILEGE, MT 1440 PRIVILEGE, MT 1840 R PRIVILEGE, MT 1440 H A PRIVILEGE, MT 1840 A PRIVILEGE, MT 1840 H A PRIVILEGE, MT 1840 PRIVILEGE, MT 1440 EP PRIVILEGE
40	746482	Adhesive		1		MT 1440 R PRIVILEGE, MT 1840 EP PRIVILEGE, MT 1440 A PRIVILEGE, MT 1440 PRIVILEGE, MT 1840 R PRIVILEGE, MT 1440 H A PRIVILEGE, MT 1840 A PRIVILEGE, MT 1840 H A PRIVILEGE, MT 1840 PRIVILEGE, MT 1440 EP PRIVILEGE
41	63200	Retainer		1		MT 1440 R PRIVILEGE, MT 1840 EP PRIVILEGE, MT 1440 A PRIVILEGE, MT 1440 PRIVILEGE, MT 1840 R PRIVILEGE, MT 1440 H A PRIVILEGE, MT 1840 A PRIVILEGE, MT 1840 H A PRIVILEGE, MT 1840 PRIVILEGE, MT 1440 EP PRIVILEGE
42	72437	Circlip		2		MT 1440 R PRIVILEGE, MT 1840 EP PRIVILEGE, MT 1440 A PRIVILEGE, MT 1440 PRIVILEGE, MT 1840 R PRIVILEGE, MT 1440 H A PRIVILEGE, MT 1840 A PRIVILEGE, MT 1840 H A PRIVILEGE, MT 1840 PRIVILEGE, MT 1440 EP PRIVILEGE
43	947068	WEBBING		1	746483	MT 1440 R PRIVILEGE, MT 1840 EP PRIVILEGE, MT 1440 A PRIVILEGE, MT 1440 PRIVILEGE, MT 1840 R PRIVILEGE, MT 1440 H A PRIVILEGE, MT 1840 A PRIVILEGE, MT 1840 H A PRIVILEGE, MT 1840 PRIVILEGE, MT 1440 EP PRIVILEGE

Item	Part No.	Name	Characteristics	Qty	Superseded PartNumber	Product Type
44	72436	Pin		1		MT 1440 R PRIVILEGE, MT 1840 EP PRIVILEGE, MT 1440 A PRIVILEGE, MT 1440 PRIVILEGE, MT 1840 R PRIVILEGE, MT 1440 H A PRIVILEGE, MT 1840 A PRIVILEGE, MT 1840 H A PRIVILEGE, MT 1840 PRIVILEGE, MT 1440 EP PRIVILEGE
45	166702	Plug		1		MT 1440 R PRIVILEGE, MT 1840 EP PRIVILEGE, MT 1440 A PRIVILEGE, MT 1440 PRIVILEGE, MT 1840 R PRIVILEGE, MT 1440 H A PRIVILEGE, MT 1840 A PRIVILEGE, MT 1840 H A PRIVILEGE, MT 1840 PRIVILEGE, MT 1440 EP PRIVILEGE
46	563829	Insert	M6	1		MT 1440 R PRIVILEGE, MT 1840 EP PRIVILEGE, MT 1440 A PRIVILEGE, MT 1440 PRIVILEGE, MT 1840 R PRIVILEGE, MT 1440 H A PRIVILEGE, MT 1840 A PRIVILEGE, MT 1840 H A PRIVILEGE, MT 1840 PRIVILEGE, MT 1440 EP PRIVILEGE
47	174982	Clip		1	561531	MT 1440 R PRIVILEGE, MT 1840 EP PRIVILEGE, MT 1440 A PRIVILEGE, MT 1440 PRIVILEGE, MT 1840 R PRIVILEGE, MT 1440 H A PRIVILEGE, MT 1840 A PRIVILEGE, MT 1840 H A PRIVILEGE, MT 1840 PRIVILEGE, MT 1440 EP PRIVILEGE
48	747303	Retainer		1		MT 1440 R PRIVILEGE, MT 1840 EP PRIVILEGE, MT 1440 A PRIVILEGE, MT 1440 PRIVILEGE, MT 1840 R PRIVILEGE, MT 1440 H A PRIVILEGE, MT 1840 A PRIVILEGE, MT 1840 H A PRIVILEGE, MT 1840 PRIVILEGE, MT 1440 EP PRIVILEGE
49	182038	Seal		1		MT 1440 R PRIVILEGE, MT 1840 EP PRIVILEGE, MT 1440 A PRIVILEGE, MT 1440 PRIVILEGE, MT 1840 R PRIVILEGE, MT 1440 H A PRIVILEGE, MT 1840 A PRIVILEGE, MT 1840 H A PRIVILEGE, MT 1840 PRIVILEGE, MT 1440 EP PRIVILEGE
50	170836	Bulb		1		MT 1440 R PRIVILEGE, MT 1840 EP PRIVILEGE, MT 1440 A PRIVILEGE, MT 1440 PRIVILEGE, MT 1840 R PRIVILEGE, MT 1440 H A PRIVILEGE, MT 1840 A PRIVILEGE, MT 1840 H A PRIVILEGE, MT 1840 PRIVILEGE, MT 1440 EP PRIVILEGE
51	748470	Washer		2		MT 1440 R PRIVILEGE, MT 1840 EP PRIVILEGE, MT 1440 A PRIVILEGE, MT 1440 PRIVILEGE, MT 1840 R PRIVILEGE, MT 1440 H A PRIVILEGE, MT 1840 A PRIVILEGE, MT 1840 H A PRIVILEGE, MT 1840 PRIVILEGE, MT 1440 EP PRIVILEGE

15 AL 1

KIT T3 COMPLET, FLECHE
T3 KOMPLETTER KIT, AUSLEGER
KIT T3 COMPLETO, AGUILON
COMPLETE T3 KIT, JIB
KIT T3 COMPLETO, BRACCIO

797866mod



P.A.O.illus

13 / 04 / 12

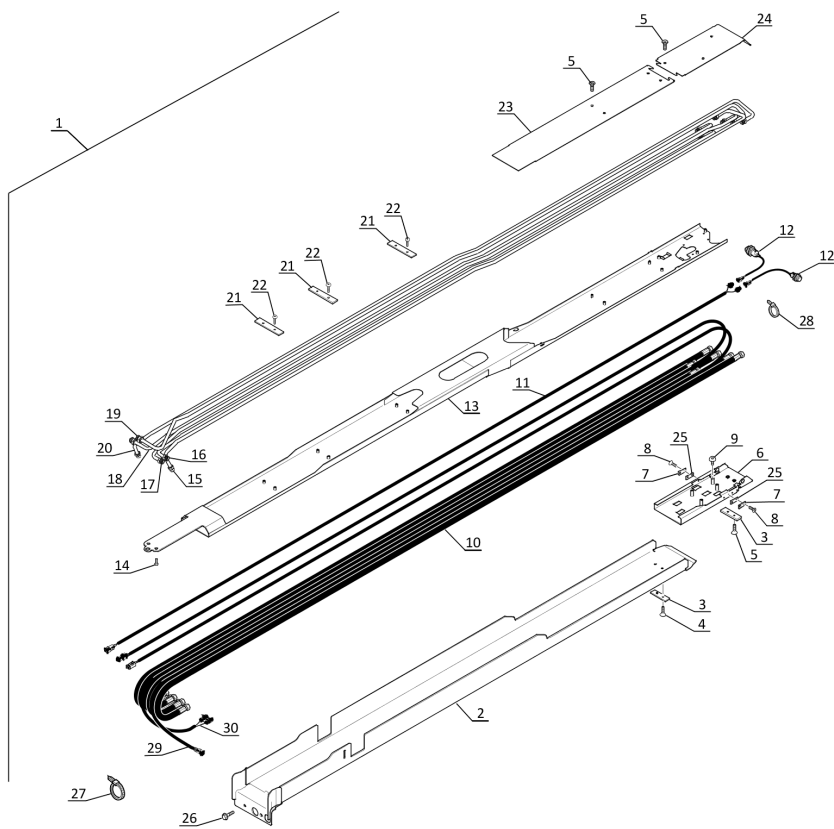
Item	Part No.	Name	Characteristics	Qty	Superseded PartNumber	Product Type
1	298649	Complete boom telescope III kit		1		MT 1840 EP PRIVILEGE, MT 1840 R PRIVILEGE, MT 1840 A PRIVILEGE, MT 1840 H A PRIVILEGE, MT 1840 PRIVILEGE, MT 1840 H PRIVILEGE
2	259847	Bracket		1		MT 1840 EP PRIVILEGE, MT 1840 R PRIVILEGE, MT 1840 A PRIVILEGE, MT 1840 H A PRIVILEGE, MT 1840 PRIVILEGE, MT 1840 H PRIVILEGE
3	260514	Hose		1		MT 1840 EP PRIVILEGE, MT 1840 R PRIVILEGE, MT 1840 A PRIVILEGE, MT 1840 H A PRIVILEGE, MT 1840 PRIVILEGE, MT 1840 H PRIVILEGE
4	261504	Screw	HM8	1		MT 1840 EP PRIVILEGE, MT 1840 R PRIVILEGE, MT 1840 A PRIVILEGE, MT 1840 H A PRIVILEGE, MT 1840 PRIVILEGE, MT 1840 H PRIVILEGE
5	208524	Washer	Z8	1		MT 1840 EP PRIVILEGE, MT 1840 R PRIVILEGE, MT 1840 A PRIVILEGE, MT 1840 H A PRIVILEGE, MT 1840 PRIVILEGE, MT 1840 H PRIVILEGE
6	259810	Tube bracket		1		MT 1840 EP PRIVILEGE, MT 1840 R PRIVILEGE, MT 1840 A PRIVILEGE, MT 1840 H A PRIVILEGE, MT 1840 PRIVILEGE, MT 1840 H PRIVILEGE
7	273997	Concave washer		1		MT 1840 EP PRIVILEGE, MT 1840 R PRIVILEGE, MT 1840 A PRIVILEGE, MT 1840 H A PRIVILEGE, MT 1840 PRIVILEGE, MT 1840 H PRIVILEGE
8	273999	Convexe washer		1		MT 1840 EP PRIVILEGE, MT 1840 R PRIVILEGE, MT 1840 A PRIVILEGE, MT 1840 H A PRIVILEGE, MT 1840 PRIVILEGE, MT 1840 H PRIVILEGE
9	257120	Screw		1		MT 1840 EP PRIVILEGE, MT 1840 R PRIVILEGE, MT 1840 A PRIVILEGE, MT 1840 H A PRIVILEGE, MT 1840 PRIVILEGE, MT 1840 H PRIVILEGE
10	259859	Tube		1		MT 1840 EP PRIVILEGE, MT 1840 R PRIVILEGE, MT 1840 A PRIVILEGE, MT 1840 H A PRIVILEGE, MT 1840 PRIVILEGE, MT 1840 H PRIVILEGE
11	259858	Tube		1		MT 1840 EP PRIVILEGE, MT 1840 R PRIVILEGE, MT 1840 A PRIVILEGE, MT 1840 H A PRIVILEGE, MT 1840 PRIVILEGE, MT 1840 H PRIVILEGE
12	259857	Tube		1		MT 1840 EP PRIVILEGE, MT 1840 R PRIVILEGE, MT 1840 A PRIVILEGE, MT 1840 H A PRIVILEGE, MT 1840 PRIVILEGE, MT 1840 H PRIVILEGE
13	259856	Tube		1		MT 1840 EP PRIVILEGE, MT 1840 R PRIVILEGE, MT 1840 A PRIVILEGE, MT 1840 H A PRIVILEGE, MT 1840 PRIVILEGE, MT 1840 H PRIVILEGE
14	261493	Screw	M8	1		MT 1840 EP PRIVILEGE, MT 1840 R PRIVILEGE, MT 1840 A PRIVILEGE, MT 1840 H A PRIVILEGE, MT 1840 PRIVILEGE, MT 1840 H PRIVILEGE
15	168758	Half clamp		1		MT 1840 EP PRIVILEGE, MT 1840 R PRIVILEGE, MT 1840 A PRIVILEGE, MT 1840 H A PRIVILEGE, MT 1840 PRIVILEGE, MT 1840 H PRIVILEGE
16	261503	Screw		1		MT 1840 EP PRIVILEGE, MT 1840 R PRIVILEGE, MT 1840 A PRIVILEGE, MT 1840 H A PRIVILEGE, MT 1840 PRIVILEGE, MT 1840 H PRIVILEGE

Item	Part No.	Name	Characteristics	Qty	Superseded PartNumber	Product Type
17	293826	Chain		1		MT 1840 EP PRIVILEGE, MT 1840 R PRIVILEGE, MT 1840 A PRIVILEGE, MT 1840 H A PRIVILEGE, MT 1840 PRIVILEGE, MT 1840 H PRIVILEGE
18	293800	Sheat		1		MT 1840 EP PRIVILEGE, MT 1840 R PRIVILEGE, MT 1840 A PRIVILEGE, MT 1840 H A PRIVILEGE, MT 1840 PRIVILEGE, MT 1840 H PRIVILEGE
19	293811	Fastening plate		1		MT 1840 EP PRIVILEGE, MT 1840 R PRIVILEGE, MT 1840 A PRIVILEGE, MT 1840 H A PRIVILEGE, MT 1840 PRIVILEGE, MT 1840 H PRIVILEGE
20	302468	Screw	FHc,M6-10, M6	1		MT 1840 EP PRIVILEGE, MT 1840 R PRIVILEGE, MT 1840 A PRIVILEGE, MT 1840 H A PRIVILEGE, MT 1840 PRIVILEGE, MT 1840 H PRIVILEGE
21	293818	Sheat		1		MT 1840 EP PRIVILEGE, MT 1840 R PRIVILEGE, MT 1840 A PRIVILEGE, MT 1840 H A PRIVILEGE, MT 1840 PRIVILEGE, MT 1840 H PRIVILEGE
22	279223	Half-flange		1		MT 1840 EP PRIVILEGE, MT 1840 R PRIVILEGE, MT 1840 A PRIVILEGE, MT 1840 H A PRIVILEGE, MT 1840 PRIVILEGE, MT 1840 H PRIVILEGE
23	261494	Screw		1		MT 1840 EP PRIVILEGE, MT 1840 R PRIVILEGE, MT 1840 A PRIVILEGE, MT 1840 H A PRIVILEGE, MT 1840 PRIVILEGE, MT 1840 H PRIVILEGE
24	302470	Screw		1		MT 1840 EP PRIVILEGE, MT 1840 R PRIVILEGE, MT 1840 A PRIVILEGE, MT 1840 H A PRIVILEGE, MT 1840 PRIVILEGE, MT 1840 H PRIVILEGE

15 AL2

KIT T1 + T2 COMPLET, FLECHE
T1 + T2 KOMPLETTER KIT, AUSLEGER
KIT T1 + T2 COMPLETO, AGUILON
COMPLETE T1 +T2 KIT, JIB
KIT T1 + T2 COMPLETO, BRACCIO

797866mod



13 / 04 / 12
P.A.O.illus

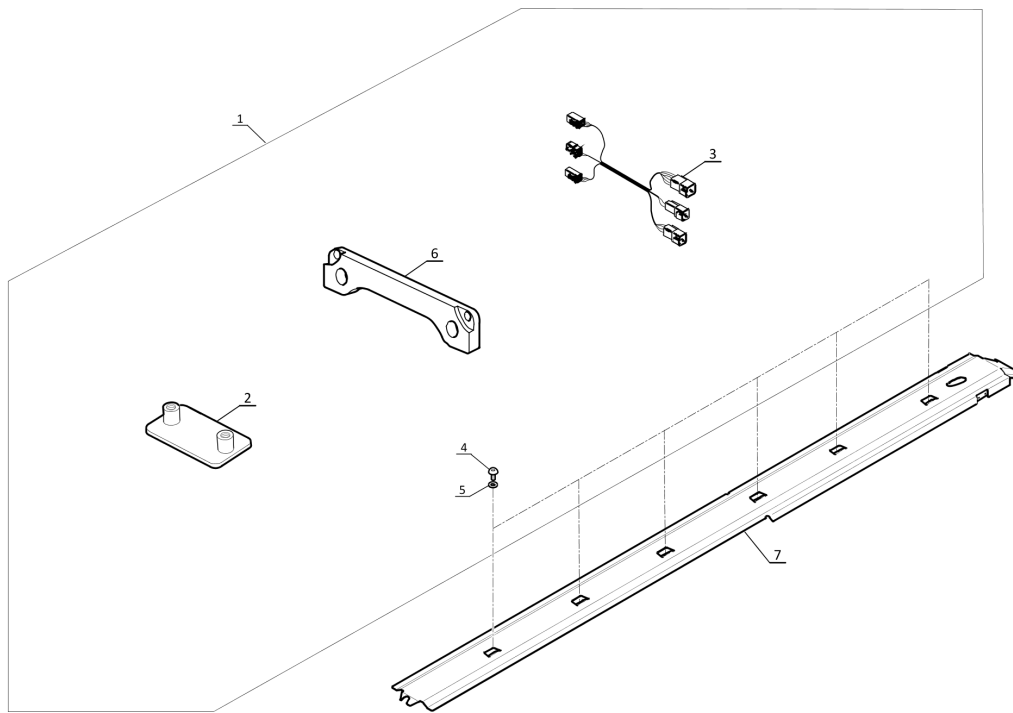
Item	Part No.	Name	Characteristics	Qty	Superseded PartNumber	Product Type
1	300210	Complete II boom telescope + I boom telescope kit		1		MT 1840 EP PRIVILEGE, MT 1840 R PRIVILEGE, MT 1840 A PRIVILEGE, MT 1840 H A PRIVILEGE, MT 1840 PRIVILEGE, MT 1840 H PRIVILEGE
2	281706	Drain trough		1		MT 1840 EP PRIVILEGE, MT 1840 R PRIVILEGE, MT 1840 A PRIVILEGE, MT 1840 H A PRIVILEGE, MT 1840 PRIVILEGE, MT 1840 H PRIVILEGE
3	259792	sliding block		1		MT 1840 EP PRIVILEGE, MT 1840 R PRIVILEGE, MT 1840 A PRIVILEGE, MT 1840 H A PRIVILEGE, MT 1840 PRIVILEGE, MT 1840 H PRIVILEGE
4	261498	Screw	M6	1		MT 1840 EP PRIVILEGE, MT 1840 R PRIVILEGE, MT 1840 A PRIVILEGE, MT 1840 H A PRIVILEGE, MT 1840 PRIVILEGE, MT 1840 H PRIVILEGE
5	261499	Screw	M6	1		MT 1840 EP PRIVILEGE, MT 1840 R PRIVILEGE, MT 1840 A PRIVILEGE, MT 1840 H A PRIVILEGE, MT 1840 PRIVILEGE, MT 1840 H PRIVILEGE
6	259689	Housing		1		MT 1840 EP PRIVILEGE, MT 1840 R PRIVILEGE, MT 1840 A PRIVILEGE, MT 1840 H A PRIVILEGE, MT 1840 PRIVILEGE, MT 1840 H PRIVILEGE
7	281782	Shoe		1		MT 1840 EP PRIVILEGE, MT 1840 R PRIVILEGE, MT 1840 A PRIVILEGE, MT 1840 H A PRIVILEGE, MT 1840 PRIVILEGE, MT 1840 H PRIVILEGE
8	261497	Screw	M4	1		MT 1840 EP PRIVILEGE, MT 1840 R PRIVILEGE, MT 1840 A PRIVILEGE, MT 1840 H A PRIVILEGE, MT 1840 PRIVILEGE, MT 1840 H PRIVILEGE
9	261495	Screw	M6	1		MT 1840 EP PRIVILEGE, MT 1840 R PRIVILEGE, MT 1840 A PRIVILEGE, MT 1840 H A PRIVILEGE, MT 1840 PRIVILEGE, MT 1840 H PRIVILEGE
10	298778	Hose + Wiring harness		1		MT 1840 EP PRIVILEGE, MT 1840 R PRIVILEGE, MT 1840 A PRIVILEGE, MT 1840 H A PRIVILEGE, MT 1840 PRIVILEGE, MT 1840 H PRIVILEGE
11	276051	Wiring harness		1		MT 1840 EP PRIVILEGE, MT 1840 R PRIVILEGE, MT 1840 A PRIVILEGE, MT 1840 H A PRIVILEGE, MT 1840 PRIVILEGE, MT 1840 H PRIVILEGE
12	260638	Sensor		1		MT 1840 EP PRIVILEGE, MT 1840 R PRIVILEGE, MT 1840 A PRIVILEGE, MT 1840 H A PRIVILEGE, MT 1840 PRIVILEGE, MT 1840 H PRIVILEGE
13	277254	Drain trough		1		MT 1840 EP PRIVILEGE, MT 1840 R PRIVILEGE, MT 1840 A PRIVILEGE, MT 1840 H A PRIVILEGE, MT 1840 PRIVILEGE, MT 1840 H PRIVILEGE
14	261501	Screw	HM6	1		MT 1840 EP PRIVILEGE, MT 1840 R PRIVILEGE, MT 1840 A PRIVILEGE, MT 1840 H A PRIVILEGE, MT 1840 PRIVILEGE, MT 1840 H PRIVILEGE
15	259706	Tube		1		MT 1840 EP PRIVILEGE, MT 1840 R PRIVILEGE, MT 1840 A PRIVILEGE, MT 1840 H A PRIVILEGE, MT 1840 PRIVILEGE, MT 1840 H PRIVILEGE
16	259705	Tube		1		MT 1840 EP PRIVILEGE, MT 1840 R PRIVILEGE, MT 1840 A PRIVILEGE, MT 1840 H A PRIVILEGE, MT 1840 PRIVILEGE, MT 1840 H PRIVILEGE

Item	Part No.	Name	Characteristics	Qty	Superseded PartNumber	Product Type
17	259704	Tube		1		MT 1840 EP PRIVILEGE, MT 1840 R PRIVILEGE, MT 1840 A PRIVILEGE, MT 1840 H A PRIVILEGE, MT 1840 PRIVILEGE, MT 1840 H PRIVILEGE
18	259702	Tube		1		MT 1840 EP PRIVILEGE, MT 1840 R PRIVILEGE, MT 1840 A PRIVILEGE, MT 1840 H A PRIVILEGE, MT 1840 PRIVILEGE, MT 1840 H PRIVILEGE
19	259703	Tube		1		MT 1840 EP PRIVILEGE, MT 1840 R PRIVILEGE, MT 1840 A PRIVILEGE, MT 1840 H A PRIVILEGE, MT 1840 PRIVILEGE, MT 1840 H PRIVILEGE
20	259701	Tube		1		MT 1840 EP PRIVILEGE, MT 1840 R PRIVILEGE, MT 1840 A PRIVILEGE, MT 1840 H A PRIVILEGE, MT 1840 PRIVILEGE, MT 1840 H PRIVILEGE
21	259740	Fastening lug		1		MT 1840 EP PRIVILEGE, MT 1840 R PRIVILEGE, MT 1840 A PRIVILEGE, MT 1840 H A PRIVILEGE, MT 1840 PRIVILEGE, MT 1840 H PRIVILEGE
22	261494	Screw		1		MT 1840 EP PRIVILEGE, MT 1840 R PRIVILEGE, MT 1840 A PRIVILEGE, MT 1840 H A PRIVILEGE, MT 1840 PRIVILEGE, MT 1840 H PRIVILEGE
23	277256	Rear fastening plate		1		MT 1840 EP PRIVILEGE, MT 1840 R PRIVILEGE, MT 1840 A PRIVILEGE, MT 1840 H A PRIVILEGE, MT 1840 PRIVILEGE, MT 1840 H PRIVILEGE
24	277750	Front fastening plate		1		MT 1840 EP PRIVILEGE, MT 1840 R PRIVILEGE, MT 1840 A PRIVILEGE, MT 1840 H A PRIVILEGE, MT 1840 PRIVILEGE, MT 1840 H PRIVILEGE
25	261306	Spacer		1		MT 1840 EP PRIVILEGE, MT 1840 R PRIVILEGE, MT 1840 A PRIVILEGE, MT 1840 H A PRIVILEGE, MT 1840 PRIVILEGE, MT 1840 H PRIVILEGE
26	278893	Screw	M10	1		MT 1840 EP PRIVILEGE, MT 1840 R PRIVILEGE, MT 1840 A PRIVILEGE, MT 1840 H A PRIVILEGE, MT 1840 PRIVILEGE, MT 1840 H PRIVILEGE
27	21979	Clamp		1		MT 1840 EP PRIVILEGE, MT 1840 R PRIVILEGE, MT 1840 A PRIVILEGE, MT 1840 H A PRIVILEGE, MT 1840 PRIVILEGE, MT 1840 H PRIVILEGE
28	164856	Clamp		1		MT 1840 EP PRIVILEGE, MT 1840 R PRIVILEGE, MT 1840 A PRIVILEGE, MT 1840 H A PRIVILEGE, MT 1840 PRIVILEGE, MT 1840 H PRIVILEGE
29	297820	Wiring harness		1		MT 1840 EP PRIVILEGE, MT 1840 R PRIVILEGE, MT 1840 A PRIVILEGE, MT 1840 H A PRIVILEGE, MT 1840 PRIVILEGE, MT 1840 H PRIVILEGE
30	297822	Wiring harness		1		MT 1840 EP PRIVILEGE, MT 1840 R PRIVILEGE, MT 1840 A PRIVILEGE, MT 1840 H A PRIVILEGE, MT 1840 PRIVILEGE, MT 1840 H PRIVILEGE

15 AL 3

KIT ACCESSOIRE, FLECHE
ZUBEHOER KIT, AUSLEGER
KIT ACCESSORIO, AGUILON
ACCESSORY KIT, JIB
KIT ACCESSORIO, BRACCIO

797866mod



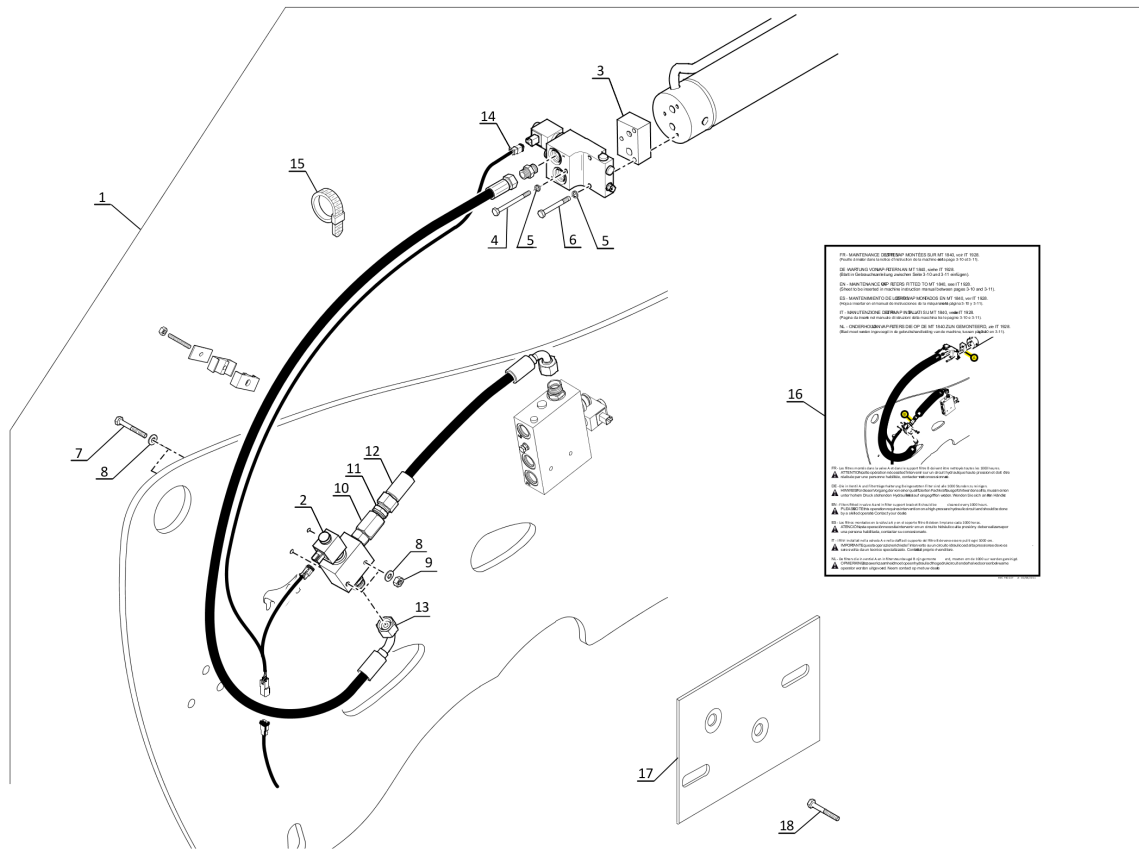
13 / 04 / 12
P.A.O.illus

Item	Part No.	Name	Characteristics	Qty	Superseded PartNumber	Product Type
1	796254	Attachments kit		1		MT 1840 EP PRIVILEGE, MT 1840 R PRIVILEGE, MT 1840 A PRIVILEGE, MT 1840 H A PRIVILEGE, MT 1840 PRIVILEGE, MT 1840 H PRIVILEGE
2	168869	Plate (To weld)		1		MT 1840 EP PRIVILEGE, MT 1840 R PRIVILEGE, MT 1840 A PRIVILEGE, MT 1840 H A PRIVILEGE, MT 1840 PRIVILEGE, MT 1840 H PRIVILEGE
3	282570	Wiring harness		1		MT 1840 EP PRIVILEGE, MT 1840 R PRIVILEGE, MT 1840 A PRIVILEGE, MT 1840 H A PRIVILEGE, MT 1840 PRIVILEGE, MT 1840 H PRIVILEGE
4	261496	Screw	M8	1		MT 1840 EP PRIVILEGE, MT 1840 R PRIVILEGE, MT 1840 A PRIVILEGE, MT 1840 H A PRIVILEGE, MT 1840 PRIVILEGE, MT 1840 H PRIVILEGE
5	208524	Washer	Z8	1		MT 1840 EP PRIVILEGE, MT 1840 R PRIVILEGE, MT 1840 A PRIVILEGE, MT 1840 H A PRIVILEGE, MT 1840 PRIVILEGE, MT 1840 H PRIVILEGE
6	279036	Fastening lug		1		MT 1840 EP PRIVILEGE, MT 1840 R PRIVILEGE, MT 1840 A PRIVILEGE, MT 1840 H A PRIVILEGE, MT 1840 PRIVILEGE, MT 1840 H PRIVILEGE
7	259742	Protection plate		1		MT 1840 EP PRIVILEGE, MT 1840 R PRIVILEGE, MT 1840 A PRIVILEGE, MT 1840 H A PRIVILEGE, MT 1840 PRIVILEGE, MT 1840 H PRIVILEGE

15 AL 4

KIT FILTRE ET VALVE VAP, FLECHE
FILTER UND VAP VENTIL KIT, AUSLEGER
FILTROS Y VALVULA VAP KIT, AGUILON
FILTER AND VAP VALVE KIT, JIB
FILTRI E VAP VALVOLA KIT, BRACCIO

797866mod



15. MANUTENZIONE (MANTENANCE) DEL FILTRO VAP, KIT VAP.
 Pour le filtre VAP, voir le chapitre 15.
 16. MANUTENZIONE (MANTENANCE) DELLA VALVOLA VAP, KIT VAP.
 Per la manutenzione della valvola VAP, vedere il capitolo 16.
 17. MANUTENZIONE (MANTENANCE) DEL BRACCIO VAP, KIT VAP.
 Para la manutenzione del brazo VAP, ver el capítulo 17.
 18. MANUTENZIONE (MANTENANCE) DEL BRACCIO VAP, KIT VAP.
 Para la manutenzione del brazo VAP, ver el capítulo 18.

P.A.O.illus

13 / 04 / 12

Catalogue : 797866MOD			Qté-Menge-Cant-Qty-Q.ta	15 AL	4	M																
1	KIT FILTRE ET VALVE "VAP" - FLECHE FILTER KIT UND VENTIL "VAP" - AUSLEGER KIT FILTRO Y VALVULA "VAP" - AGUILON FILTER KIT AND VALVE "VAP" - BOOM KIT FILTRO E VALVOLA "VAP" - BRACCIO		1- 797866MOD 11- 2- 12- 3- 13- 4- 14- 5- 15- 6- 16- 7- 17- 8- 18- 9- 19- 10- 20-																			
Rep Hinw Fig Item Rif	Numéro Teil-Nr Numero Part-Nr Part-Nr	Désignation Bezeichnung Description Description Descrizione	1	2	3	4	5	6	7	8	9	10	11	12	13	14	15	16	17	18	19	20
1	299812	Kit filtre et valve "VAP" Kit filtro y válvula "VAP" Kit filtro e valvola "VAP"	- Filter kit und ventil "VAP" - Filter kit and valve "VAP" -	1																		
2	299794	Valve Válvula Valvola	- Ventil - Valve -	1																		
3	299793	Bloc filtre Bloque de filtro Blocco filtro	- Filter block - Filter block -	1																		
4	235964	Vis H,M 8-130-8.8-ZN8/C Tornillo Vite	- Schraube - Screw -	1																		
5	42325	Rondelle W 8 ZN Arandela Rondella	- Unterlegscheibe - Washer -	3																		
6	518198	Vis H,M 8-100-8.8-ZN8/C Tornillo Vite	- Schraube - Screw -	2																		
7	304342	Vis FHc,M 8- 70 Tornillo Vite	- Schraube - Screw -	2																		
8	61674	Rondelle M 8 ZN Arandela Rondella	- Unterlegscheibe - Washer -	6																		
9	58528	Ecrou H ,M 8 ZN Tuerca Dado	- Mutter - Nut -	4																		
10	299796	Filtre Filtro Filtro	- Filter - Filter -	1																		
11	74356	Raccord Union Racor Raccordo	- Verschraubung - Connection -	2																		

+

27/06/2012

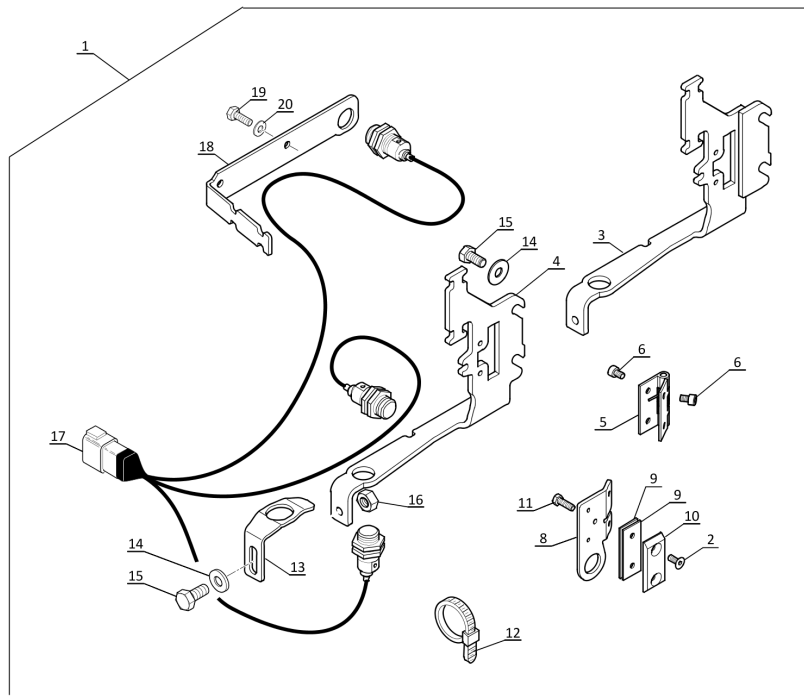
Catalogue : 797866MOD			Qté-Menge-Cant-Qty-Q.ta 15 AL 4 M																				
2	KIT FILTRE ET VALVE "VAP" - FLECHE FILTER KIT UND VENTIL "VAP" - AUSLEGER KIT FILTRO Y VALVULA "VAP" - AGUILON FILTER KIT AND VALVE "VAP" - BOOM KIT FILTRO E VALVOLA "VAP" - BRACCIO		1- 797866MOD 11- 2- 12- 3- 13- 4- 14- 5- 15- 6- 16- 7- 17- 8- 18- 9- 19- 10- 20-																				
	Rep Hinw Fig Item Rif	Número Teil-Nr Numero Part-Nr Part-Nr	Désignation Bezeichnung Description Description Descrizione	1	2	3	4	5	6	7	8	9	10	11	12	13	14	15	16	17	18	19	20
12	207839	Flexible (Lg 400) Flexible Flessibile	- Schlauch - Hose -	1																			
13	407743	Flexible (Lg 1700) Flexible Flessibile	- Schlauch - Hose -	1																			
14	299329	Faisceau Haz Fascio	- Kabelbaum - Wiring harness -	1																			
15	21979	Collier Abrazadera Fascetta	- Spanschelle - Clamp -	8																			
16	796637	Page "Maintenance filtre" Página "Mantenimiento de los filtros" "Filter maintenance" page Foglio "Manutenzione filtri"	- Seite "Wartung der Filter" - - -	1																			
17	304348	Tôle Chapa Lamiera	- Blech - Sheat -	1																			
18	61323	Vis H,M 8- 35-8.8-ZN8/C Tornillo Vite	- Schraube - Screw -	2																			

27/06/2012

15 AL 5

KIT DETECTEUR, FLECHE
SENSOR KIT, AUSLEGER
KIT SENSOR, AGUILON
SENSOR KIT, JIB
SENSORE KIT, BRACCIO

797866mod



13 / 04 / 12
P.A.O.illus

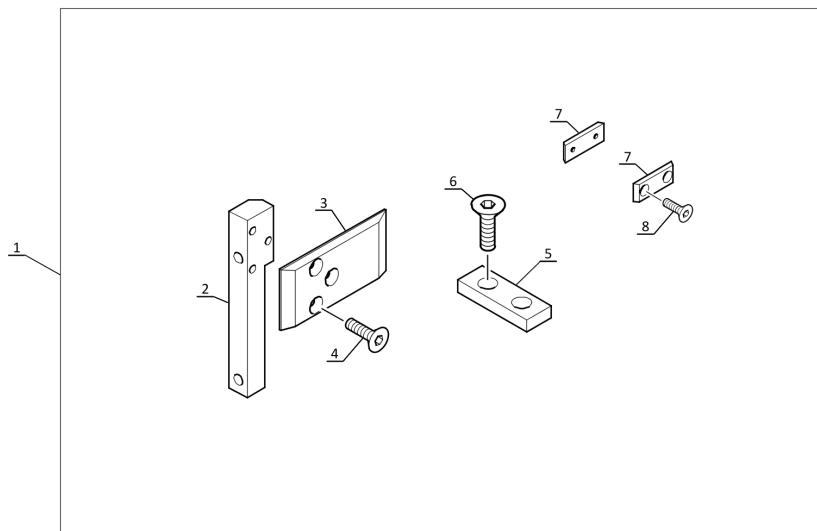
Item	Part No.	Name	Characteristics	Qty	Superseded PartNumber	Product Type
1	894496	Detector kit		1		MT 1840 EP PRIVILEGE, MT 1840 R PRIVILEGE, MT 1840 A PRIVILEGE, MT 1840 H A PRIVILEGE, MT 1840 PRIVILEGE, MT 1840 H PRIVILEGE
2	261497	Screw	M4	1		MT 1840 EP PRIVILEGE, MT 1840 R PRIVILEGE, MT 1840 A PRIVILEGE, MT 1840 H A PRIVILEGE, MT 1840 PRIVILEGE, MT 1840 H PRIVILEGE
3	294249	Sensor bracket		1		MT 1840 EP PRIVILEGE, MT 1840 R PRIVILEGE, MT 1840 A PRIVILEGE, MT 1840 H A PRIVILEGE, MT 1840 PRIVILEGE, MT 1840 H PRIVILEGE
4	294257	Sensor bracket		1		MT 1840 EP PRIVILEGE, MT 1840 R PRIVILEGE, MT 1840 A PRIVILEGE, MT 1840 H A PRIVILEGE, MT 1840 PRIVILEGE, MT 1840 H PRIVILEGE
5	216087	Hinge		1		MT 1840 EP PRIVILEGE, MT 1840 R PRIVILEGE, MT 1840 A PRIVILEGE, MT 1840 H A PRIVILEGE, MT 1840 PRIVILEGE, MT 1840 H PRIVILEGE
6	235319	Screw		1		MT 1840 EP PRIVILEGE, MT 1840 R PRIVILEGE, MT 1840 A PRIVILEGE, MT 1840 H A PRIVILEGE, MT 1840 PRIVILEGE, MT 1840 H PRIVILEGE
8	294252	Pin		1		MT 1840 EP PRIVILEGE, MT 1840 R PRIVILEGE, MT 1840 A PRIVILEGE, MT 1840 H A PRIVILEGE, MT 1840 PRIVILEGE, MT 1840 H PRIVILEGE
9	261306	Spacer		1		MT 1840 EP PRIVILEGE, MT 1840 R PRIVILEGE, MT 1840 A PRIVILEGE, MT 1840 H A PRIVILEGE, MT 1840 PRIVILEGE, MT 1840 H PRIVILEGE
10	281782	Shoe		1		MT 1840 EP PRIVILEGE, MT 1840 R PRIVILEGE, MT 1840 A PRIVILEGE, MT 1840 H A PRIVILEGE, MT 1840 PRIVILEGE, MT 1840 H PRIVILEGE
11	4240	Screw	HM5	1		MT 1840 EP PRIVILEGE, MT 1840 R PRIVILEGE, MT 1840 A PRIVILEGE, MT 1840 H A PRIVILEGE, MT 1840 PRIVILEGE, MT 1840 H PRIVILEGE
12	164856	Clamp		1		MT 1840 EP PRIVILEGE, MT 1840 R PRIVILEGE, MT 1840 A PRIVILEGE, MT 1840 H A PRIVILEGE, MT 1840 PRIVILEGE, MT 1840 H PRIVILEGE
13	284301	Protection plate		1		MT 1840 EP PRIVILEGE, MT 1840 R PRIVILEGE, MT 1840 A PRIVILEGE, MT 1840 H A PRIVILEGE, MT 1840 PRIVILEGE, MT 1840 H PRIVILEGE
14	29468	Washer	L8	1		MT 1840 EP PRIVILEGE, MT 1840 R PRIVILEGE, MT 1840 A PRIVILEGE, MT 1840 H A PRIVILEGE, MT 1840 PRIVILEGE, MT 1840 H PRIVILEGE
15	261503	Screw		1		MT 1840 EP PRIVILEGE, MT 1840 R PRIVILEGE, MT 1840 A PRIVILEGE, MT 1840 H A PRIVILEGE, MT 1840 PRIVILEGE, MT 1840 H PRIVILEGE
16	58528	Nut	M8	1		MT 1840 EP PRIVILEGE, MT 1840 R PRIVILEGE, MT 1840 A PRIVILEGE, MT 1840 H A PRIVILEGE, MT 1840 PRIVILEGE, MT 1840 H PRIVILEGE
17	271056	Sensor		1		MT 1840 EP PRIVILEGE, MT 1840 R PRIVILEGE, MT 1840 A PRIVILEGE, MT 1840 H A PRIVILEGE, MT 1840 PRIVILEGE, MT 1840 H PRIVILEGE

Item	Part No.	Name	Characteristics	Qty	Superseded PartNumber	Product Type
18	260681	Sensor bracket		1		MT 1840 EP PRIVILEGE, MT 1840 R PRIVILEGE, MT 1840 A PRIVILEGE, MT 1840 H A PRIVILEGE, MT 1840 PRIVILEGE, MT 1840 H PRIVILEGE
19	261501	Screw	HM6	1		MT 1840 EP PRIVILEGE, MT 1840 R PRIVILEGE, MT 1840 A PRIVILEGE, MT 1840 H A PRIVILEGE, MT 1840 PRIVILEGE, MT 1840 H PRIVILEGE
20	29469	Washer	M6	1		MT 1840 EP PRIVILEGE, MT 1840 R PRIVILEGE, MT 1840 A PRIVILEGE, MT 1840 H A PRIVILEGE, MT 1840 PRIVILEGE, MT 1840 H PRIVILEGE

15 AL 6

KIT GOULOTTE, FLECHE
KOMPLETTER KIT, AUSLEGER
GUIA KIT, AGUILON
GUIDE KIT, JIB
GUIDA KIT, BRACCIO

797866mod



Item	Part No.	Name	Characteristics	Qty	Superseded PartNumber	Product Type
1	750548	Complete kit		1		MT 1840 EP PRIVILEGE, MT 1840 R PRIVILEGE, MT 1840 A PRIVILEGE, MT 1840 H A PRIVILEGE, MT 1840 PRIVILEGE, MT 1840 H PRIVILEGE
2	281758	Fastening lug		1		MT 1840 EP PRIVILEGE, MT 1840 R PRIVILEGE, MT 1840 A PRIVILEGE, MT 1840 H A PRIVILEGE, MT 1840 PRIVILEGE, MT 1840 H PRIVILEGE
3	281714	Fastening plate		1		MT 1840 EP PRIVILEGE, MT 1840 R PRIVILEGE, MT 1840 A PRIVILEGE, MT 1840 H A PRIVILEGE, MT 1840 PRIVILEGE, MT 1840 H PRIVILEGE
4	261498	Screw	M6	1		MT 1840 EP PRIVILEGE, MT 1840 R PRIVILEGE, MT 1840 A PRIVILEGE, MT 1840 H A PRIVILEGE, MT 1840 PRIVILEGE, MT 1840 H PRIVILEGE
5	281712	Slide block		1		MT 1840 EP PRIVILEGE, MT 1840 R PRIVILEGE, MT 1840 A PRIVILEGE, MT 1840 H A PRIVILEGE, MT 1840 PRIVILEGE, MT 1840 H PRIVILEGE
6	261499	Screw	M6	1		MT 1840 EP PRIVILEGE, MT 1840 R PRIVILEGE, MT 1840 A PRIVILEGE, MT 1840 H A PRIVILEGE, MT 1840 PRIVILEGE, MT 1840 H PRIVILEGE
7	281782	Shoe		1		MT 1840 EP PRIVILEGE, MT 1840 R PRIVILEGE, MT 1840 A PRIVILEGE, MT 1840 H A PRIVILEGE, MT 1840 PRIVILEGE, MT 1840 H PRIVILEGE
8	261497	Screw	M4	1		MT 1840 EP PRIVILEGE, MT 1840 R PRIVILEGE, MT 1840 A PRIVILEGE, MT 1840 H A PRIVILEGE, MT 1840 PRIVILEGE, MT 1840 H PRIVILEGE

AP 3066

POUR MOTEUR
FÜR MOTOR
PARA MOTOR
FOR ENGINE
PER MOTORE

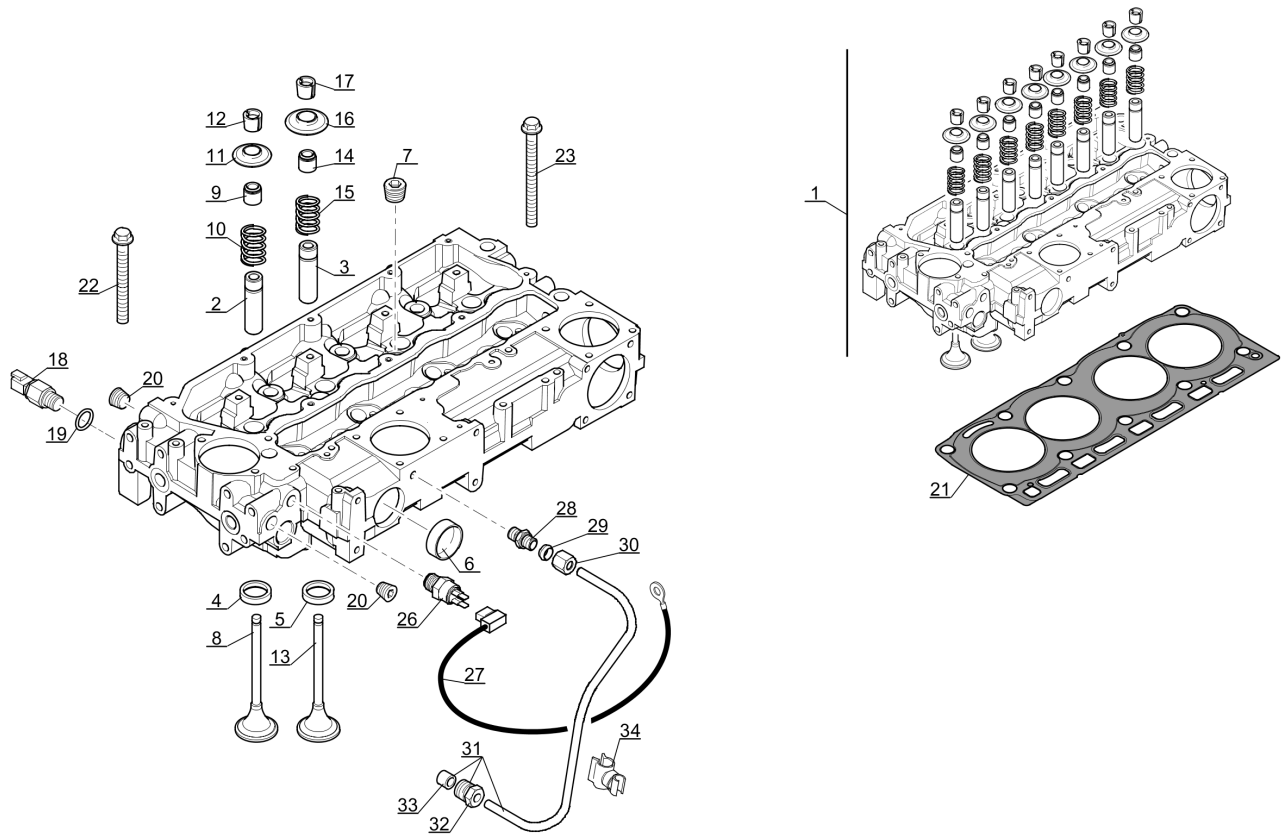
☐ Type: RG 81649
☐ Ref: 272 275

A PARTIR DE LA MACHINE
AB DER MASCHINE
A PARTIR DE LA MAQUINA
FROM MACHINE
A PARTIR DA MACCHINA

↳ N°: 256 389

CULASSE
ZYLINDERKOPF
CULATA
CYLINDER HEAD
TESTATA

MT 1440 HA PRIVILEGE
MT 1840 HA PRIVILEGE



03 / 12 / 09

P.A.O. illus

Item	Part No.	Name	Characteristics	Qty	Superseded PartNumber	Product Type
0	272275	Complete engine		1	259407	MT 1840 EP PRIVILEGE, MT 1440 A PRIVILEGE, MT 1440 PRIVILEGE, MT 1840 R PRIVILEGE, MT 1440 H A PRIVILEGE, MT 1840 A PRIVILEGE, MT 1840 H A PRIVILEGE, MT 1840 PRIVILEGE, MT 1440 EP PRIVILEGE, MT 1440 H PRIVILEGE, MT 1840 H PRIVILEGE
1	702005	Complete cylinder head		1		MT 1840 EP PRIVILEGE, MT 1440 A PRIVILEGE, MT 1440 PRIVILEGE, MT 1840 R PRIVILEGE, MT 1440 H A PRIVILEGE, MT 1840 A PRIVILEGE, MT 1840 H A PRIVILEGE, MT 1840 PRIVILEGE, MT 1440 EP PRIVILEGE, MT 1440 H PRIVILEGE, MT 1840 H PRIVILEGE
2	563233	Guide		4		MT 1840 EP PRIVILEGE, MT 1440 A PRIVILEGE, MT 1440 PRIVILEGE, MT 1840 R PRIVILEGE, MT 1440 H A PRIVILEGE, MT 1840 A PRIVILEGE, MT 1840 H A PRIVILEGE, MT 1840 PRIVILEGE, MT 1440 EP PRIVILEGE, MT 1440 H PRIVILEGE, MT 1840 H PRIVILEGE
3	563233	Guide		4		MT 1840 EP PRIVILEGE, MT 1440 A PRIVILEGE, MT 1440 PRIVILEGE, MT 1840 R PRIVILEGE, MT 1440 H A PRIVILEGE, MT 1840 A PRIVILEGE, MT 1840 H A PRIVILEGE, MT 1840 PRIVILEGE, MT 1440 EP PRIVILEGE, MT 1440 H PRIVILEGE, MT 1840 H PRIVILEGE
4	748969	Inlet ring		4	604914	MT 1840 EP PRIVILEGE, MT 1440 A PRIVILEGE, MT 1440 PRIVILEGE, MT 1840 R PRIVILEGE, MT 1440 H A PRIVILEGE, MT 1840 A PRIVILEGE, MT 1840 H A PRIVILEGE, MT 1840 PRIVILEGE, MT 1440 EP PRIVILEGE, MT 1440 H PRIVILEGE, MT 1840 H PRIVILEGE
5	747608	Ring		4		MT 1840 EP PRIVILEGE, MT 1440 A PRIVILEGE, MT 1440 PRIVILEGE, MT 1840 R PRIVILEGE, MT 1440 H A PRIVILEGE, MT 1840 A PRIVILEGE, MT 1840 H A PRIVILEGE, MT 1840 PRIVILEGE, MT 1440 EP PRIVILEGE, MT 1440 H PRIVILEGE, MT 1840 H PRIVILEGE
6	133812	Disc		2	P32416105, P32416119, 474101, D1165839	MT 1840 EP PRIVILEGE, MT 1440 A PRIVILEGE, MT 1440 PRIVILEGE, MT 1840 R PRIVILEGE, MT 1440 H A PRIVILEGE, MT 1840 A PRIVILEGE, MT 1840 H A PRIVILEGE, MT 1840 PRIVILEGE, MT 1440 EP PRIVILEGE, MT 1440 H PRIVILEGE, MT 1840 H PRIVILEGE
7	133655	Plug		4		MT 1840 EP PRIVILEGE, MT 1440 A PRIVILEGE, MT 1440 PRIVILEGE, MT 1840 R PRIVILEGE, MT 1440 H A PRIVILEGE, MT 1840 A PRIVILEGE, MT 1840 H A PRIVILEGE, MT 1840 PRIVILEGE, MT 1440 EP PRIVILEGE, MT 1440 H PRIVILEGE, MT 1840 H PRIVILEGE
8	604916	Intake valve		4		MT 1840 EP PRIVILEGE, MT 1440 A PRIVILEGE, MT 1440 PRIVILEGE, MT 1840 R PRIVILEGE, MT 1440 H A PRIVILEGE, MT 1840 A PRIVILEGE, MT 1840 H A PRIVILEGE, MT 1840 PRIVILEGE, MT 1440 EP PRIVILEGE, MT 1440 H PRIVILEGE, MT 1840 H PRIVILEGE

Item	Part No.	Name	Characteristics	Qty	Superseded PartNumber	Product Type
9	704713	Seal		4		MT 1840 EP PRIVILEGE, MT 1440 A PRIVILEGE, MT 1440 PRIVILEGE, MT 1840 R PRIVILEGE, MT 1440 H A PRIVILEGE, MT 1840 A PRIVILEGE, MT 1840 H A PRIVILEGE, MT 1840 PRIVILEGE, MT 1440 EP PRIVILEGE, MT 1440 H PRIVILEGE, MT 1840 H PRIVILEGE
10	604918	Spring		4		MT 1840 EP PRIVILEGE, MT 1440 A PRIVILEGE, MT 1440 PRIVILEGE, MT 1840 R PRIVILEGE, MT 1440 H A PRIVILEGE, MT 1840 A PRIVILEGE, MT 1840 H A PRIVILEGE, MT 1840 PRIVILEGE, MT 1440 EP PRIVILEGE, MT 1440 H PRIVILEGE, MT 1840 H PRIVILEGE
11	604919	Cap		4		MT 1840 EP PRIVILEGE, MT 1440 A PRIVILEGE, MT 1440 PRIVILEGE, MT 1840 R PRIVILEGE, MT 1440 H A PRIVILEGE, MT 1840 A PRIVILEGE, MT 1840 H A PRIVILEGE, MT 1840 PRIVILEGE, MT 1440 EP PRIVILEGE, MT 1440 H PRIVILEGE, MT 1840 H PRIVILEGE
12	563237	Valve fastening		8		MT 1840 EP PRIVILEGE, MT 1440 A PRIVILEGE, MT 1440 PRIVILEGE, MT 1840 R PRIVILEGE, MT 1440 H A PRIVILEGE, MT 1840 A PRIVILEGE, MT 1840 H A PRIVILEGE, MT 1840 PRIVILEGE, MT 1440 EP PRIVILEGE, MT 1440 H PRIVILEGE, MT 1840 H PRIVILEGE
13	604920	Exhaust valve		4		MT 1840 EP PRIVILEGE, MT 1440 A PRIVILEGE, MT 1440 PRIVILEGE, MT 1840 R PRIVILEGE, MT 1440 H A PRIVILEGE, MT 1840 A PRIVILEGE, MT 1840 H A PRIVILEGE, MT 1840 PRIVILEGE, MT 1440 EP PRIVILEGE, MT 1440 H PRIVILEGE, MT 1840 H PRIVILEGE
14	706965	Seal		4		MT 1840 EP PRIVILEGE, MT 1440 A PRIVILEGE, MT 1440 PRIVILEGE, MT 1840 R PRIVILEGE, MT 1440 H A PRIVILEGE, MT 1840 A PRIVILEGE, MT 1840 H A PRIVILEGE, MT 1840 PRIVILEGE, MT 1440 EP PRIVILEGE, MT 1440 H PRIVILEGE, MT 1840 H PRIVILEGE
15	604918	Spring		4		MT 1840 EP PRIVILEGE, MT 1440 A PRIVILEGE, MT 1440 PRIVILEGE, MT 1840 R PRIVILEGE, MT 1440 H A PRIVILEGE, MT 1840 A PRIVILEGE, MT 1840 H A PRIVILEGE, MT 1840 PRIVILEGE, MT 1440 EP PRIVILEGE, MT 1440 H PRIVILEGE, MT 1840 H PRIVILEGE
16	604919	Cap		4		MT 1840 EP PRIVILEGE, MT 1440 A PRIVILEGE, MT 1440 PRIVILEGE, MT 1840 R PRIVILEGE, MT 1440 H A PRIVILEGE, MT 1840 A PRIVILEGE, MT 1840 H A PRIVILEGE, MT 1840 PRIVILEGE, MT 1440 EP PRIVILEGE, MT 1440 H PRIVILEGE, MT 1840 H PRIVILEGE
17	563237	Valve fastening		8		MT 1840 EP PRIVILEGE, MT 1440 A PRIVILEGE, MT 1440 PRIVILEGE, MT 1840 R PRIVILEGE, MT 1440 H A PRIVILEGE, MT 1840 A PRIVILEGE, MT 1840 H A PRIVILEGE, MT 1840 PRIVILEGE, MT 1440 EP PRIVILEGE, MT 1440 H PRIVILEGE, MT 1840 H PRIVILEGE

Item	Part No.	Name	Characteristics	Qty	Superseded PartNumber	Product Type
18	702318	Coolant temperature sensor		1		MT 1840 EP PRIVILEGE, MT 1440 A PRIVILEGE, MT 1440 PRIVILEGE, MT 1840 R PRIVILEGE, MT 1440 H A PRIVILEGE, MT 1840 A PRIVILEGE, MT 1840 H A PRIVILEGE, MT 1840 PRIVILEGE, MT 1440 EP PRIVILEGE, MT 1440 H PRIVILEGE, MT 1840 H PRIVILEGE
19	604922	Seal		1		MT 1840 EP PRIVILEGE, MT 1440 A PRIVILEGE, MT 1440 PRIVILEGE, MT 1840 R PRIVILEGE, MT 1440 H A PRIVILEGE, MT 1840 A PRIVILEGE, MT 1840 H A PRIVILEGE, MT 1840 PRIVILEGE, MT 1440 EP PRIVILEGE, MT 1440 H PRIVILEGE, MT 1840 H PRIVILEGE
20	133739	Plug		2		MT 1840 EP PRIVILEGE, MT 1440 A PRIVILEGE, MT 1440 PRIVILEGE, MT 1840 R PRIVILEGE, MT 1440 H A PRIVILEGE, MT 1840 A PRIVILEGE, MT 1840 H A PRIVILEGE, MT 1840 PRIVILEGE, MT 1440 EP PRIVILEGE, MT 1440 H PRIVILEGE, MT 1840 H PRIVILEGE
21	704934	Cylinder head gasket		1		MT 1840 EP PRIVILEGE, MT 1440 A PRIVILEGE, MT 1440 PRIVILEGE, MT 1840 R PRIVILEGE, MT 1440 H A PRIVILEGE, MT 1840 A PRIVILEGE, MT 1840 H A PRIVILEGE, MT 1840 PRIVILEGE, MT 1440 EP PRIVILEGE, MT 1440 H PRIVILEGE, MT 1840 H PRIVILEGE
22	604924	Screw	HUNF 5/8	7		MT 1840 EP PRIVILEGE, MT 1440 A PRIVILEGE, MT 1440 PRIVILEGE, MT 1840 R PRIVILEGE, MT 1440 H A PRIVILEGE, MT 1840 A PRIVILEGE, MT 1840 H A PRIVILEGE, MT 1840 PRIVILEGE, MT 1440 EP PRIVILEGE, MT 1440 H PRIVILEGE, MT 1840 H PRIVILEGE
23	604925	Screw	HUNF 5/8	3		MT 1840 EP PRIVILEGE, MT 1440 A PRIVILEGE, MT 1440 PRIVILEGE, MT 1840 R PRIVILEGE, MT 1440 H A PRIVILEGE, MT 1840 A PRIVILEGE, MT 1840 H A PRIVILEGE, MT 1840 PRIVILEGE, MT 1440 EP PRIVILEGE, MT 1440 H PRIVILEGE, MT 1840 H PRIVILEGE
26	702283	Coolant temperature sensor		1		MT 1840 EP PRIVILEGE, MT 1440 A PRIVILEGE, MT 1440 PRIVILEGE, MT 1840 R PRIVILEGE, MT 1440 H A PRIVILEGE, MT 1840 A PRIVILEGE, MT 1840 H A PRIVILEGE, MT 1840 PRIVILEGE, MT 1440 EP PRIVILEGE, MT 1440 H PRIVILEGE, MT 1840 H PRIVILEGE
27	702126	Cable		1		MT 1840 EP PRIVILEGE, MT 1440 A PRIVILEGE, MT 1440 PRIVILEGE, MT 1840 R PRIVILEGE, MT 1440 H A PRIVILEGE, MT 1840 A PRIVILEGE, MT 1840 H A PRIVILEGE, MT 1840 PRIVILEGE, MT 1440 EP PRIVILEGE, MT 1440 H PRIVILEGE, MT 1840 H PRIVILEGE
28	108127	Connection		1		MT 1840 EP PRIVILEGE, MT 1440 A PRIVILEGE, MT 1440 PRIVILEGE, MT 1840 R PRIVILEGE, MT 1440 H A PRIVILEGE, MT 1840 A PRIVILEGE, MT 1840 H A PRIVILEGE, MT 1840 PRIVILEGE, MT 1440 EP PRIVILEGE, MT 1440 H PRIVILEGE, MT 1840 H PRIVILEGE

Item	Part No.	Name	Characteristics	Qty	Superseded PartNumber	Product Type
29	133637	Olive		1		MT 1840 EP PRIVILEGE, MT 1440 A PRIVILEGE, MT 1440 PRIVILEGE, MT 1840 R PRIVILEGE, MT 1440 H A PRIVILEGE, MT 1840 A PRIVILEGE, MT 1840 H A PRIVILEGE, MT 1840 PRIVILEGE, MT 1440 EP PRIVILEGE, MT 1440 H PRIVILEGE, MT 1840 H PRIVILEGE
30	133643	Nut		1		MT 1840 EP PRIVILEGE, MT 1440 A PRIVILEGE, MT 1440 PRIVILEGE, MT 1840 R PRIVILEGE, MT 1440 H A PRIVILEGE, MT 1840 A PRIVILEGE, MT 1840 H A PRIVILEGE, MT 1840 PRIVILEGE, MT 1440 EP PRIVILEGE, MT 1440 H PRIVILEGE, MT 1840 H PRIVILEGE
31	745030	tuyau		1		MT 1840 EP PRIVILEGE, MT 1440 A PRIVILEGE, MT 1440 PRIVILEGE, MT 1840 R PRIVILEGE, MT 1440 H A PRIVILEGE, MT 1840 A PRIVILEGE, MT 1840 H A PRIVILEGE, MT 1840 PRIVILEGE, MT 1440 EP PRIVILEGE, MT 1440 H PRIVILEGE, MT 1840 H PRIVILEGE
32	475213	Nut		1		MT 1840 EP PRIVILEGE, MT 1440 A PRIVILEGE, MT 1440 PRIVILEGE, MT 1840 R PRIVILEGE, MT 1440 H A PRIVILEGE, MT 1840 A PRIVILEGE, MT 1840 H A PRIVILEGE, MT 1840 PRIVILEGE, MT 1440 EP PRIVILEGE, MT 1440 H PRIVILEGE, MT 1840 H PRIVILEGE
33	133851	Olive		1		MT 1840 EP PRIVILEGE, MT 1440 A PRIVILEGE, MT 1440 PRIVILEGE, MT 1840 R PRIVILEGE, MT 1440 H A PRIVILEGE, MT 1840 A PRIVILEGE, MT 1840 H A PRIVILEGE, MT 1840 PRIVILEGE, MT 1440 EP PRIVILEGE, MT 1440 H PRIVILEGE, MT 1840 H PRIVILEGE
34	747627	Flange		1		MT 1840 EP PRIVILEGE, MT 1440 A PRIVILEGE, MT 1440 PRIVILEGE, MT 1840 R PRIVILEGE, MT 1440 H A PRIVILEGE, MT 1840 A PRIVILEGE, MT 1840 H A PRIVILEGE, MT 1840 PRIVILEGE, MT 1440 EP PRIVILEGE, MT 1440 H PRIVILEGE, MT 1840 H PRIVILEGE

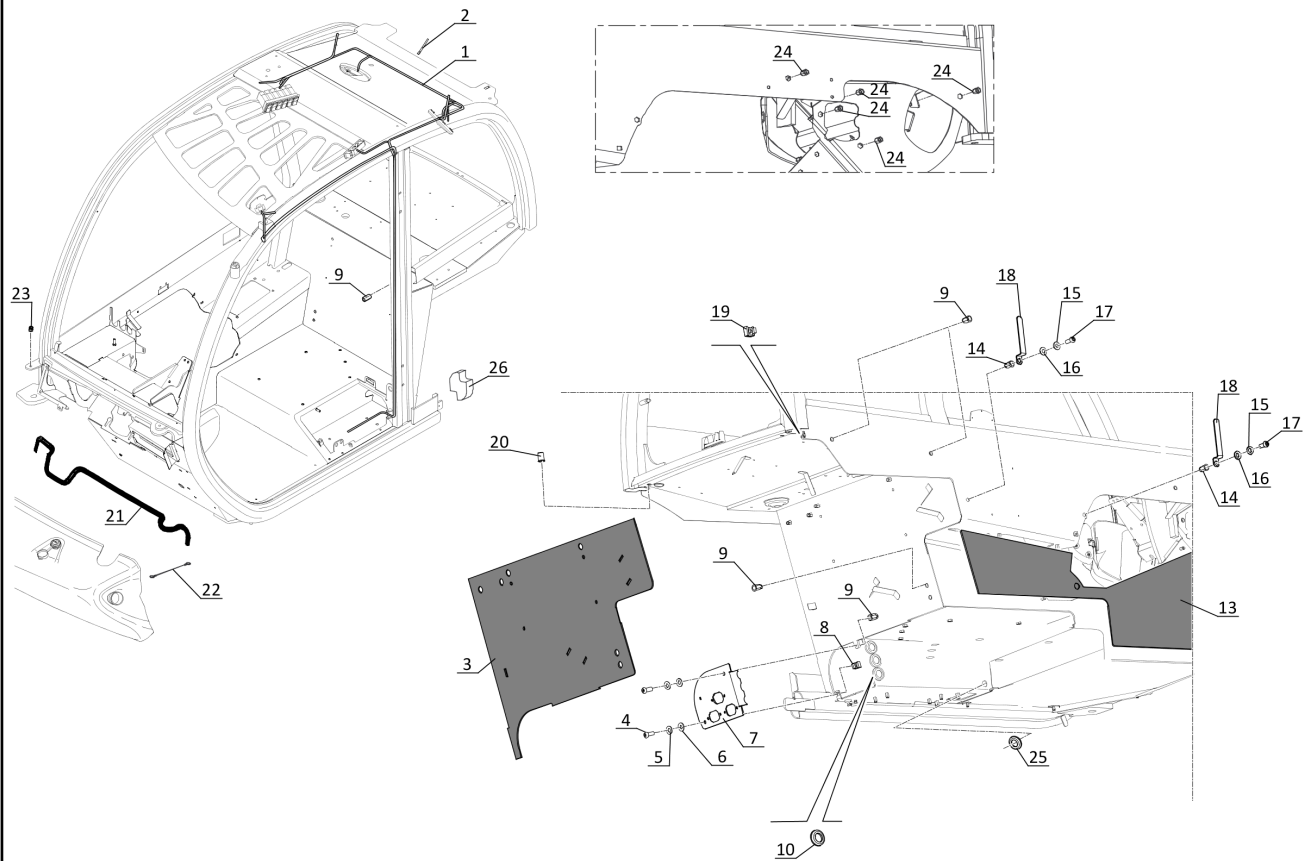
8 AB 1010

POUR TYPE DE CABINE
FÜR KABINE TYPEN
PARA TIPO DE CABINA
FOR CAB TYPE
PER TIPO DI CABINA
□ □ 277 581

A PARTIR DE LA MACHINE
AB DER MASCHINE
A PARTIR DE LA MAQUINA
FROM MACHINE
A PARTIR DA MACCHINA
→ N°: 259 085

CABINE (Détails)
KABINE (Einzelteile)
CABINA (Detalles)
CAB (Details)
CABINA (Dettaglio)

MT 1440 H PRIVILEGE
MT 1840 H PRIVILEGE



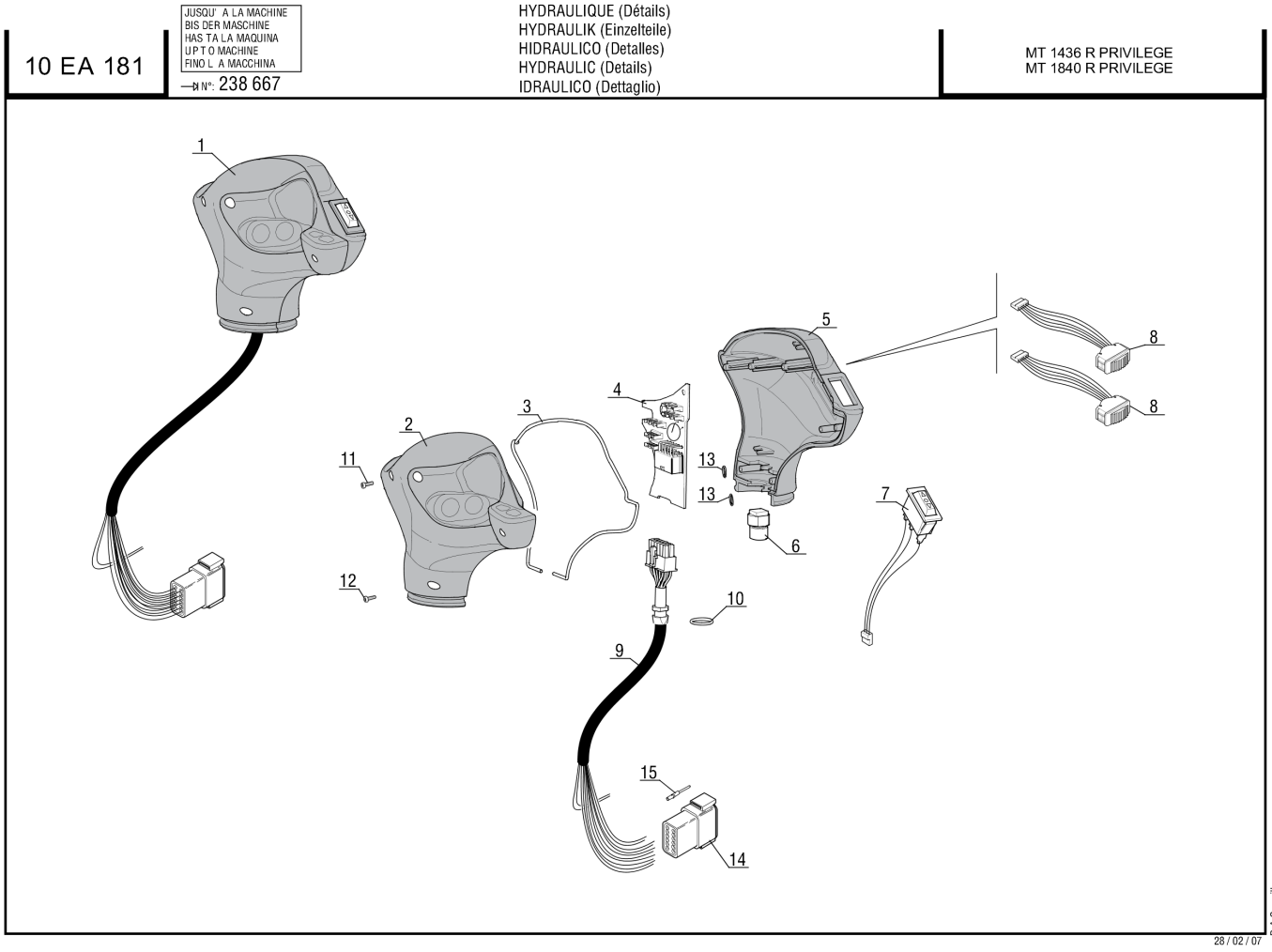
P.A.O. Illus

15 / 01 / 10

Item	Part No.	Name	Characteristics	Qty	Superseded PartNumber	Product Type
0	308232	Cab		1		MT 1440 R PRIVILEGE, MT 1840 EP PRIVILEGE, MT 1440 A PRIVILEGE, MT 1440 PRIVILEGE, MT 1840 R PRIVILEGE, MT 1440 H A PRIVILEGE, MT 1840 A PRIVILEGE, MT 1840 H A PRIVILEGE, MT 1840 PRIVILEGE, MT 1440 EP PRIVILEGE
1	746510	Wiring harness		1		MT 1440 R PRIVILEGE, MT 1840 EP PRIVILEGE, MT 1440 A PRIVILEGE, MT 1440 PRIVILEGE, MT 1840 R PRIVILEGE, MT 1440 H A PRIVILEGE, MT 1840 A PRIVILEGE, MT 1840 H A PRIVILEGE, MT 1840 PRIVILEGE, MT 1440 EP PRIVILEGE
2	551541	Retainer		4		MT 1440 R PRIVILEGE, MT 1840 EP PRIVILEGE, MT 1440 A PRIVILEGE, MT 1440 PRIVILEGE, MT 1840 R PRIVILEGE, MT 1440 H A PRIVILEGE, MT 1840 A PRIVILEGE, MT 1840 H A PRIVILEGE, MT 1840 PRIVILEGE, MT 1440 EP PRIVILEGE
3	746511	Soundproofing		1		MT 1440 R PRIVILEGE, MT 1840 EP PRIVILEGE, MT 1440 A PRIVILEGE, MT 1440 PRIVILEGE, MT 1840 R PRIVILEGE, MT 1440 H A PRIVILEGE, MT 1840 A PRIVILEGE, MT 1840 H A PRIVILEGE, MT 1840 PRIVILEGE, MT 1440 EP PRIVILEGE
4	202144	Screw	M8	2		MT 1440 R PRIVILEGE, MT 1840 EP PRIVILEGE, MT 1440 A PRIVILEGE, MT 1440 PRIVILEGE, MT 1840 R PRIVILEGE, MT 1440 H A PRIVILEGE, MT 1840 A PRIVILEGE, MT 1840 H A PRIVILEGE, MT 1840 PRIVILEGE, MT 1440 EP PRIVILEGE
5	42325	Washer		2		MT 1440 R PRIVILEGE, MT 1840 EP PRIVILEGE, MT 1440 A PRIVILEGE, MT 1440 PRIVILEGE, MT 1840 R PRIVILEGE, MT 1440 H A PRIVILEGE, MT 1840 A PRIVILEGE, MT 1840 H A PRIVILEGE, MT 1840 PRIVILEGE, MT 1440 EP PRIVILEGE
6	61674	Washer	M8	2		MT 1440 R PRIVILEGE, MT 1840 EP PRIVILEGE, MT 1440 A PRIVILEGE, MT 1440 PRIVILEGE, MT 1840 R PRIVILEGE, MT 1440 H A PRIVILEGE, MT 1840 A PRIVILEGE, MT 1840 H A PRIVILEGE, MT 1840 PRIVILEGE, MT 1440 EP PRIVILEGE
7	746512	Sludge door		1		MT 1440 R PRIVILEGE, MT 1840 EP PRIVILEGE, MT 1440 A PRIVILEGE, MT 1440 PRIVILEGE, MT 1840 R PRIVILEGE, MT 1440 H A PRIVILEGE, MT 1840 A PRIVILEGE, MT 1840 H A PRIVILEGE, MT 1840 PRIVILEGE, MT 1440 EP PRIVILEGE
8	216927	Nut	M8	1		MT 1440 R PRIVILEGE, MT 1840 EP PRIVILEGE, MT 1440 A PRIVILEGE, MT 1440 PRIVILEGE, MT 1840 R PRIVILEGE, MT 1440 H A PRIVILEGE, MT 1840 A PRIVILEGE, MT 1840 H A PRIVILEGE, MT 1840 PRIVILEGE, MT 1440 EP PRIVILEGE
9	563864	Insert	M8	7		MT 1440 R PRIVILEGE, MT 1840 EP PRIVILEGE, MT 1440 A PRIVILEGE, MT 1440 PRIVILEGE, MT 1840 R PRIVILEGE, MT 1440 H A PRIVILEGE, MT 1840 A PRIVILEGE, MT 1840 H A PRIVILEGE, MT 1840 PRIVILEGE, MT 1440 EP PRIVILEGE
10	746503	Cable Grommet		3		MT 1440 R PRIVILEGE, MT 1840 EP PRIVILEGE, MT 1440 A PRIVILEGE, MT 1440 PRIVILEGE, MT 1840 R PRIVILEGE, MT 1440 H A PRIVILEGE, MT 1840 A PRIVILEGE, MT 1840 H A PRIVILEGE, MT 1840 PRIVILEGE, MT 1440 EP PRIVILEGE

Item	Part No.	Name	Characteristics	Qty	Superseded PartNumber	Product Type
13	746515	Sound proofing foam		1		MT 1440 R PRIVILEGE, MT 1840 EP PRIVILEGE, MT 1440 A PRIVILEGE, MT 1440 PRIVILEGE, MT 1840 R PRIVILEGE, MT 1440 H A PRIVILEGE, MT 1840 A PRIVILEGE, MT 1840 H A PRIVILEGE, MT 1840 PRIVILEGE, MT 1440 EP PRIVILEGE
14	563864	Insert	M8	2		MT 1440 R PRIVILEGE, MT 1840 EP PRIVILEGE, MT 1440 A PRIVILEGE, MT 1440 PRIVILEGE, MT 1840 R PRIVILEGE, MT 1440 H A PRIVILEGE, MT 1840 A PRIVILEGE, MT 1840 H A PRIVILEGE, MT 1840 PRIVILEGE, MT 1440 EP PRIVILEGE
15	42325	Washer		2		MT 1440 R PRIVILEGE, MT 1840 EP PRIVILEGE, MT 1440 A PRIVILEGE, MT 1440 PRIVILEGE, MT 1840 R PRIVILEGE, MT 1440 H A PRIVILEGE, MT 1840 A PRIVILEGE, MT 1840 H A PRIVILEGE, MT 1840 PRIVILEGE, MT 1440 EP PRIVILEGE
16	61674	Washer	M8	2		MT 1440 R PRIVILEGE, MT 1840 EP PRIVILEGE, MT 1440 A PRIVILEGE, MT 1440 PRIVILEGE, MT 1840 R PRIVILEGE, MT 1440 H A PRIVILEGE, MT 1840 A PRIVILEGE, MT 1840 H A PRIVILEGE, MT 1840 PRIVILEGE, MT 1440 EP PRIVILEGE
17	202418	Screw		2		MT 1440 R PRIVILEGE, MT 1840 EP PRIVILEGE, MT 1440 A PRIVILEGE, MT 1440 PRIVILEGE, MT 1840 R PRIVILEGE, MT 1440 H A PRIVILEGE, MT 1840 A PRIVILEGE, MT 1840 H A PRIVILEGE, MT 1840 PRIVILEGE, MT 1440 EP PRIVILEGE
18	746516	Fastening lug		2		MT 1440 R PRIVILEGE, MT 1840 EP PRIVILEGE, MT 1440 A PRIVILEGE, MT 1440 PRIVILEGE, MT 1840 R PRIVILEGE, MT 1440 H A PRIVILEGE, MT 1840 A PRIVILEGE, MT 1840 H A PRIVILEGE, MT 1840 PRIVILEGE, MT 1440 EP PRIVILEGE
19	178125	Nut	M6	1		MT 1440 R PRIVILEGE, MT 1840 EP PRIVILEGE, MT 1440 A PRIVILEGE, MT 1440 PRIVILEGE, MT 1840 R PRIVILEGE, MT 1440 H A PRIVILEGE, MT 1840 A PRIVILEGE, MT 1840 H A PRIVILEGE, MT 1840 PRIVILEGE, MT 1440 EP PRIVILEGE
20	202395	Insert		2		MT 1440 R PRIVILEGE, MT 1840 EP PRIVILEGE, MT 1440 A PRIVILEGE, MT 1440 PRIVILEGE, MT 1840 R PRIVILEGE, MT 1440 H A PRIVILEGE, MT 1840 A PRIVILEGE, MT 1840 H A PRIVILEGE, MT 1840 PRIVILEGE, MT 1440 EP PRIVILEGE
21	564769	Seal		1		MT 1440 R PRIVILEGE, MT 1840 EP PRIVILEGE, MT 1440 A PRIVILEGE, MT 1440 PRIVILEGE, MT 1840 R PRIVILEGE, MT 1440 H A PRIVILEGE, MT 1840 A PRIVILEGE, MT 1840 H A PRIVILEGE, MT 1840 PRIVILEGE, MT 1440 EP PRIVILEGE
22	747468	Cable		1		MT 1440 R PRIVILEGE, MT 1840 EP PRIVILEGE, MT 1440 A PRIVILEGE, MT 1440 PRIVILEGE, MT 1840 R PRIVILEGE, MT 1440 H A PRIVILEGE, MT 1840 A PRIVILEGE, MT 1840 H A PRIVILEGE, MT 1840 PRIVILEGE, MT 1440 EP PRIVILEGE
23	563829	Insert	M6	1		MT 1440 R PRIVILEGE, MT 1840 EP PRIVILEGE, MT 1440 A PRIVILEGE, MT 1440 PRIVILEGE, MT 1840 R PRIVILEGE, MT 1440 H A PRIVILEGE, MT 1840 A PRIVILEGE, MT 1840 H A PRIVILEGE, MT 1840 PRIVILEGE, MT 1440 EP PRIVILEGE

Item	Part No.	Name	Characteristics	Qty	Superseded PartNumber	Product Type
24	563864	Insert	M8	5		MT 1440 R PRIVILEGE, MT 1840 EP PRIVILEGE, MT 1440 A PRIVILEGE, MT 1440 PRIVILEGE, MT 1840 R PRIVILEGE, MT 1440 H A PRIVILEGE, MT 1840 A PRIVILEGE, MT 1840 H A PRIVILEGE, MT 1840 PRIVILEGE, MT 1440 EP PRIVILEGE
25	746503	Cable Grommet		1		MT 1440 R PRIVILEGE, MT 1840 EP PRIVILEGE, MT 1440 A PRIVILEGE, MT 1440 PRIVILEGE, MT 1840 R PRIVILEGE, MT 1440 H A PRIVILEGE, MT 1840 A PRIVILEGE, MT 1840 H A PRIVILEGE, MT 1840 PRIVILEGE, MT 1440 EP PRIVILEGE
26	748475	Plug		1		MT 1440 R PRIVILEGE, MT 1840 EP PRIVILEGE, MT 1440 A PRIVILEGE, MT 1440 PRIVILEGE, MT 1840 R PRIVILEGE, MT 1440 H A PRIVILEGE, MT 1840 A PRIVILEGE, MT 1840 H A PRIVILEGE, MT 1840 PRIVILEGE, MT 1440 EP PRIVILEGE



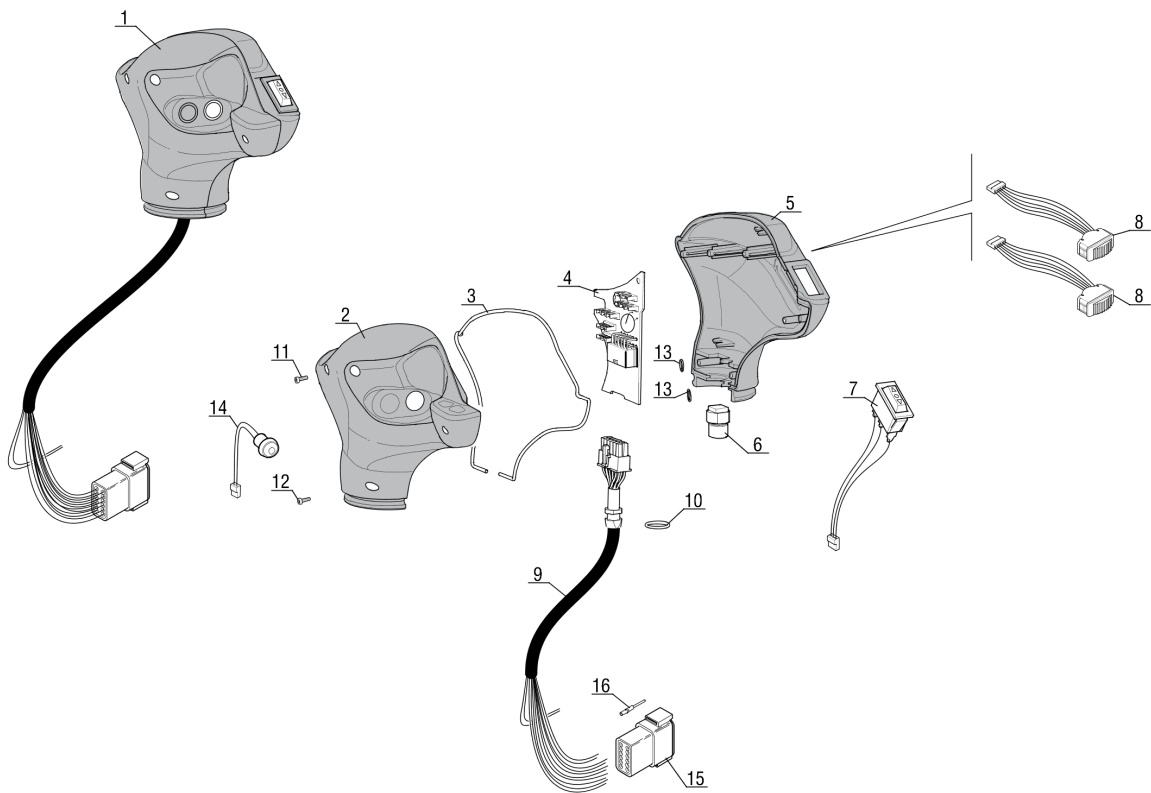
Item	Part No.	Name	Characteristics	Qty	Superseded PartNumber	Product Type
1	290603	Manipulator JSM		1		MT 1440 PRIVILEGE, MT 1044 PRIVILEGE, MT 1058 PRIVILEGE, MT 1840 PRIVILEGE
2	706145	Right-hand housing		1		MT 1440 PRIVILEGE, MT 1044 PRIVILEGE, MT 1058 PRIVILEGE, MT 1840 PRIVILEGE
3	958027	o-ring		1	706143	MT 1440 PRIVILEGE, MT 1044 PRIVILEGE, MT 1058 PRIVILEGE, MT 1840 PRIVILEGE
4	794723	Wiring		1		MT 1440 PRIVILEGE, MT 1044 PRIVILEGE, MT 1058 PRIVILEGE, MT 1840 PRIVILEGE
5	788421	Handle		1		MT 1440 PRIVILEGE, MT 1044 PRIVILEGE, MT 1058 PRIVILEGE, MT 1840 PRIVILEGE
6	958626	fairlead		1	706146	MT 1440 PRIVILEGE, MT 1044 PRIVILEGE, MT 1058 PRIVILEGE, MT 1840 PRIVILEGE
7	720341	Switch		1	705930	MT 1440 PRIVILEGE, MT 1044 PRIVILEGE, MT 1058 PRIVILEGE, MT 1840 PRIVILEGE
8	705933	Switch		2	775739	MT 1440 PRIVILEGE, MT 1044 PRIVILEGE, MT 1058 PRIVILEGE, MT 1840 PRIVILEGE
9	794723	Wiring		1		MT 1440 PRIVILEGE, MT 1044 PRIVILEGE, MT 1058 PRIVILEGE, MT 1840 PRIVILEGE
10	706147	Seal		1		MT 1440 PRIVILEGE, MT 1044 PRIVILEGE, MT 1058 PRIVILEGE, MT 1840 PRIVILEGE
11	746320	Screw		6		MT 1440 PRIVILEGE, MT 1044 PRIVILEGE, MT 1058 PRIVILEGE, MT 1840 PRIVILEGE
12	746321	Screw		2		MT 1440 PRIVILEGE, MT 1044 PRIVILEGE, MT 1058 PRIVILEGE, MT 1840 PRIVILEGE
13	746322	Seal		2		MT 1440 PRIVILEGE, MT 1044 PRIVILEGE, MT 1058 PRIVILEGE, MT 1840 PRIVILEGE
14	705164	connector	12 PINS	1		MT 1440 PRIVILEGE, MT 1044 PRIVILEGE, MT 1058 PRIVILEGE, MT 1840 PRIVILEGE
15	704564	Male cable terminal		14		MT 1440 PRIVILEGE, MT 1044 PRIVILEGE, MT 1058 PRIVILEGE, MT 1840 PRIVILEGE

10 EA 182

JUSQU' A LA MACHINE
BIS DER MASCHINE
HAS TA LA MAQUINA
UPT O MACHINE
FINO L A MACCHINA
→ N°: 238 667

HYDRAULIQUE (Détails)
HYDRAULIK (Einzelteile)
HIDRAULICO (Detalles)
HYDRAULIC (Details)
IDRAULICO (Dettaglio)

MT 1440 A PRIVILEGE
MT 1840 A PRIVILEGE



27 / 02 / 07
P.A.O. ILLUS

Item	Part No.	Name	Characteristics	Qty	Superseded PartNumber	Product Type
1	290605	Manipulator JSM		1		MT 1440 PRIVILEGE, MT 1044 PRIVILEGE, MT 1058 PRIVILEGE, MT 1840 PRIVILEGE
2	746323	R.H. housing		1		MT 1440 PRIVILEGE, MT 1044 PRIVILEGE, MT 1058 PRIVILEGE, MT 1840 PRIVILEGE
3	958027	o-ring		1	706143	MT 1440 PRIVILEGE, MT 1044 PRIVILEGE, MT 1058 PRIVILEGE, MT 1840 PRIVILEGE
4	794723	Wiring		1		MT 1440 PRIVILEGE, MT 1044 PRIVILEGE, MT 1058 PRIVILEGE, MT 1840 PRIVILEGE
5	788421	Handle		1		MT 1440 PRIVILEGE, MT 1044 PRIVILEGE, MT 1058 PRIVILEGE, MT 1840 PRIVILEGE
6	958626	fairlead		1	706146	MT 1440 PRIVILEGE, MT 1044 PRIVILEGE, MT 1058 PRIVILEGE, MT 1840 PRIVILEGE
7	720341	Switch		1	705930	MT 1440 PRIVILEGE, MT 1044 PRIVILEGE, MT 1058 PRIVILEGE, MT 1840 PRIVILEGE
8	705933	Switch		2	775739	MT 1440 PRIVILEGE, MT 1044 PRIVILEGE, MT 1058 PRIVILEGE, MT 1840 PRIVILEGE
9	794723	Wiring		1		MT 1440 PRIVILEGE, MT 1044 PRIVILEGE, MT 1058 PRIVILEGE, MT 1840 PRIVILEGE
10	706147	Seal		1		MT 1440 PRIVILEGE, MT 1044 PRIVILEGE, MT 1058 PRIVILEGE, MT 1840 PRIVILEGE
11	746320	Screw		6		MT 1440 PRIVILEGE, MT 1044 PRIVILEGE, MT 1058 PRIVILEGE, MT 1840 PRIVILEGE
12	746321	Screw		2		MT 1440 PRIVILEGE, MT 1044 PRIVILEGE, MT 1058 PRIVILEGE, MT 1840 PRIVILEGE
13	746322	Seal		2		MT 1440 PRIVILEGE, MT 1044 PRIVILEGE, MT 1058 PRIVILEGE, MT 1840 PRIVILEGE
14	705932	Switch		1		MT 1440 PRIVILEGE, MT 1044 PRIVILEGE, MT 1058 PRIVILEGE, MT 1840 PRIVILEGE
15	705164	connector	12 PINS	1		MT 1440 PRIVILEGE, MT 1044 PRIVILEGE, MT 1058 PRIVILEGE, MT 1840 PRIVILEGE
16	704564	Male cable terminal		14		MT 1440 PRIVILEGE, MT 1044 PRIVILEGE, MT 1058 PRIVILEGE, MT 1840 PRIVILEGE

10 EA 196

A PARTIR DE LA MACHINE
AB DER MASCHINE
A PARTIR DE LA MAQUINA
FROM MACHINE
A PARTIR DA MACCHINA

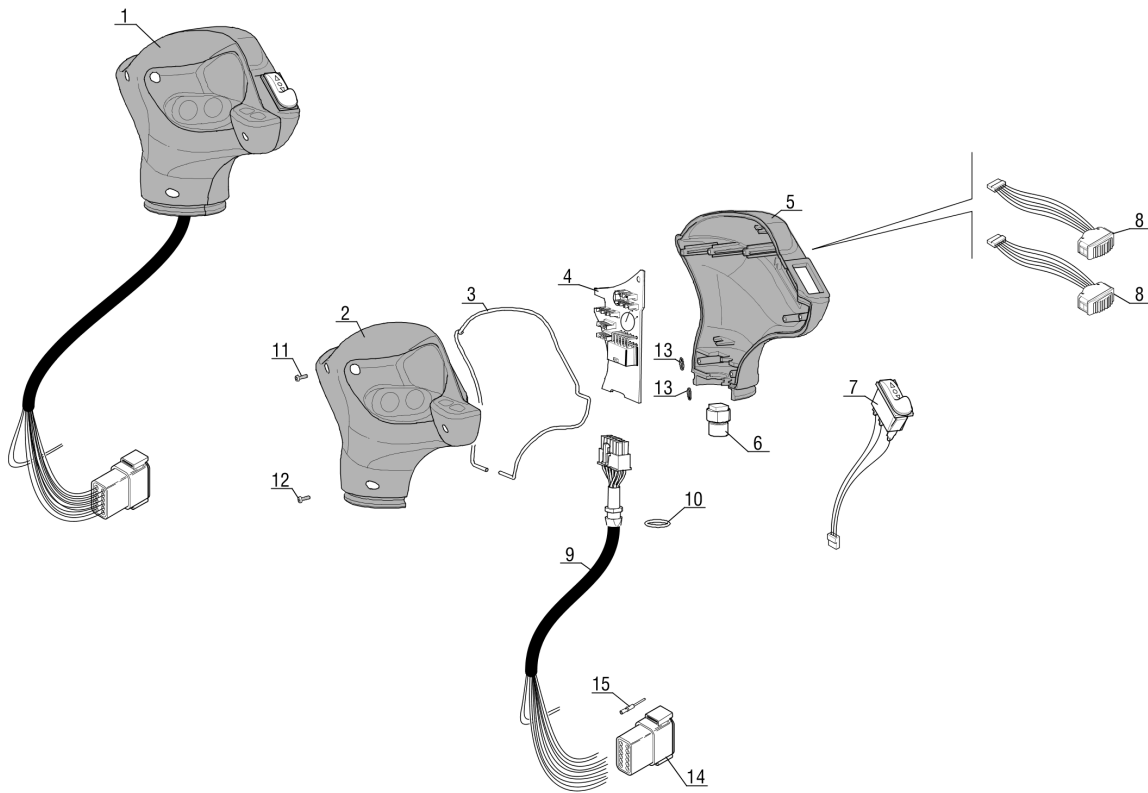
→ N°: 238 668

JUSQU'A LA MACHINE
BIS DER MASCHINE
HASTA LA MAQUINA
UP TO MACHINE
FINO LA MACCHINA

→ N°: 592 742

HYDRAULIQUE (Détails)
HYDRAULIK (Einzelteile)
HIDRAULICO (Detalles)
HYDRAULIC (Details)
IDRAULICO (Dettaglio)

MT 1440 PRIVILEGE
MT 1840 PRIVILEGE

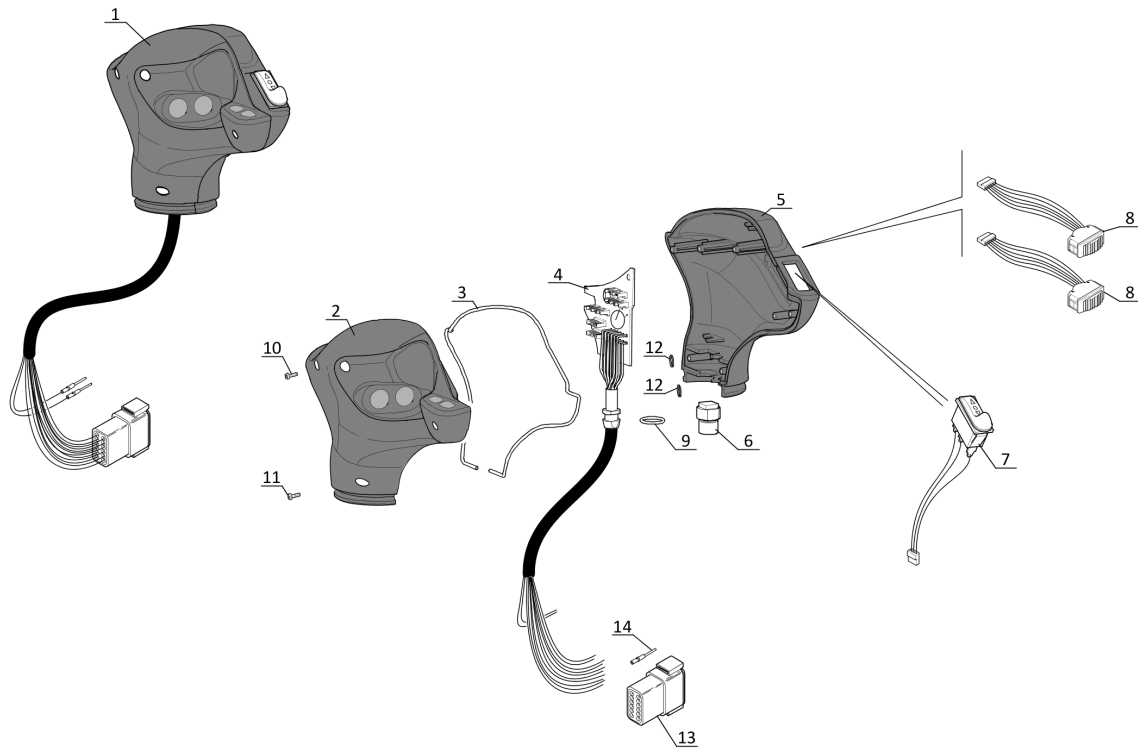


Item	Part No.	Name	Characteristics	Qty	Superseded PartNumber	Product Type
1	290603	Manipulator JSM		1		MT 1440 PRIVILEGE, MT 1044 PRIVILEGE, MT 1058 PRIVILEGE, MT 1840 PRIVILEGE
2	706145	Right-hand housing		1		MT 1440 PRIVILEGE, MT 1044 PRIVILEGE, MT 1058 PRIVILEGE, MT 1840 PRIVILEGE
3	958027	o-ring		1	706143	MT 1440 PRIVILEGE, MT 1044 PRIVILEGE, MT 1058 PRIVILEGE, MT 1840 PRIVILEGE
4	794723	Wiring		1		MT 1440 PRIVILEGE, MT 1044 PRIVILEGE, MT 1058 PRIVILEGE, MT 1840 PRIVILEGE
5	788421	Handle		1		MT 1440 PRIVILEGE, MT 1044 PRIVILEGE, MT 1058 PRIVILEGE, MT 1840 PRIVILEGE
6	958626	fairlead		1	706146	MT 1440 PRIVILEGE, MT 1044 PRIVILEGE, MT 1058 PRIVILEGE, MT 1840 PRIVILEGE
7	794722	Push Button		1		MT 1440 PRIVILEGE, MT 1044 PRIVILEGE, MT 1058 PRIVILEGE, MT 1840 PRIVILEGE
8	746606	Push Button		2		MT 1440 PRIVILEGE, MT 1044 PRIVILEGE, MT 1058 PRIVILEGE, MT 1840 PRIVILEGE
9	794723	Wiring		1		MT 1440 PRIVILEGE, MT 1044 PRIVILEGE, MT 1058 PRIVILEGE, MT 1840 PRIVILEGE
10	706147	Seal		1		MT 1440 PRIVILEGE, MT 1044 PRIVILEGE, MT 1058 PRIVILEGE, MT 1840 PRIVILEGE
11	746320	Screw		6		MT 1440 PRIVILEGE, MT 1044 PRIVILEGE, MT 1058 PRIVILEGE, MT 1840 PRIVILEGE
12	746321	Screw		2		MT 1440 PRIVILEGE, MT 1044 PRIVILEGE, MT 1058 PRIVILEGE, MT 1840 PRIVILEGE
13	746322	Seal		2		MT 1440 PRIVILEGE, MT 1044 PRIVILEGE, MT 1058 PRIVILEGE, MT 1840 PRIVILEGE
14	705164	connector	12 PINS	1		MT 1440 PRIVILEGE, MT 1044 PRIVILEGE, MT 1058 PRIVILEGE, MT 1840 PRIVILEGE
15	704564	Male cable terminal		14		MT 1440 PRIVILEGE, MT 1044 PRIVILEGE, MT 1058 PRIVILEGE, MT 1840 PRIVILEGE

10 EA 260

HYDRAULIQUE (Détails)
HYDRAULIK (Einzelteile)
HIDRAULICO (Detalles)
HYDRAULIC (Details)
IDRAULICO (Dettaglio)

MLT 625 - 75 H Série1-E3



18/03/11
P.A.O. IIIUS

Item	Part No.	Name	Characteristics	Qty	Superseded PartNumber	Product Type
1	290603	Manipulator JSM		1		MT 1440 PRIVILEGE, MT 1044 PRIVILEGE, MT 1058 PRIVILEGE, MT 1840 PRIVILEGE
2	706145	Right-hand housing		1		MT 1440 PRIVILEGE, MT 1044 PRIVILEGE, MT 1058 PRIVILEGE, MT 1840 PRIVILEGE
3	958027	o-ring		1	706143	MT 1440 PRIVILEGE, MT 1044 PRIVILEGE, MT 1058 PRIVILEGE, MT 1840 PRIVILEGE
4	794723	Wiring		1		MT 1440 PRIVILEGE, MT 1044 PRIVILEGE, MT 1058 PRIVILEGE, MT 1840 PRIVILEGE
5	788421	Handle		1		MT 1440 PRIVILEGE, MT 1044 PRIVILEGE, MT 1058 PRIVILEGE, MT 1840 PRIVILEGE
6	958626	fairlead		1	706146	MT 1440 PRIVILEGE, MT 1044 PRIVILEGE, MT 1058 PRIVILEGE, MT 1840 PRIVILEGE
7	794722	Push Button		1		MT 1440 PRIVILEGE, MT 1044 PRIVILEGE, MT 1058 PRIVILEGE, MT 1840 PRIVILEGE
8	746606	Push Button		2		MT 1440 PRIVILEGE, MT 1044 PRIVILEGE, MT 1058 PRIVILEGE, MT 1840 PRIVILEGE
9	706147	Seal		1		MT 1440 PRIVILEGE, MT 1044 PRIVILEGE, MT 1058 PRIVILEGE, MT 1840 PRIVILEGE
10	746320	Screw		6		MT 1440 PRIVILEGE, MT 1044 PRIVILEGE, MT 1058 PRIVILEGE, MT 1840 PRIVILEGE
11	746321	Screw		2		MT 1440 PRIVILEGE, MT 1044 PRIVILEGE, MT 1058 PRIVILEGE, MT 1840 PRIVILEGE
12	746322	Seal		2		MT 1440 PRIVILEGE, MT 1044 PRIVILEGE, MT 1058 PRIVILEGE, MT 1840 PRIVILEGE
13	705164	connector	12 PINS	1		MT 1440 PRIVILEGE, MT 1044 PRIVILEGE, MT 1058 PRIVILEGE, MT 1840 PRIVILEGE
14	704564	Male cable terminal		14		MT 1440 PRIVILEGE, MT 1044 PRIVILEGE, MT 1058 PRIVILEGE, MT 1840 PRIVILEGE

_CIRCUIT - HARNESS

11 AA 1017

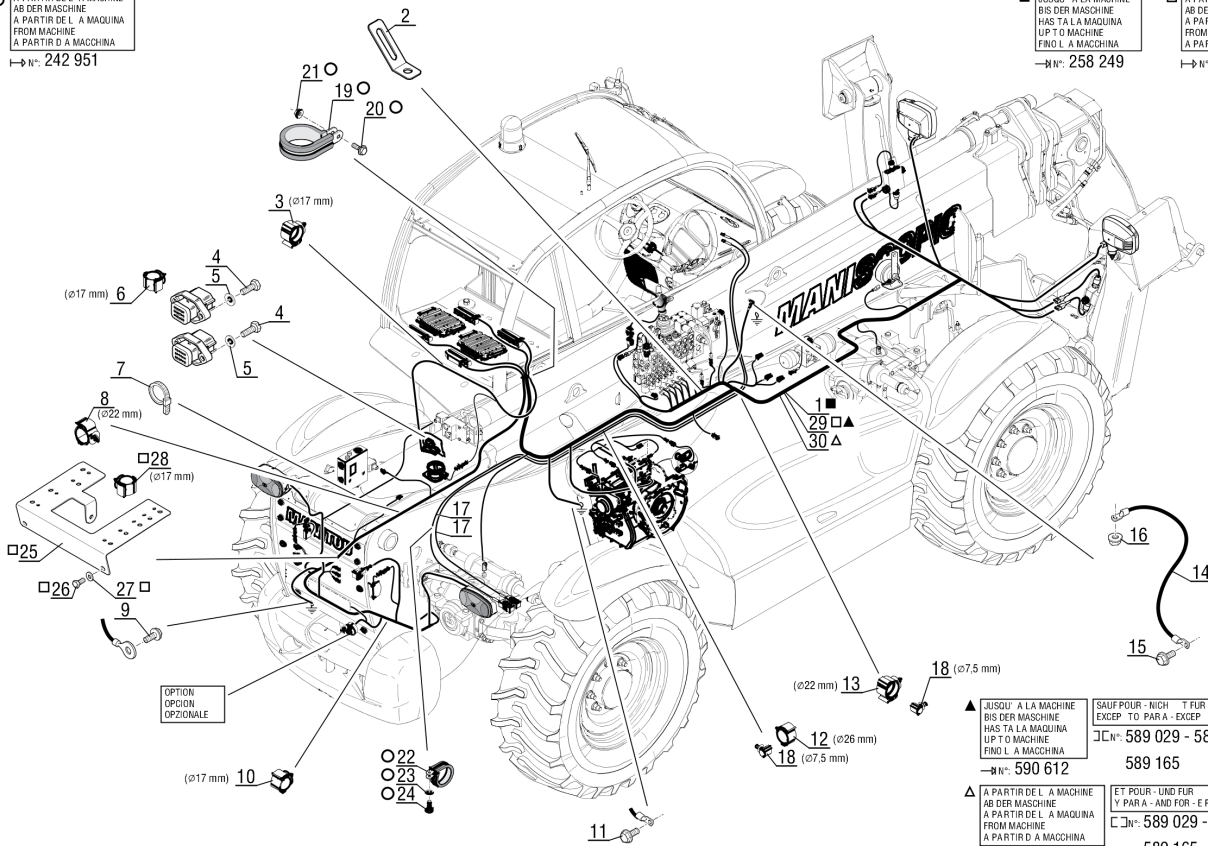
REPLACEE PAR PLANCHE 11 AA 1612
 ERSETZEN ZU ZEICHNUNG 11 AA 1612
 REEMPLAZADO PAR A DIBUJO 11 AA 1612
 REPLACED BY DRAWING 11 AA 1612
 SOSTITUIRE PER TAVOLA 11 AA 1612

MT 1840 PRIVILEGE

○ A PARTIR DE LA MACHINE
 AB DER MASCHINE
 A PARTIR DE LA MAQUINA
 FROM MACHINE
 A PARTIR D A MACCHINA
 → N°: 242 951

■ JUSQU' A LA MACHINE
 BIS DER MASCHINE
 HAS TA LA MAQUINA
 UP TO MACHINE
 FINO L A MACCHINA
 → N°: 258 249

□ A PARTIR DE LA MACHINE
 AB DER MASCHINE
 A PARTIR DE LA MAQUINA
 FROM MACHINE
 A PARTIR D A MACCHINA
 → N°: 258 250



▲ JUSQU' A LA MACHINE
 BIS DER MASCHINE
 HAS TA LA MAQUINA
 UP TO MACHINE
 FINO L A MACCHINA
 → N°: 590 612

SAUF POUR - NICH T FUR
 EXCEPT PARA - EXCEPT FOR - TRAMIE PER
 □ N°: 589 029 - 589 122
 589 165

△ A PARTIR DE LA MACHINE
 AB DER MASCHINE
 A PARTIR DE LA MAQUINA
 FROM MACHINE
 A PARTIR D A MACCHINA
 → N°: 590 613

ET POUR - UND FUR
 Y PARA - AND FOR - E PER
 □ N°: 589 029 - 589 122
 589 165

11 AA 1019

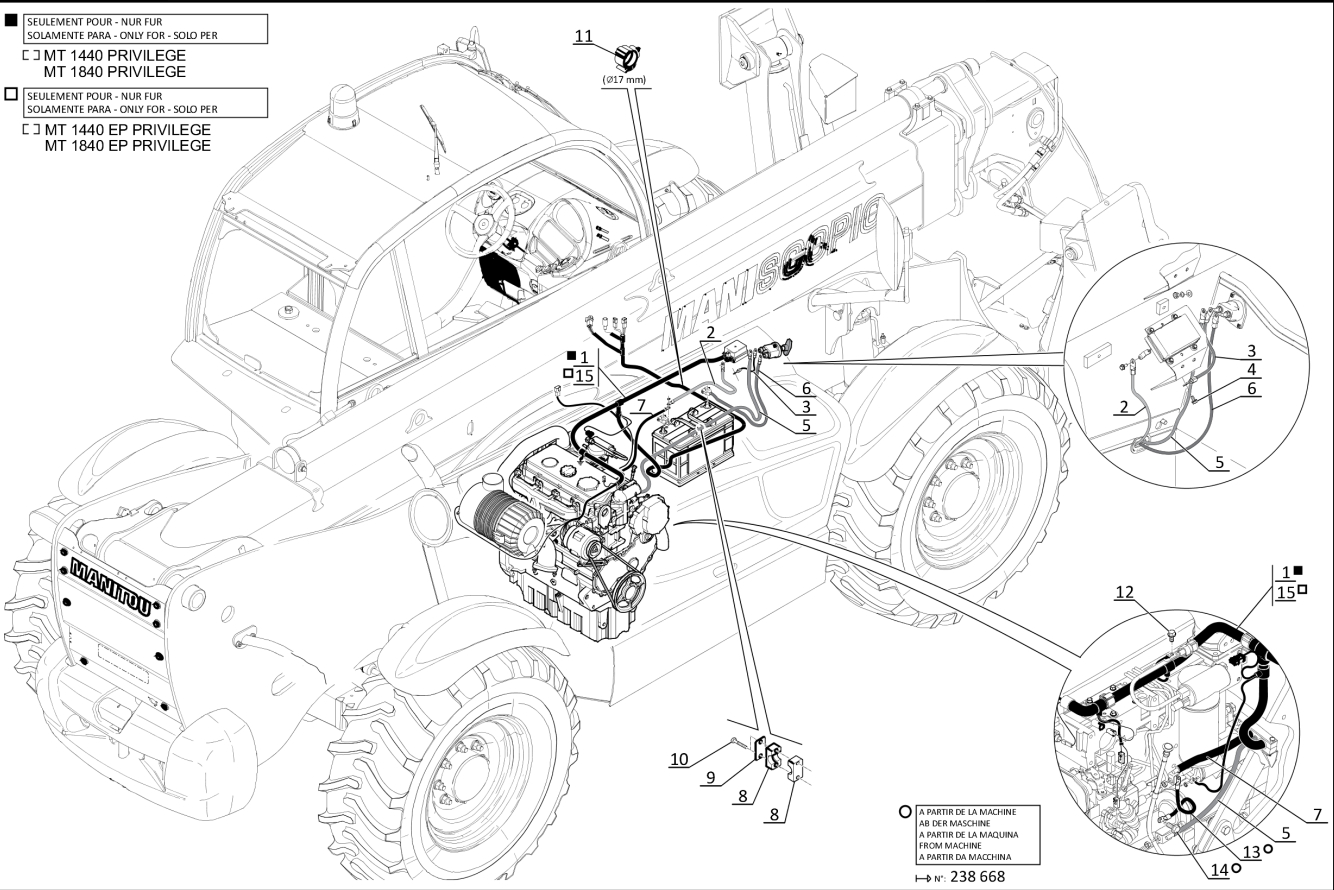
JUSQU'A LA MACHINE
BIS DER MASCHINE
HASTA LA MAQUINA
UP TO MACHINE
FINO LA MACCHINA

→ N°: 249 701

CIRCUIT ELECTRIQUE
STROMKREIS
CIRCUITO ELECTRICO
ELECTRIC CIRCUIT
IMPIANTO ELETTRICO

MT 1440 PRIVILEGE
MT 1440 EP PRIVILEGE
MT 1840 PRIVILEGE
MT 1840 EP PRIVILEGE

- SEULEMENT POUR - NUR FÜR
SOLAMENTE PARA - ONLY FOR - SOLO PER
- MT 1440 PRIVILEGE
MT 1840 PRIVILEGE
- SEULEMENT POUR - NUR FÜR
SOLAMENTE PARA - ONLY FOR - SOLO PER
- MT 1440 EP PRIVILEGE
MT 1840 EP PRIVILEGE



P.A. O. Illus

Item	Part No.	Name	Characteristics	Qty	Superseded PartNumber	Product Type
1	260571	Engine wiring harness		1		MT 1840 EP PRIVILEGE, MT 1440 PRIVILEGE, MT 1044 PRIVILEGE, MT 1058 EP PRIVILEGE, MT 1058 PRIVILEGE, MT 1840 PRIVILEGE, MT 1044 EP PRIVILEGE, MT 1440 EP PRIVILEGE
2	266387	Cable		1		MT 1840 EP PRIVILEGE, MT 1440 PRIVILEGE, MT 1044 PRIVILEGE, MT 1058 EP PRIVILEGE, MT 1058 PRIVILEGE, MT 1840 PRIVILEGE, MT 1044 EP PRIVILEGE, MT 1440 EP PRIVILEGE
3	260576	Cable		1		MT 1840 EP PRIVILEGE, MT 1440 PRIVILEGE, MT 1044 PRIVILEGE, MT 1058 EP PRIVILEGE, MT 1058 PRIVILEGE, MT 1840 PRIVILEGE, MT 1044 EP PRIVILEGE, MT 1440 EP PRIVILEGE
4	259946	Screw	M8	1		MT 1840 EP PRIVILEGE, MT 1440 PRIVILEGE, MT 1044 PRIVILEGE, MT 1058 EP PRIVILEGE, MT 1058 PRIVILEGE, MT 1840 PRIVILEGE, MT 1044 EP PRIVILEGE, MT 1440 EP PRIVILEGE
5	260575	Cable		1		MT 1840 EP PRIVILEGE, MT 1440 PRIVILEGE, MT 1044 PRIVILEGE, MT 1058 EP PRIVILEGE, MT 1058 PRIVILEGE, MT 1840 PRIVILEGE, MT 1044 EP PRIVILEGE, MT 1440 EP PRIVILEGE
6	260776	Cable		1	260574	MT 1840 EP PRIVILEGE, MT 1440 PRIVILEGE, MT 1044 PRIVILEGE, MT 1058 EP PRIVILEGE, MT 1058 PRIVILEGE, MT 1840 PRIVILEGE, MT 1044 EP PRIVILEGE, MT 1440 EP PRIVILEGE
7	260572	Cable		1		MT 1840 EP PRIVILEGE, MT 1440 PRIVILEGE, MT 1044 PRIVILEGE, MT 1058 EP PRIVILEGE, MT 1058 PRIVILEGE, MT 1840 PRIVILEGE, MT 1044 EP PRIVILEGE, MT 1440 EP PRIVILEGE
8	168486	Half clamp		2		MT 1840 EP PRIVILEGE, MT 1440 PRIVILEGE, MT 1044 PRIVILEGE, MT 1058 EP PRIVILEGE, MT 1058 PRIVILEGE, MT 1840 PRIVILEGE, MT 1044 EP PRIVILEGE, MT 1440 EP PRIVILEGE
9	168490	Protection plate		1		MT 1840 EP PRIVILEGE, MT 1440 PRIVILEGE, MT 1044 PRIVILEGE, MT 1058 EP PRIVILEGE, MT 1058 PRIVILEGE, MT 1840 PRIVILEGE, MT 1044 EP PRIVILEGE, MT 1440 EP PRIVILEGE
10	54284	Screw	HM6	2		MT 1840 EP PRIVILEGE, MT 1440 PRIVILEGE, MT 1044 PRIVILEGE, MT 1058 EP PRIVILEGE, MT 1058 PRIVILEGE, MT 1840 PRIVILEGE, MT 1044 EP PRIVILEGE, MT 1440 EP PRIVILEGE
11	260475	Clamp		3		MT 1840 EP PRIVILEGE, MT 1440 PRIVILEGE, MT 1044 PRIVILEGE, MT 1058 EP PRIVILEGE, MT 1058 PRIVILEGE, MT 1840 PRIVILEGE, MT 1044 EP PRIVILEGE, MT 1440 EP PRIVILEGE

Item	Part No.	Name	Characteristics	Qty	Superseded PartNumber	Product Type
12	259946	Screw	M8	1		MT 1840 EP PRIVILEGE, MT 1440 PRIVILEGE, MT 1044 PRIVILEGE, MT 1058 EP PRIVILEGE, MT 1058 PRIVILEGE, MT 1840 PRIVILEGE, MT 1044 EP PRIVILEGE, MT 1440 EP PRIVILEGE
13	266382	Cable		1		MT 1840 EP PRIVILEGE, MT 1440 PRIVILEGE, MT 1044 PRIVILEGE, MT 1058 EP PRIVILEGE, MT 1058 PRIVILEGE, MT 1840 PRIVILEGE, MT 1044 EP PRIVILEGE, MT 1440 EP PRIVILEGE
14	259946	Screw	M8	1		MT 1840 EP PRIVILEGE, MT 1440 PRIVILEGE, MT 1044 PRIVILEGE, MT 1058 EP PRIVILEGE, MT 1058 PRIVILEGE, MT 1840 PRIVILEGE, MT 1044 EP PRIVILEGE, MT 1440 EP PRIVILEGE
15	261709	Engine wiring harness		1		MT 1840 EP PRIVILEGE, MT 1440 PRIVILEGE, MT 1044 PRIVILEGE, MT 1058 EP PRIVILEGE, MT 1058 PRIVILEGE, MT 1840 PRIVILEGE, MT 1044 EP PRIVILEGE, MT 1440 EP PRIVILEGE

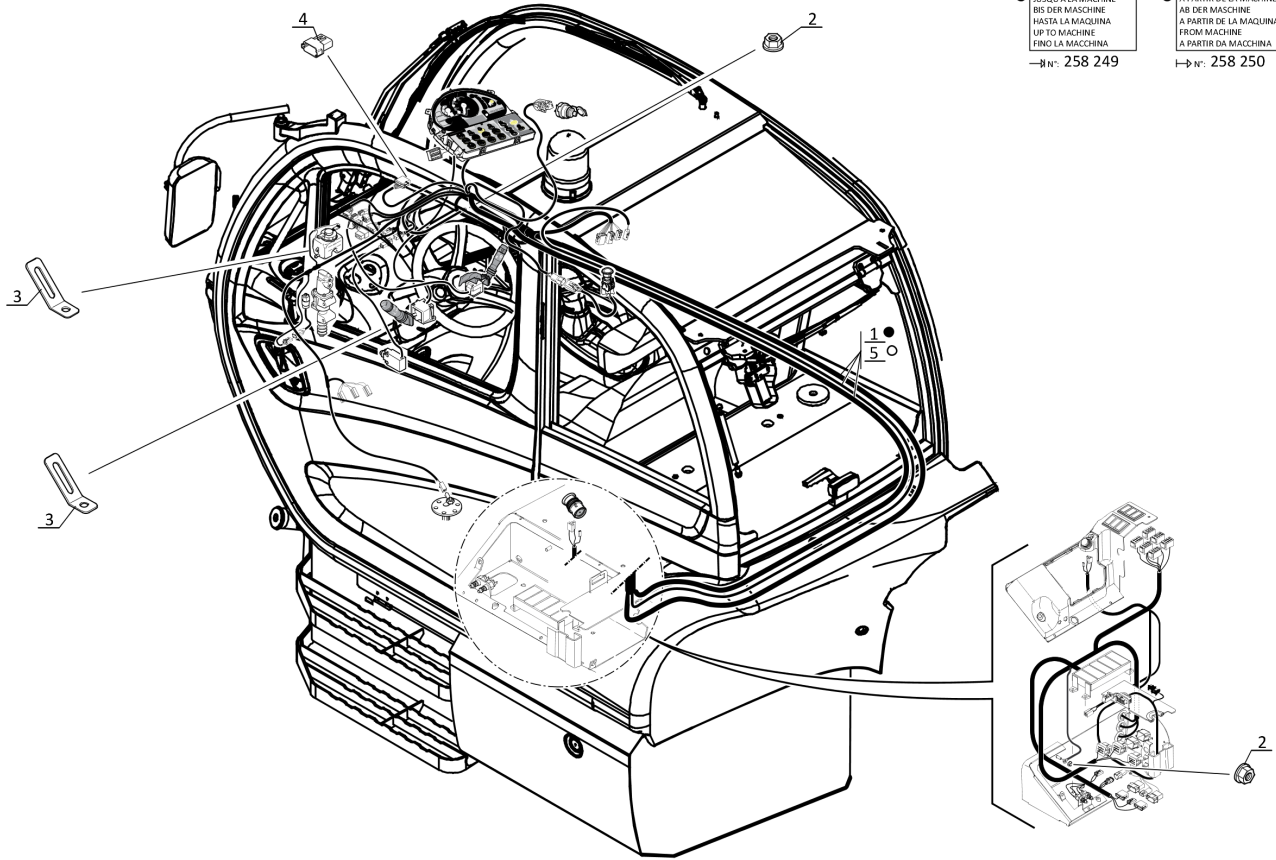
11 AA 1020

CIRCUIT ELECTRIQUE
STROMKREIS
CIRCUITO ELECTRICO
ELECTRIC CIRCUIT
IMPIANTO ELETTRICO

MT 1440 PRIVILEGE
MT 1840 PRIVILEGE

● JUSQU'À LA MACHINE
BIß DER MASCHINE
HASTA LA MAQUINA
UP TO MACHINE
FINO LA MACCHINA
→ N°: 258 249

○ À PARTIR DE LA MACHINE
AB DER MASCHINE
À PARTIR DE LA MAQUINA
FROM MACHINE
A PARTIR DA MACCHINA
→ N°: 258 250



27 / 05 / 10

P.A.O. - Il Ius

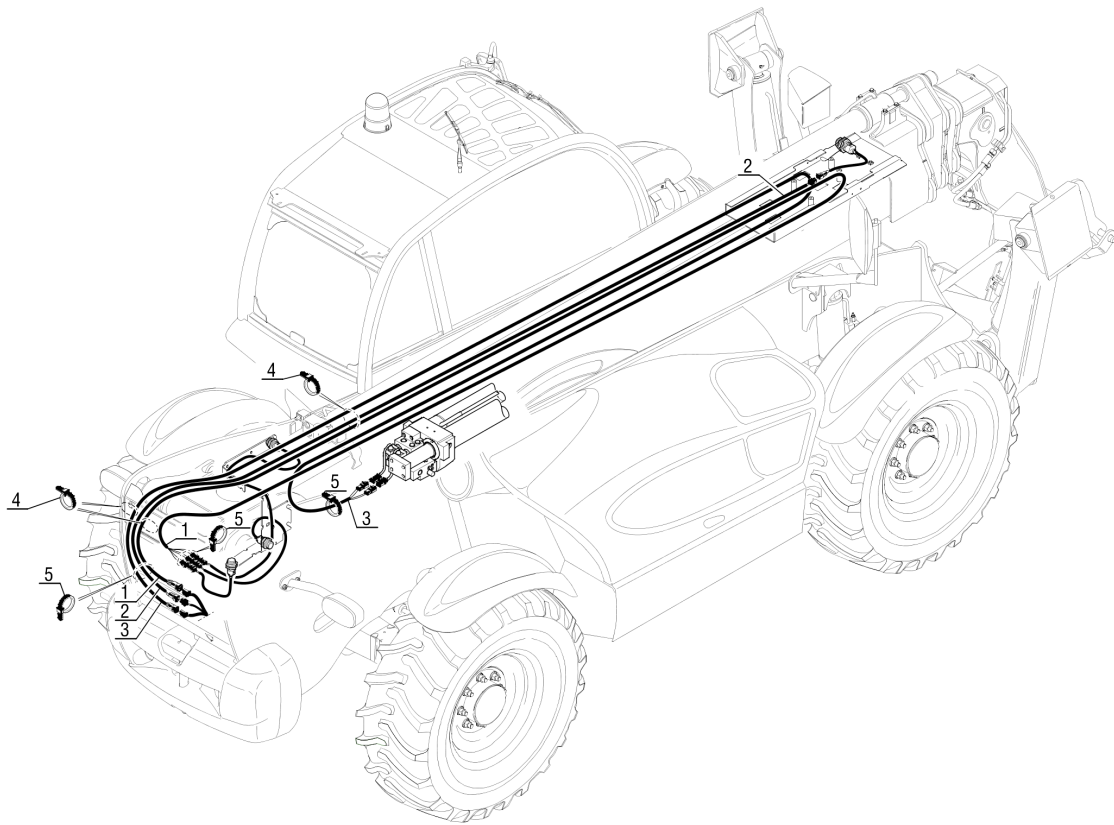
Item	Part No.	Name	Characteristics	Qty	Superseded PartNumber	Product Type
1	268604	Wiring harness		1		MT 1440 PRIVILEGE, MT 1044 PRIVILEGE, MT 1058 PRIVILEGE, MT 1840 PRIVILEGE
2	254177	Nut	M8	2		MT 1440 PRIVILEGE, MT 1044 PRIVILEGE, MT 1058 PRIVILEGE, MT 1840 PRIVILEGE
3	229107	Flange		3		MT 1440 PRIVILEGE, MT 1044 PRIVILEGE, MT 1058 PRIVILEGE, MT 1840 PRIVILEGE
4	220408	Shunt		1		MT 1440 PRIVILEGE, MT 1044 PRIVILEGE, MT 1058 PRIVILEGE, MT 1840 PRIVILEGE
5	268604	Wiring harness		1		MT 1440 PRIVILEGE, MT 1044 PRIVILEGE, MT 1058 PRIVILEGE, MT 1840 PRIVILEGE

11 AA 1023

JUSQU' A LA MACHINE
BIS DER MASCHINE
HAS TA LA MAQUINA
UP T O MACHINE
FINO L A MACCHINA
—N°: 238 667

REPLACEE PAR PLANCHE 11 AA 1599
ERSETZEN ZU ZEICHNUNG 11 AA 1599
REEMPLAZADO PAR A DIBUJO 11 AA 1599
REPLACED BY DRAWING 11 AA 1599
SOSTITUIRE PER TAVOLA 11 AA 1599

MT 1840 PRIVILEGE
MT 1840 EP PRIVILEGE



12 / 09 / 11

P.A.O. illus

11 AA 1024

A PARTIR DE LA MACHINE
AB DER MASCHINE
A PARTIR DE LA MAQUINA
FROM MACHINE
A PARTIR DA MACCHINA

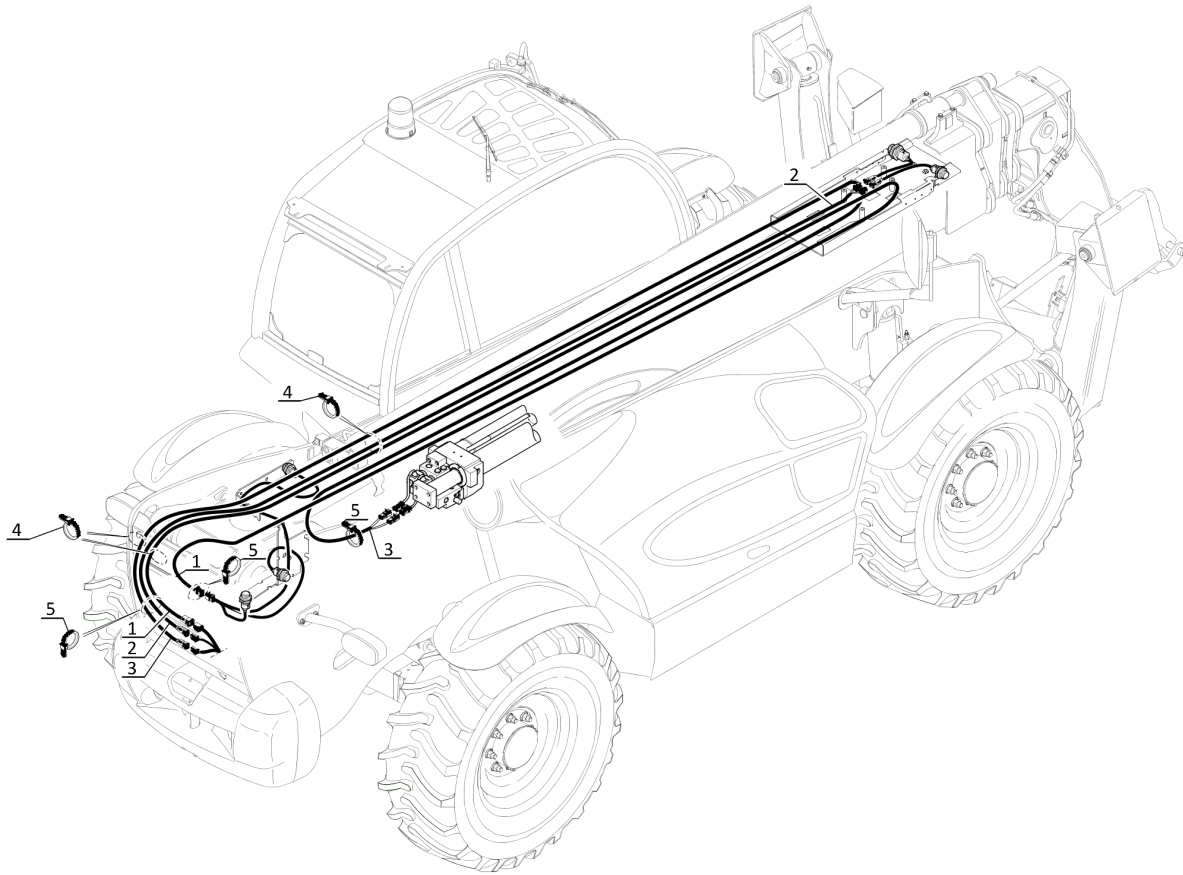
→ N°: 238 668

JUSQU'À LA MACHINE
BIS DER MASCHINE
HASTA LA MAQUINA
UP TO MACHINE
FINO LA MACCHINA

→ N°: 258 249

REPLACEE PAR PLANCHE 11 AA 1600
ERSETZEN ZU ZEICHNUNG 11 AA 1600
REEMPLAZADO PARA DIBUJO 11 AA 1600
REPLACED BY DRAWING 11 AA 1600
SOSTITUIRE PER TAVOLA 11 AA 1600

MT 1840 PRIVILEGE
MT 1840 EP PRIVILEGE



12/09/1 1

P.A. 0.1/11us

_CIRCUIT - HARNESS

11 AA 1202

A PARTIR DE LA MACHINE
AB DER MASCHINE
A PARTIR DE LA MAQUINA
FROM MACHINE
A PARTIR DA MACCHINA

→ N°: 249 702

CIRCUIT ELECTRIQUE
STROMKREIS
CIRCUITO ELECTRICO
ELECTRIC CIRCUIT
IMPIANTO ELETTRICO

MT 1440 PRIVILEGE
MT 1440 EP PRIVILEGE
MT 1840 PRIVILEGE
MT 1840 EP PRIVILEGE

■ SEULEMENT POUR - NUR FÜR
SOLAMENTE PARA - ONLY FOR - SOLO PER

□ MT 1440 PRIVILEGE
MT 1840 PRIVILEGE

□ SEULEMENT POUR - NUR FÜR
SOLAMENTE PARA - ONLY FOR - SOLO PER

□ MT 1440 EP PRIVILEGE
MT 1840 EP PRIVILEGE

● JUSQU'A LA MACHINE
BIS DER MASCHINE
HASTA LA MAQUINA
UP TO MACHINE
FINO LA MACCHINA

→ N°: 586 522

○ A PARTIR DE LA MACHINE
AB DER MASCHINE
A PARTIR DE LA MAQUINA
FROM MACHINE
A PARTIR DA MACCHINA

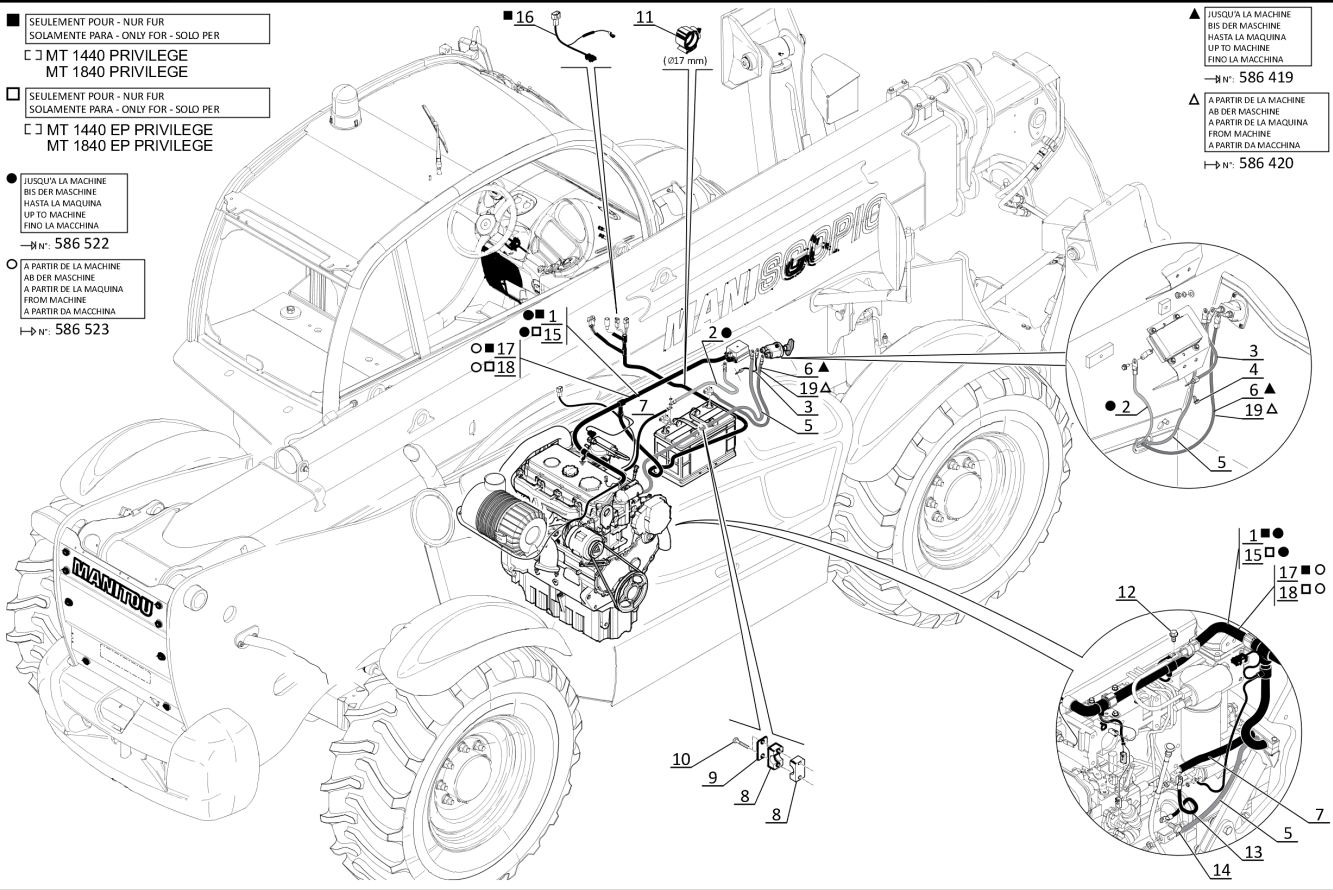
→ N°: 586 523

▲ JUSQU'A LA MACHINE
BIS DER MASCHINE
HASTA LA MAQUINA
UP TO MACHINE
FINO LA MACCHINA

→ N°: 586 419

△ A PARTIR DE LA MACHINE
AB DER MASCHINE
A PARTIR DE LA MAQUINA
FROM MACHINE
A PARTIR DA MACCHINA

→ N°: 586 420



28 / 05 / 10

P.A.O. illus

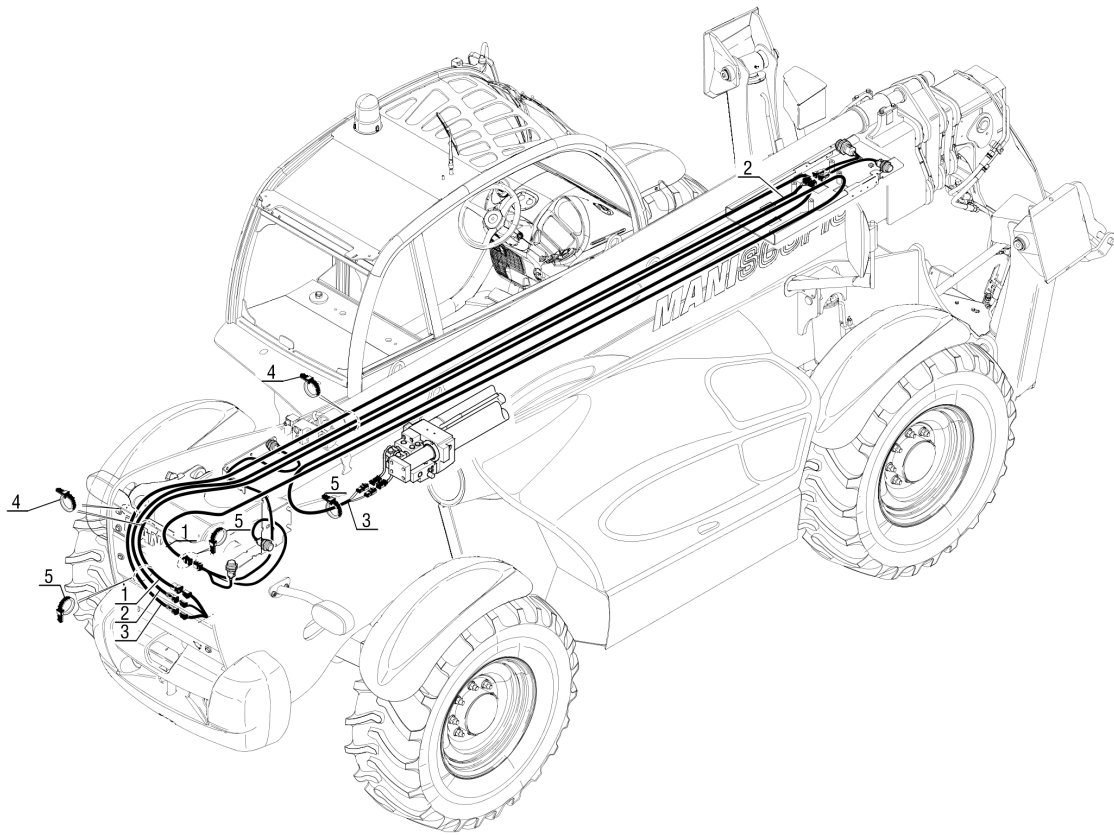
Item	Part No.	Name	Characteristics	Qty	Superseded PartNumber	Product Type
1	268594	Engine wiring harness		1		MT 1840 EP PRIVILEGE, MT 1440 PRIVILEGE, MT 1840 PRIVILEGE, MT 1440 EP PRIVILEGE
2	266387	Cable		1		MT 1840 EP PRIVILEGE, MT 1440 PRIVILEGE, MT 1840 PRIVILEGE, MT 1440 EP PRIVILEGE
3	260576	Cable		1		MT 1840 EP PRIVILEGE, MT 1440 PRIVILEGE, MT 1840 PRIVILEGE, MT 1440 EP PRIVILEGE
4	259946	Screw	M8	1		MT 1840 EP PRIVILEGE, MT 1440 PRIVILEGE, MT 1840 PRIVILEGE, MT 1440 EP PRIVILEGE
5	273085	Cable		1		MT 1840 EP PRIVILEGE, MT 1440 PRIVILEGE, MT 1840 PRIVILEGE, MT 1440 EP PRIVILEGE
6	260776	Cable		1	260574	MT 1840 EP PRIVILEGE, MT 1440 PRIVILEGE, MT 1840 PRIVILEGE, MT 1440 EP PRIVILEGE
7	273088	Cable		1		MT 1840 EP PRIVILEGE, MT 1440 PRIVILEGE, MT 1840 PRIVILEGE, MT 1440 EP PRIVILEGE
8	168850	Half clamp		2		MT 1840 EP PRIVILEGE, MT 1440 PRIVILEGE, MT 1840 PRIVILEGE, MT 1440 EP PRIVILEGE
9	168490	Protection plate		1		MT 1840 EP PRIVILEGE, MT 1440 PRIVILEGE, MT 1840 PRIVILEGE, MT 1440 EP PRIVILEGE
10	54284	Screw	HM6	2		MT 1840 EP PRIVILEGE, MT 1440 PRIVILEGE, MT 1840 PRIVILEGE, MT 1440 EP PRIVILEGE
11	260475	Clamp		1		MT 1840 EP PRIVILEGE, MT 1440 PRIVILEGE, MT 1840 PRIVILEGE, MT 1440 EP PRIVILEGE
12	259946	Screw	M8	1		MT 1840 EP PRIVILEGE, MT 1440 PRIVILEGE, MT 1840 PRIVILEGE, MT 1440 EP PRIVILEGE
13	266382	Cable		1		MT 1840 EP PRIVILEGE, MT 1440 PRIVILEGE, MT 1840 PRIVILEGE, MT 1440 EP PRIVILEGE
14	259946	Screw	M8	1		MT 1840 EP PRIVILEGE, MT 1440 PRIVILEGE, MT 1840 PRIVILEGE, MT 1440 EP PRIVILEGE
15	268595	Engine wiring harness		1		MT 1840 EP PRIVILEGE, MT 1440 PRIVILEGE, MT 1840 PRIVILEGE, MT 1440 EP PRIVILEGE
16	271924	Diode wiring harness		1		MT 1840 EP PRIVILEGE, MT 1440 PRIVILEGE, MT 1840 PRIVILEGE, MT 1440 EP PRIVILEGE
17	284000	Engine wiring harness		1		MT 1840 EP PRIVILEGE, MT 1440 PRIVILEGE, MT 1840 PRIVILEGE, MT 1440 EP PRIVILEGE
18	283529	Engine wiring harness		1		MT 1840 EP PRIVILEGE, MT 1440 PRIVILEGE, MT 1840 PRIVILEGE, MT 1440 EP PRIVILEGE
19	260776	Cable		1	260574	MT 1840 EP PRIVILEGE, MT 1440 PRIVILEGE, MT 1840 PRIVILEGE, MT 1440 EP PRIVILEGE

11 AA 1330

A PARTIR DE L A MACHINE
AB DER MASCHINE
A PARTIR DE L A MAQUINA
FROM MACHINE
A PARTIR D A MACCHINA
→ N°: 258 250

REPLACEE PAR PLANCHE 11 AA 1601
ERSETZEN ZU ZEICHNUNG 11 AA 1601
REEMPLAZADO PAR A DIBUJO 11 AA 1601
REPLACED BY DRAWING 11 AA 1601
SOSTITUIRE PER TAVOLA 11 AA 1601

MT 1840 PRIVILEGE
MT 1840 EP PRIVILEGE



P.A.O. illus

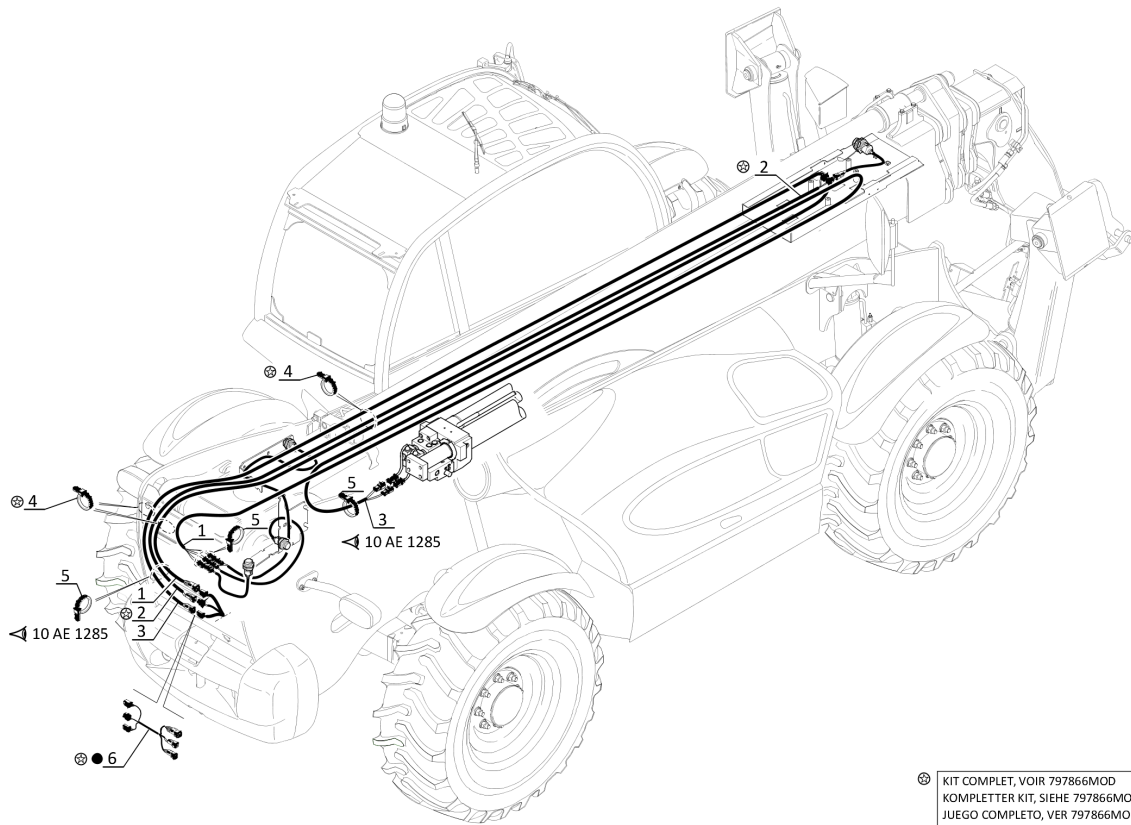
12 / 09 / 11

11 AA 1599

JUSQUA LA MACHINE
BIS DER MASCHINE
HASTA LA MAQUINA
UP TO MACHINE
FINO LA MACCHINA
—N°: 238 667

CIRCUIT ELECTRIQUE (Flèche)
STROMKREIS (Ausleger)
CIRCUITO ELECTRICO (Aguilon)
ELECTRIC CIRCUIT (Jib)
IMPIANTO ELETTRICO (Braccio)

MT 1840 PRIVILEGE
MT 1840 EP PRIVILEGE



14 / 06 / 1 2

P.A. O. I llus

Item	Part No.	Name	Characteristics	Qty	Superseded PartNumber	Product Type
1	260642	Wiring harness		1		MT 1840 EP PRIVILEGE, MT 1840 PRIVILEGE
2	276051	Wiring harness		1		MT 1840 EP PRIVILEGE, MT 1840 PRIVILEGE
4	164856	Clamp		16		MT 1840 EP PRIVILEGE, MT 1840 PRIVILEGE
5	21979	Clamp		9		MT 1840 EP PRIVILEGE, MT 1840 PRIVILEGE
6	282570	Wiring harness		1		MT 1840 EP PRIVILEGE, MT 1840 PRIVILEGE

11 AA 1600

A PARTIR DE LA MACHINE
AB DER MASCHINE
A PARTIR DE LA MAQUINA
FROM MACHINE
A PARTIR DA MACCHINA

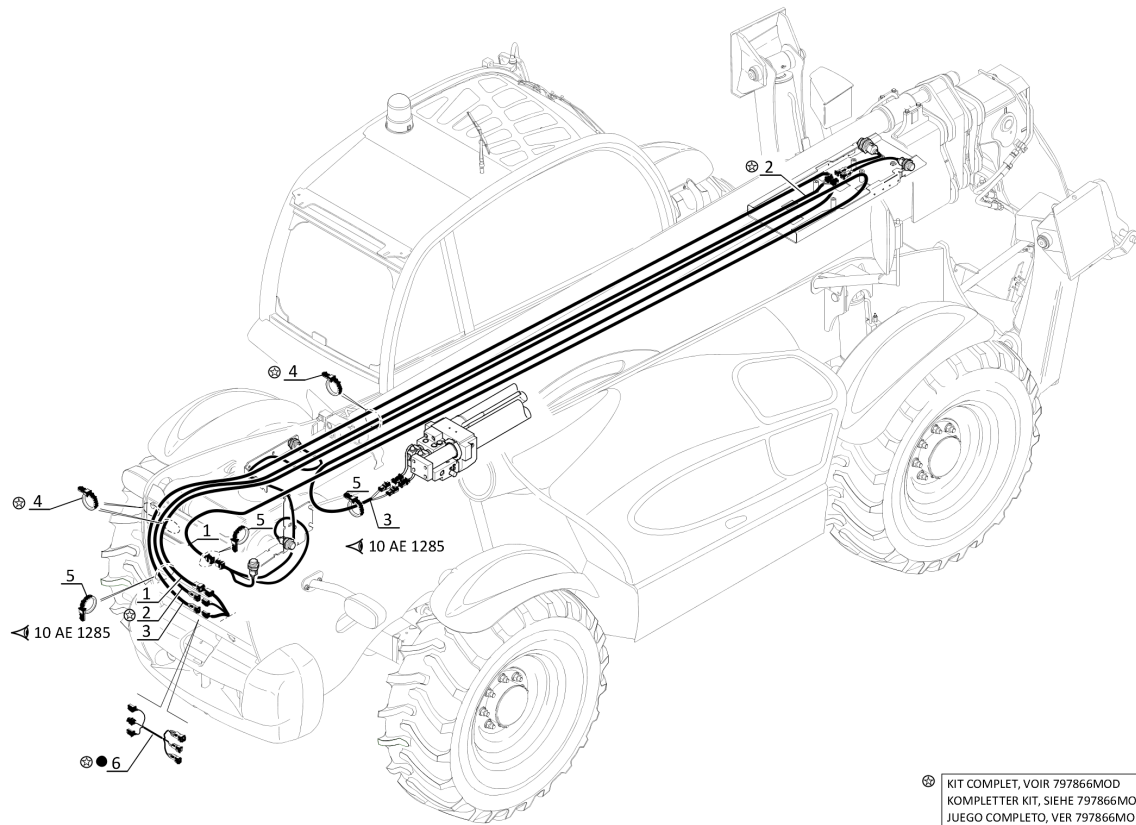
→ N°: 238 668

JUSQU'A LA MACHINE
BIS DER MASCHINE
HASTA LA MAQUINA
UP TO MACHINE
FINO LA MACCHINA

→ N°: 258 249

CIRCUIT ELECTRIQUE (Flèche)
STROMKREIS (Ausleger)
CIRCUITO ELECTICO (Aguilon)
ELECTRIC CIRCUIT (Jib)
IMPIANTO ELETTRICO (Braccio)

MT 1840 PRIVILEGE
MT 1840 EP PRIVILEGE



⊗ KIT COMPLET, VOIR 797866MOD
KOMPLETTER KIT, SIEHE 797866MOD
JUEGO COMPLETO, VER 797866MOD
COMPLETE KIT, SEE 797866MOD
KIT COMPLETO, VEDERE 797866MOD

JUSQU'A LA MACHINE
BIS DER MASCHINE
HASTA LA MAQUINA
UP TO MACHINE
FINO LA MACCHINA
● → N°: 258 249

P.A.O.illus

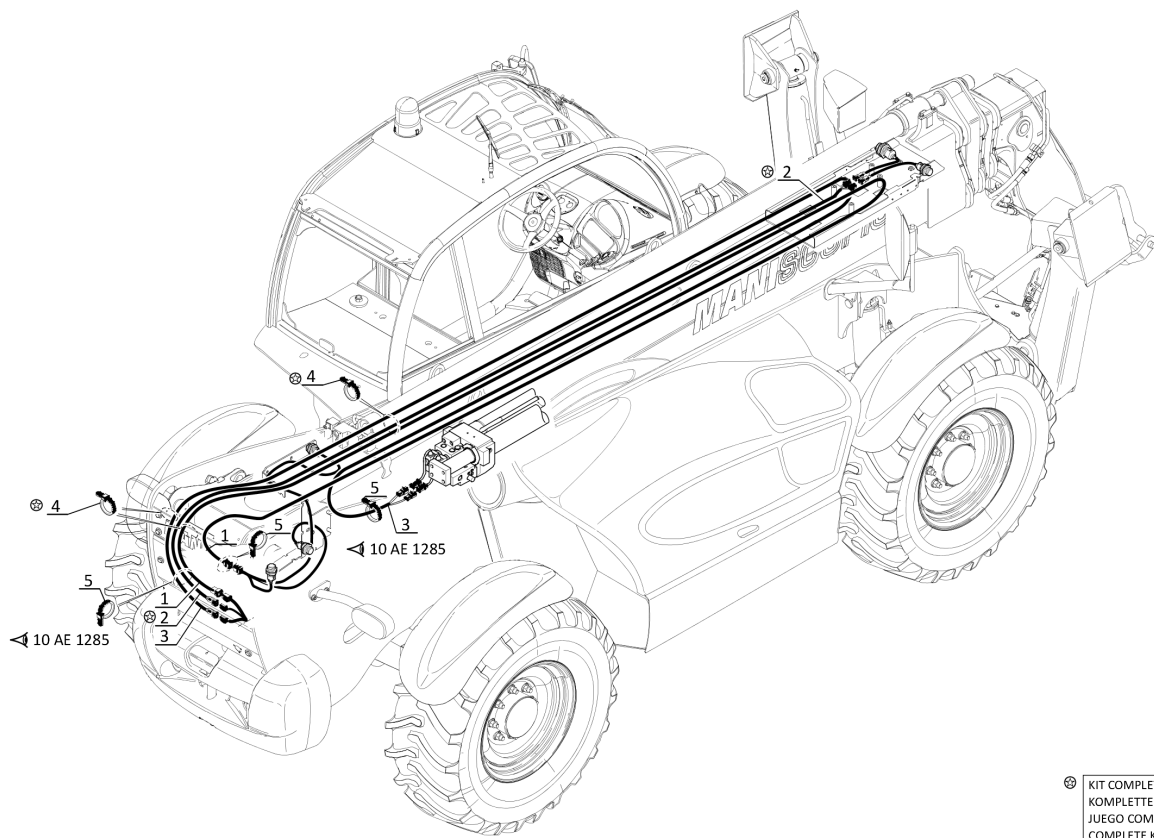
Item	Part No.	Name	Characteristics	Qty	Superseded PartNumber	Product Type
1	266701	Wiring harness		1		MT 1840 EP PRIVILEGE, MT 1840 PRIVILEGE
2	276051	Wiring harness		1		MT 1840 EP PRIVILEGE, MT 1840 PRIVILEGE
4	164856	Clamp		16		MT 1840 EP PRIVILEGE, MT 1840 PRIVILEGE
5	21979	Clamp		9		MT 1840 EP PRIVILEGE, MT 1840 PRIVILEGE
6	282570	Wiring harness		1		MT 1840 EP PRIVILEGE, MT 1840 PRIVILEGE

11 AA 1601

A PARTIR DE LA MACHINE
AB DER MASCHINE
A PARTIR DE LA MAQUINA
FROM MACHINE
A PARTIR DA MACCHINA
→ N°: 258 250

CIRCUIT ELECTRIQUE (Flèche)
STROMKREIS (Ausleger)
CIRCUITO ELECTRICO (Aguilon)
ELECTRIC CIRCUIT (Jib)
IMPIANTO ELETTRICO (Braccio)

MT 1840 PRIVILEGE
MT 1840 EP PRIVILEGE



⊗ KIT COMPLET, VOIR 797866MOD
KOMPLETTER KIT, SIEHE 797866MOD
JUEGO COMPLETO, VER 797866MOD
COMPLETE KIT, SEE 797866MOD
KIT COMPLETO, VEDERE 797866MOD

P.A.O.illus

14 / 06 / 1 2

Item	Part No.	Name	Characteristics	Qty	Superseded PartNumber	Product Type
1	276055	Wiring harness		1		MT 1840 EP PRIVILEGE, MT 1840 PRIVILEGE
2	276051	Wiring harness		1		MT 1840 EP PRIVILEGE, MT 1840 PRIVILEGE
4	164856	Clamp		16		MT 1840 EP PRIVILEGE, MT 1840 PRIVILEGE
5	21979	Clamp		9		MT 1840 EP PRIVILEGE, MT 1840 PRIVILEGE

CIRCUIT ELECTRIQUE
STROMKREIS
CIRCUITO ELECTRICO
ELECTRIC CIRCUIT
IMPIANTO ELETTRICO

MT 1840 PRIVILEGE

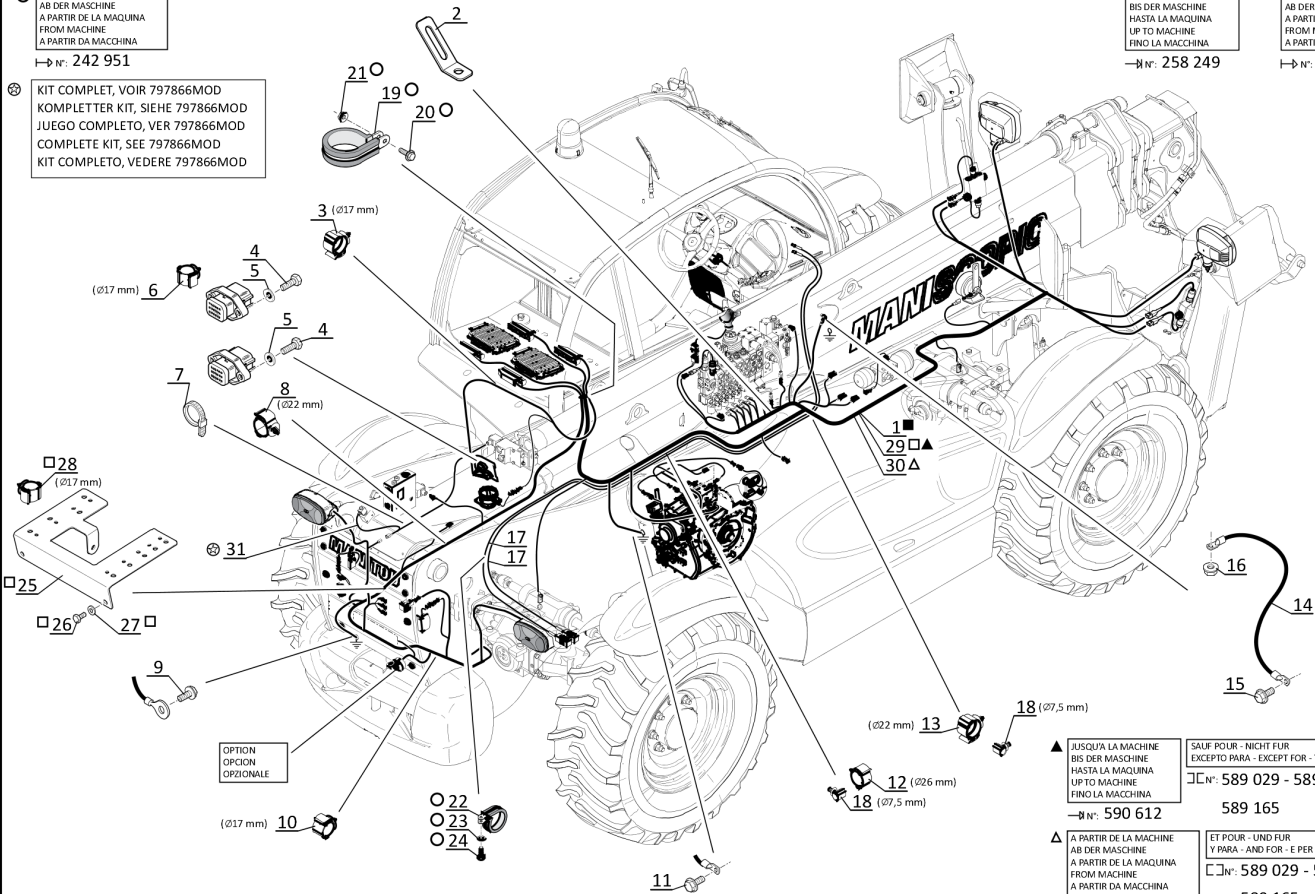
11 AA 1612

○ A PARTIR DE LA MACHINE
AB DER MASCHINE
A PARTIR DE LA MACQUINA
FROM MACHINE
A PARTIR DA MACCHINA
→ N°: 242 951

⊗ KIT COMPLET, VOIR 797866MOD
KOMPLETTER KIT, SIEHE 797866MOD
JUEGO COMPLETO, VER 797866MOD
COMPLETE KIT, SEE 797866MOD
KIT COMPLETO, VEDERE 797866MOD

■ JUSQU'A LA MACHINE
BIS DER MASCHINE
HASTA LA MACQUINA
UP TO MACHINE
FINO LA MACCHINA
→ N°: 258 249

□ A PARTIR DE LA MACHINE
AB DER MASCHINE
A PARTIR DE LA MACQUINA
FROM MACHINE
A PARTIR DA MACCHINA
→ N°: 258 250



OPTION
OPCION
OPZIONALE

▲ JUSQU'A LA MACHINE
BIS DER MASCHINE
HASTA LA MACQUINA
UP TO MACHINE
FINO LA MACCHINA
→ N°: 590 612

SAUF POUR - NICHT FÜR
EXCEPTO PARA - EXCEPT FOR - TRANNE PER
□ N°: 589 029 - 589 122
589 165

△ A PARTIR DE LA MACHINE
AB DER MASCHINE
A PARTIR DE LA MACQUINA
FROM MACHINE
A PARTIR DA MACCHINA
→ N°: 590 613

ET POUR - UND FÜR
Y PARA - AND FOR - E PER
□ N°: 589 029 - 589 122
589 165

Item	Part No.	Name	Characteristics	Qty	Superseded PartNumber	Product Type
1	260591	Main wiring harness		1		MT 1840 PRIVILEGE
2	229107	Flange		1		MT 1840 PRIVILEGE
3	260475	Clamp		2		MT 1840 PRIVILEGE
4	161008	Screw	HM5	4		MT 1840 PRIVILEGE
5	192310	Washer	M5	4		MT 1840 PRIVILEGE
6	260475	Clamp		1		MT 1840 PRIVILEGE
7	21979	Clamp		9		MT 1840 PRIVILEGE
8	260477	Clamp		1		MT 1840 PRIVILEGE
9	259946	Screw	M8	1		MT 1840 PRIVILEGE
10	260475	Clamp		1		MT 1840 PRIVILEGE
11	259946	Screw	M8	1		MT 1840 PRIVILEGE
12	260478	Clamp		6		MT 1840 PRIVILEGE
13	260477	Clamp		1		MT 1840 PRIVILEGE
14	260576	Cable		1		MT 1840 PRIVILEGE
15	259946	Screw	M8	1		MT 1840 PRIVILEGE
16	254177	Nut	M8	1		MT 1840 PRIVILEGE
17	260600	Strain-gauge		2		MT 1840 PRIVILEGE
18	260472	Clamp		12		MT 1840 PRIVILEGE
19	176926	Clamp		1		MT 1840 PRIVILEGE
20	264380	Screw	M8	1		MT 1840 PRIVILEGE
21	254177	Nut	M8	1		MT 1840 PRIVILEGE
22	238984	Clamp		1		MT 1840 PRIVILEGE
23	174132	Washer	M6	1		MT 1840 PRIVILEGE
24	25713	Screw	HM6	1		MT 1840 PRIVILEGE
25	276034	Mounting plate		1		MT 1840 PRIVILEGE
26	58525	Screw	HM6	2		MT 1840 PRIVILEGE
27	189857	Washer	M6	2		MT 1840 PRIVILEGE
28	260475	Clamp		1		MT 1840 PRIVILEGE
29	268597	Main wiring harness		1		MT 1840 PRIVILEGE
30	290176	Main wiring harness		1		MT 1840 PRIVILEGE
31	299329	Wiring harness		1		MT 1840 PRIVILEGE

_CIRCUIT - HARNESS

11 CB 1053

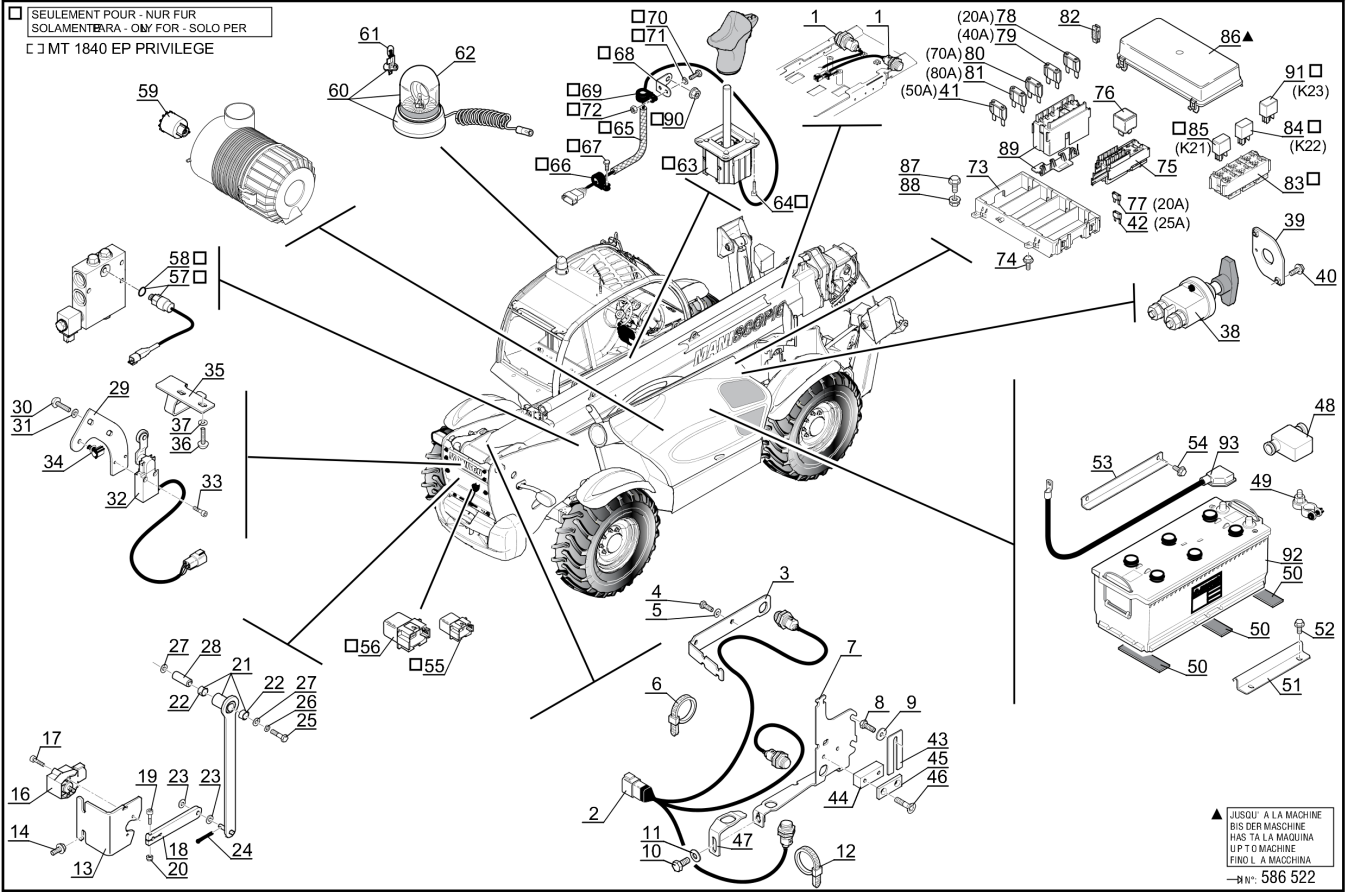
A PARTIR DEL A MACHINE
AB DER MASCHINE
A PARTIR DEL A MAQUINA
FROM MACHINE
A PARTIR D A MACCHINA

N°: 586 420

REPLACEE PAR PLANCHE 11 CB 1283
ERSETZEN ZU ZEICHNUNG 11 CB 1283
REEMPLAZADO PAR A DIBUJO 11 CB 1283
REPLACED BY DRAWING 11 CB 1283
SOSTITUIRE PER TAVOLA A 11 CB 1283

MT 1840 PRIVILEGE
MT 1840 EP PRIVILEGE

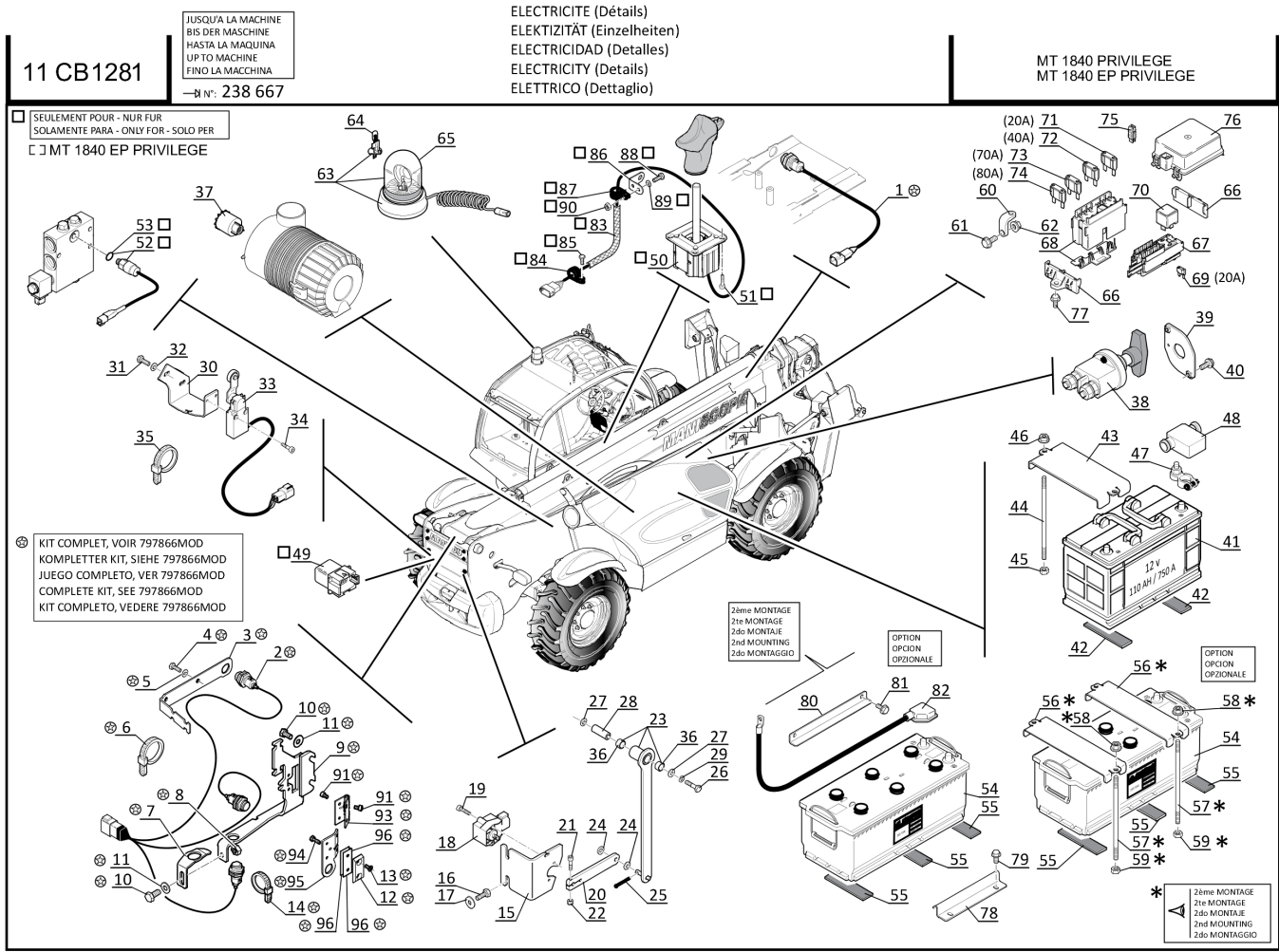
SEULEMENT POUR - NUR FÜR
SOLAMENTE PARA - ONLY FOR - SOLO PER
MT 1840 EP PRIVILEGE



▲ JUSQU' A LA MACHINE
BIS DER MASCHINE
HAS TA LA MAQUINA
UP TO MACHINE
FINO L A MACCHINA
N°: 586 522

P.A.O. illus

12 / 09 / 11



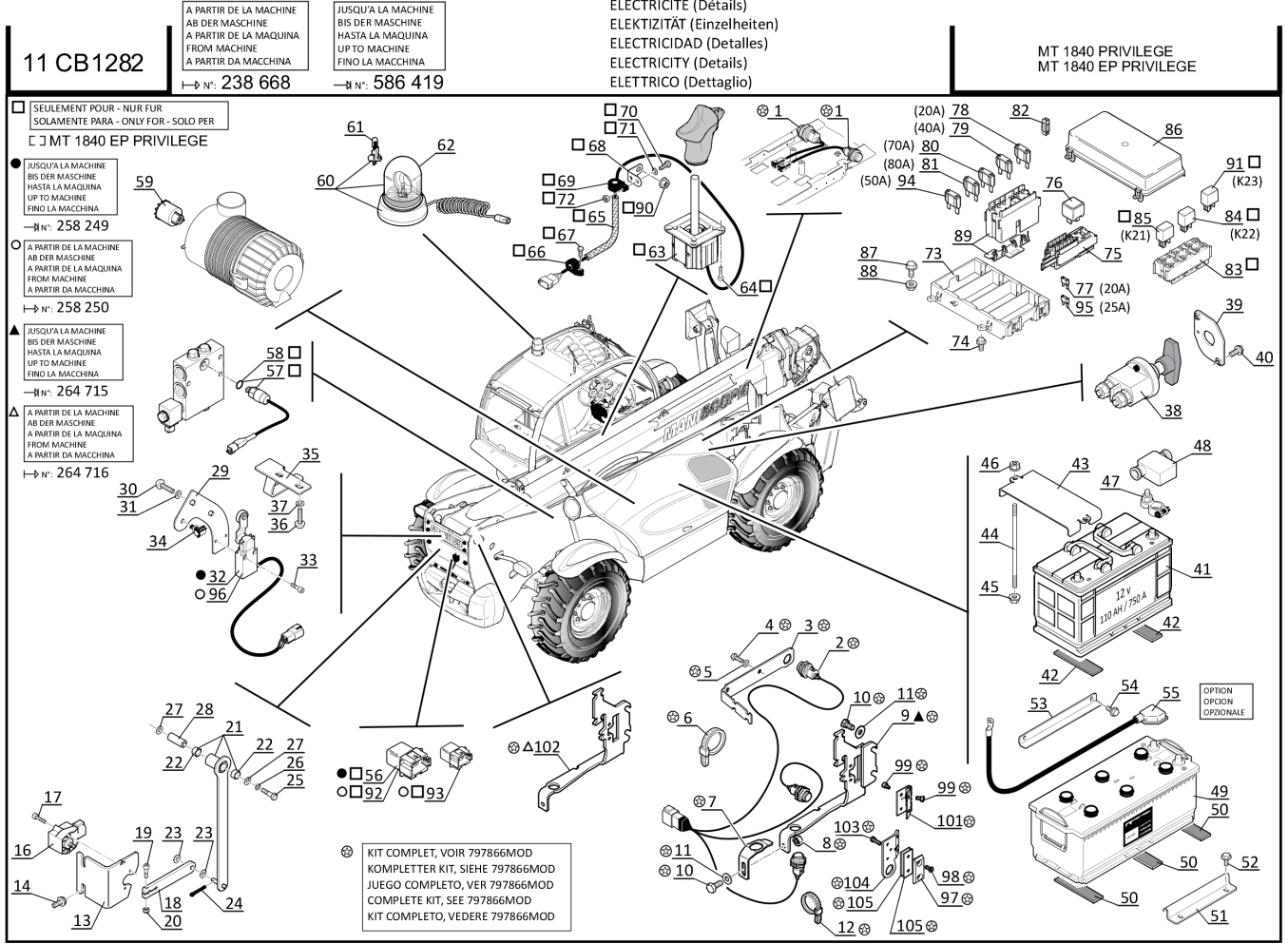
Item	Part No.	Name	Characteristics	Qty	Superseded PartNumber	Product Type
1	260638	Sensor		1		MT 1840 EP PRIVILEGE, MT 1058 EP PRIVILEGE, MT 1058 PRIVILEGE, MT 1840 PRIVILEGE
2	271056	Sensor		1		MT 1840 EP PRIVILEGE, MT 1058 EP PRIVILEGE, MT 1058 PRIVILEGE, MT 1840 PRIVILEGE
3	260681	Sensor bracket		1		MT 1840 EP PRIVILEGE, MT 1058 EP PRIVILEGE, MT 1058 PRIVILEGE, MT 1840 PRIVILEGE
4	261501	Screw	HM6	2		MT 1840 EP PRIVILEGE, MT 1058 EP PRIVILEGE, MT 1058 PRIVILEGE, MT 1840 PRIVILEGE
5	29469	Washer	M6	2		MT 1840 EP PRIVILEGE, MT 1058 EP PRIVILEGE, MT 1058 PRIVILEGE, MT 1840 PRIVILEGE
6	164856	Clamp		2		MT 1840 EP PRIVILEGE, MT 1058 EP PRIVILEGE, MT 1058 PRIVILEGE, MT 1840 PRIVILEGE
7	284301	Protection plate		1		MT 1840 EP PRIVILEGE, MT 1058 EP PRIVILEGE, MT 1058 PRIVILEGE, MT 1840 PRIVILEGE
8	58528	Nut	M8	1		MT 1840 EP PRIVILEGE, MT 1058 EP PRIVILEGE, MT 1058 PRIVILEGE, MT 1840 PRIVILEGE
9	294249	Sensor bracket		1		MT 1840 EP PRIVILEGE, MT 1058 EP PRIVILEGE, MT 1058 PRIVILEGE, MT 1840 PRIVILEGE
10	261503	Screw		3		MT 1840 EP PRIVILEGE, MT 1058 EP PRIVILEGE, MT 1058 PRIVILEGE, MT 1840 PRIVILEGE
11	29468	Washer	L8	3		MT 1840 EP PRIVILEGE, MT 1058 EP PRIVILEGE, MT 1058 PRIVILEGE, MT 1840 PRIVILEGE
12	281782	Shoe		1		MT 1840 EP PRIVILEGE, MT 1058 EP PRIVILEGE, MT 1058 PRIVILEGE, MT 1840 PRIVILEGE
13	261497	Screw	M4	2		MT 1840 EP PRIVILEGE, MT 1058 EP PRIVILEGE, MT 1058 PRIVILEGE, MT 1840 PRIVILEGE
14	164856	Clamp		3		MT 1840 EP PRIVILEGE, MT 1058 EP PRIVILEGE, MT 1058 PRIVILEGE, MT 1840 PRIVILEGE
15	261440	Support		1		MT 1840 EP PRIVILEGE, MT 1058 EP PRIVILEGE, MT 1058 PRIVILEGE, MT 1840 PRIVILEGE
16	261503	Screw		2		MT 1840 EP PRIVILEGE, MT 1058 EP PRIVILEGE, MT 1058 PRIVILEGE, MT 1840 PRIVILEGE
17	61674	Washer	M8	2		MT 1840 EP PRIVILEGE, MT 1058 EP PRIVILEGE, MT 1058 PRIVILEGE, MT 1840 PRIVILEGE
18	260635	Potentiometer		1		MT 1840 EP PRIVILEGE, MT 1058 EP PRIVILEGE, MT 1058 PRIVILEGE, MT 1840 PRIVILEGE
19	188736	Screw		2		MT 1840 EP PRIVILEGE, MT 1058 EP PRIVILEGE, MT 1058 PRIVILEGE, MT 1840 PRIVILEGE
20	261441	connecting rod		1		MT 1840 EP PRIVILEGE, MT 1058 EP PRIVILEGE, MT 1058 PRIVILEGE, MT 1840 PRIVILEGE

Item	Part No.	Name	Characteristics	Qty	Superseded PartNumber	Product Type
21	484702	Screw		1		MT 1840 EP PRIVILEGE, MT 1058 EP PRIVILEGE, MT 1058 PRIVILEGE, MT 1840 PRIVILEGE
22	485980	Nut	M4	1		MT 1840 EP PRIVILEGE, MT 1058 EP PRIVILEGE, MT 1058 PRIVILEGE, MT 1840 PRIVILEGE
23	261444	Connecting rod		1		MT 1840 EP PRIVILEGE, MT 1058 EP PRIVILEGE, MT 1058 PRIVILEGE, MT 1840 PRIVILEGE
24	459749	Washer	L6	2		MT 1840 EP PRIVILEGE, MT 1058 EP PRIVILEGE, MT 1058 PRIVILEGE, MT 1840 PRIVILEGE
25	63035	Pin		1		MT 1840 EP PRIVILEGE, MT 1058 EP PRIVILEGE, MT 1058 PRIVILEGE, MT 1840 PRIVILEGE
26	29481	Screw	HM6	1		MT 1840 EP PRIVILEGE, MT 1058 EP PRIVILEGE, MT 1058 PRIVILEGE, MT 1840 PRIVILEGE
27	459749	Washer	L6	2		MT 1840 EP PRIVILEGE, MT 1058 EP PRIVILEGE, MT 1058 PRIVILEGE, MT 1840 PRIVILEGE
28	261445	Hinge pin		1		MT 1840 EP PRIVILEGE, MT 1058 EP PRIVILEGE, MT 1058 PRIVILEGE, MT 1840 PRIVILEGE
29	42316	Washer		1		MT 1840 EP PRIVILEGE, MT 1058 EP PRIVILEGE, MT 1058 PRIVILEGE, MT 1840 PRIVILEGE
30	260535	Switch bracket		1		MT 1840 EP PRIVILEGE, MT 1058 EP PRIVILEGE, MT 1058 PRIVILEGE, MT 1840 PRIVILEGE
31	261501	Screw	HM6	2		MT 1840 EP PRIVILEGE, MT 1058 EP PRIVILEGE, MT 1058 PRIVILEGE, MT 1840 PRIVILEGE
32	29469	Washer	M6	2		MT 1840 EP PRIVILEGE, MT 1058 EP PRIVILEGE, MT 1058 PRIVILEGE, MT 1840 PRIVILEGE
33	261448	Proximity Switch		1		MT 1840 EP PRIVILEGE, MT 1058 EP PRIVILEGE, MT 1058 PRIVILEGE, MT 1840 PRIVILEGE
34	471378	Screw	M4	2		MT 1840 EP PRIVILEGE, MT 1058 EP PRIVILEGE, MT 1058 PRIVILEGE, MT 1840 PRIVILEGE
35	164856	Clamp		1		MT 1840 EP PRIVILEGE, MT 1058 EP PRIVILEGE, MT 1058 PRIVILEGE, MT 1840 PRIVILEGE
36	210776	Ring		2		MT 1840 EP PRIVILEGE, MT 1058 EP PRIVILEGE, MT 1058 PRIVILEGE, MT 1840 PRIVILEGE
37	224776	Air filter clogging indicator		1		MT 1840 EP PRIVILEGE, MT 1058 EP PRIVILEGE, MT 1058 PRIVILEGE, MT 1840 PRIVILEGE
38	705222	Battery Lock Out		1		MT 1840 EP PRIVILEGE, MT 1058 EP PRIVILEGE, MT 1058 PRIVILEGE, MT 1840 PRIVILEGE
39	259839	Mounting plate		1		MT 1840 EP PRIVILEGE, MT 1058 EP PRIVILEGE, MT 1058 PRIVILEGE, MT 1840 PRIVILEGE
40	232750	Screw	M6	2		MT 1840 EP PRIVILEGE, MT 1058 EP PRIVILEGE, MT 1058 PRIVILEGE, MT 1840 PRIVILEGE

Item	Part No.	Name	Characteristics	Qty	Superseded PartNumber	Product Type
41	247068	Battery		1		MT 1840 EP PRIVILEGE, MT 1058 EP PRIVILEGE, MT 1058 PRIVILEGE, MT 1840 PRIVILEGE
42	142603	Seal		2		MT 1840 EP PRIVILEGE, MT 1058 EP PRIVILEGE, MT 1058 PRIVILEGE, MT 1840 PRIVILEGE
43	247641	Fixing clamp		1		MT 1840 EP PRIVILEGE, MT 1058 EP PRIVILEGE, MT 1058 PRIVILEGE, MT 1840 PRIVILEGE
44	236816	Fixing rod		2		MT 1840 EP PRIVILEGE, MT 1058 EP PRIVILEGE, MT 1058 PRIVILEGE, MT 1840 PRIVILEGE
45	25714	Nut	M6	2		MT 1840 EP PRIVILEGE, MT 1058 EP PRIVILEGE, MT 1058 PRIVILEGE, MT 1840 PRIVILEGE
46	260555	Nut		2		MT 1840 EP PRIVILEGE, MT 1058 EP PRIVILEGE, MT 1058 PRIVILEGE, MT 1840 PRIVILEGE
47	265015	Cable terminal		1		MT 1840 EP PRIVILEGE, MT 1058 EP PRIVILEGE, MT 1058 PRIVILEGE, MT 1840 PRIVILEGE
48	265016	Red cap		1		MT 1840 EP PRIVILEGE, MT 1058 EP PRIVILEGE, MT 1058 PRIVILEGE, MT 1840 PRIVILEGE
49	276052	Female connector		1		MT 1840 EP PRIVILEGE, MT 1058 EP PRIVILEGE, MT 1058 PRIVILEGE, MT 1840 PRIVILEGE
50	264199	Manipulator JSM		1		MT 1840 EP PRIVILEGE, MT 1058 EP PRIVILEGE, MT 1058 PRIVILEGE, MT 1840 PRIVILEGE
51	5323	screw		4		MT 1840 EP PRIVILEGE, MT 1058 EP PRIVILEGE, MT 1058 PRIVILEGE, MT 1840 PRIVILEGE
52	264281	Low pressure		1		MT 1840 EP PRIVILEGE, MT 1058 EP PRIVILEGE, MT 1058 PRIVILEGE, MT 1840 PRIVILEGE
53	604975	Seal		1		MT 1840 EP PRIVILEGE, MT 1058 EP PRIVILEGE, MT 1058 PRIVILEGE, MT 1840 PRIVILEGE
54	231398	Battery		1		MT 1840 EP PRIVILEGE, MT 1058 EP PRIVILEGE, MT 1058 PRIVILEGE, MT 1840 PRIVILEGE
55	142603	Seal		3		MT 1840 EP PRIVILEGE, MT 1058 EP PRIVILEGE, MT 1058 PRIVILEGE, MT 1840 PRIVILEGE
56	261937	Bracket		2		MT 1840 EP PRIVILEGE, MT 1058 EP PRIVILEGE, MT 1058 PRIVILEGE, MT 1840 PRIVILEGE
57	236816	Fixing rod		4		MT 1840 EP PRIVILEGE, MT 1058 EP PRIVILEGE, MT 1058 PRIVILEGE, MT 1840 PRIVILEGE
58	260555	Nut		4		MT 1840 EP PRIVILEGE, MT 1058 EP PRIVILEGE, MT 1058 PRIVILEGE, MT 1840 PRIVILEGE
59	25714	Nut	M6	4		MT 1840 EP PRIVILEGE, MT 1058 EP PRIVILEGE, MT 1058 PRIVILEGE, MT 1840 PRIVILEGE
60	264087	Fastening lug		1		MT 1840 EP PRIVILEGE, MT 1058 EP PRIVILEGE, MT 1058 PRIVILEGE, MT 1840 PRIVILEGE

Item	Part No.	Name	Characteristics	Qty	Superseded PartNumber	Product Type
61	259946	Screw	M8	1		MT 1840 EP PRIVILEGE, MT 1058 EP PRIVILEGE, MT 1058 PRIVILEGE, MT 1840 PRIVILEGE
62	254177	Nut	M8	1		MT 1840 EP PRIVILEGE, MT 1058 EP PRIVILEGE, MT 1058 PRIVILEGE, MT 1840 PRIVILEGE
63	554935	Rotating beacon light		1		MT 1840 EP PRIVILEGE, MT 1058 EP PRIVILEGE, MT 1058 PRIVILEGE, MT 1840 PRIVILEGE
64	466247	Bulb		1		MT 1840 EP PRIVILEGE, MT 1058 EP PRIVILEGE, MT 1058 PRIVILEGE, MT 1840 PRIVILEGE
65	554993	Rotating beacon light glass		1		MT 1840 EP PRIVILEGE, MT 1058 EP PRIVILEGE, MT 1058 PRIVILEGE, MT 1840 PRIVILEGE
66	266133	Bracket		2	746156	MT 1840 EP PRIVILEGE, MT 1058 EP PRIVILEGE, MT 1058 PRIVILEGE, MT 1840 PRIVILEGE
67	746157	Module		1		MT 1840 EP PRIVILEGE, MT 1058 EP PRIVILEGE, MT 1058 PRIVILEGE, MT 1840 PRIVILEGE
68	746158	Module		1		MT 1840 EP PRIVILEGE, MT 1058 EP PRIVILEGE, MT 1058 PRIVILEGE, MT 1840 PRIVILEGE
69	250431	Fuse 20A	20A	1		MT 1840 EP PRIVILEGE, MT 1058 EP PRIVILEGE, MT 1058 PRIVILEGE, MT 1840 PRIVILEGE
70	746004	Relay		1		MT 1840 EP PRIVILEGE, MT 1058 EP PRIVILEGE, MT 1058 PRIVILEGE, MT 1840 PRIVILEGE
71	746003	Fuse 20A		1		MT 1840 EP PRIVILEGE, MT 1058 EP PRIVILEGE, MT 1058 PRIVILEGE, MT 1840 PRIVILEGE
72	243480	Fuse 40A		1		MT 1840 EP PRIVILEGE, MT 1058 EP PRIVILEGE, MT 1058 PRIVILEGE, MT 1840 PRIVILEGE
73	247922	fuse		1		MT 1840 EP PRIVILEGE, MT 1058 EP PRIVILEGE, MT 1058 PRIVILEGE, MT 1840 PRIVILEGE
74	243481	Fuse 80A		1		MT 1840 EP PRIVILEGE, MT 1058 EP PRIVILEGE, MT 1058 PRIVILEGE, MT 1840 PRIVILEGE
75	245295	Fuse puller		1		MT 1840 EP PRIVILEGE, MT 1058 EP PRIVILEGE, MT 1058 PRIVILEGE, MT 1840 PRIVILEGE
76	266134	Cover		1	746160	MT 1840 EP PRIVILEGE, MT 1058 EP PRIVILEGE, MT 1058 PRIVILEGE, MT 1840 PRIVILEGE
77	240822	Screw		2		MT 1840 EP PRIVILEGE, MT 1058 EP PRIVILEGE, MT 1058 PRIVILEGE, MT 1840 PRIVILEGE
78	261937	Bracket		1		MT 1840 EP PRIVILEGE, MT 1058 EP PRIVILEGE, MT 1058 PRIVILEGE, MT 1840 PRIVILEGE
79	232750	Screw	M6	2		MT 1840 EP PRIVILEGE, MT 1058 EP PRIVILEGE, MT 1058 PRIVILEGE, MT 1840 PRIVILEGE
80	266042	Fastening lug		1		MT 1840 EP PRIVILEGE, MT 1058 EP PRIVILEGE, MT 1058 PRIVILEGE, MT 1840 PRIVILEGE

Item	Part No.	Name	Characteristics	Qty	Superseded PartNumber	Product Type
81	232750	Screw	M6	2		MT 1840 EP PRIVILEGE, MT 1058 EP PRIVILEGE, MT 1058 PRIVILEGE, MT 1840 PRIVILEGE
82	260776	Cable		1	260574	MT 1840 EP PRIVILEGE, MT 1058 EP PRIVILEGE, MT 1058 PRIVILEGE, MT 1840 PRIVILEGE
83	265290	Sheath		1		MT 1840 EP PRIVILEGE, MT 1058 EP PRIVILEGE, MT 1058 PRIVILEGE, MT 1840 PRIVILEGE
84	86505	Clamp		1		MT 1840 EP PRIVILEGE, MT 1058 EP PRIVILEGE, MT 1058 PRIVILEGE, MT 1840 PRIVILEGE
85	4240	Screw	HM5	1		MT 1840 EP PRIVILEGE, MT 1058 EP PRIVILEGE, MT 1058 PRIVILEGE, MT 1840 PRIVILEGE
86	257779	Fastening lug		1		MT 1840 EP PRIVILEGE, MT 1058 EP PRIVILEGE, MT 1058 PRIVILEGE, MT 1840 PRIVILEGE
87	86505	Clamp		1		MT 1840 EP PRIVILEGE, MT 1058 EP PRIVILEGE, MT 1058 PRIVILEGE, MT 1840 PRIVILEGE
88	4240	Screw	HM5	1		MT 1840 EP PRIVILEGE, MT 1058 EP PRIVILEGE, MT 1058 PRIVILEGE, MT 1840 PRIVILEGE
89	28959	Washer	M5	1		MT 1840 EP PRIVILEGE, MT 1058 EP PRIVILEGE, MT 1058 PRIVILEGE, MT 1840 PRIVILEGE
90	54232	Nut	M5	1		MT 1840 EP PRIVILEGE, MT 1058 EP PRIVILEGE, MT 1058 PRIVILEGE, MT 1840 PRIVILEGE
91	235319	Screw		4		MT 1840 EP PRIVILEGE, MT 1058 EP PRIVILEGE, MT 1058 PRIVILEGE, MT 1840 PRIVILEGE
93	216087	Hinge		1		MT 1840 EP PRIVILEGE, MT 1058 EP PRIVILEGE, MT 1058 PRIVILEGE, MT 1840 PRIVILEGE
94	4240	Screw	HM5	1		MT 1840 EP PRIVILEGE, MT 1058 EP PRIVILEGE, MT 1058 PRIVILEGE, MT 1840 PRIVILEGE
95	294252	Pin		1		MT 1840 EP PRIVILEGE, MT 1058 EP PRIVILEGE, MT 1058 PRIVILEGE, MT 1840 PRIVILEGE
96	261306	Spacer		2		MT 1840 EP PRIVILEGE, MT 1058 EP PRIVILEGE, MT 1058 PRIVILEGE, MT 1840 PRIVILEGE



Item	Part No.	Name	Characteristics	Qty	Superseded PartNumber	Product Type
1	260638	Sensor		2		MT 1840 EP PRIVILEGE, MT 1058 EP PRIVILEGE, MT 1058 PRIVILEGE, MT 1840 PRIVILEGE
2	271056	Sensor		1		MT 1840 EP PRIVILEGE, MT 1058 EP PRIVILEGE, MT 1058 PRIVILEGE, MT 1840 PRIVILEGE
3	260681	Sensor bracket		1		MT 1840 EP PRIVILEGE, MT 1058 EP PRIVILEGE, MT 1058 PRIVILEGE, MT 1840 PRIVILEGE
4	261501	Screw	HM6	2		MT 1840 EP PRIVILEGE, MT 1058 EP PRIVILEGE, MT 1058 PRIVILEGE, MT 1840 PRIVILEGE
5	29469	Washer	M6	2		MT 1840 EP PRIVILEGE, MT 1058 EP PRIVILEGE, MT 1058 PRIVILEGE, MT 1840 PRIVILEGE
6	164856	Clamp		2		MT 1840 EP PRIVILEGE, MT 1058 EP PRIVILEGE, MT 1058 PRIVILEGE, MT 1840 PRIVILEGE
7	284301	Protection plate		1		MT 1840 EP PRIVILEGE, MT 1058 EP PRIVILEGE, MT 1058 PRIVILEGE, MT 1840 PRIVILEGE
8	58528	Nut	M8	1		MT 1840 EP PRIVILEGE, MT 1058 EP PRIVILEGE, MT 1058 PRIVILEGE, MT 1840 PRIVILEGE
9	294249	Sensor bracket		1		MT 1840 EP PRIVILEGE, MT 1058 EP PRIVILEGE, MT 1058 PRIVILEGE, MT 1840 PRIVILEGE
10	261503	Screw		3		MT 1840 EP PRIVILEGE, MT 1058 EP PRIVILEGE, MT 1058 PRIVILEGE, MT 1840 PRIVILEGE
11	29468	Washer	L8	3		MT 1840 EP PRIVILEGE, MT 1058 EP PRIVILEGE, MT 1058 PRIVILEGE, MT 1840 PRIVILEGE
12	164856	Clamp		3		MT 1840 EP PRIVILEGE, MT 1058 EP PRIVILEGE, MT 1058 PRIVILEGE, MT 1840 PRIVILEGE
13	261440	Support		1		MT 1840 EP PRIVILEGE, MT 1058 EP PRIVILEGE, MT 1058 PRIVILEGE, MT 1840 PRIVILEGE
14	268255	Screw	M8	2		MT 1840 EP PRIVILEGE, MT 1058 EP PRIVILEGE, MT 1058 PRIVILEGE, MT 1840 PRIVILEGE
16	260635	Potentiometer		1		MT 1840 EP PRIVILEGE, MT 1058 EP PRIVILEGE, MT 1058 PRIVILEGE, MT 1840 PRIVILEGE
17	188736	Screw		2		MT 1840 EP PRIVILEGE, MT 1058 EP PRIVILEGE, MT 1058 PRIVILEGE, MT 1840 PRIVILEGE
18	261441	connecting rod		1		MT 1840 EP PRIVILEGE, MT 1058 EP PRIVILEGE, MT 1058 PRIVILEGE, MT 1840 PRIVILEGE
19	484702	Screw		1		MT 1840 EP PRIVILEGE, MT 1058 EP PRIVILEGE, MT 1058 PRIVILEGE, MT 1840 PRIVILEGE
20	485980	Nut	M4	1		MT 1840 EP PRIVILEGE, MT 1058 EP PRIVILEGE, MT 1058 PRIVILEGE, MT 1840 PRIVILEGE
21	261444	Connecting rod		1		MT 1840 EP PRIVILEGE, MT 1058 EP PRIVILEGE, MT 1058 PRIVILEGE, MT 1840 PRIVILEGE

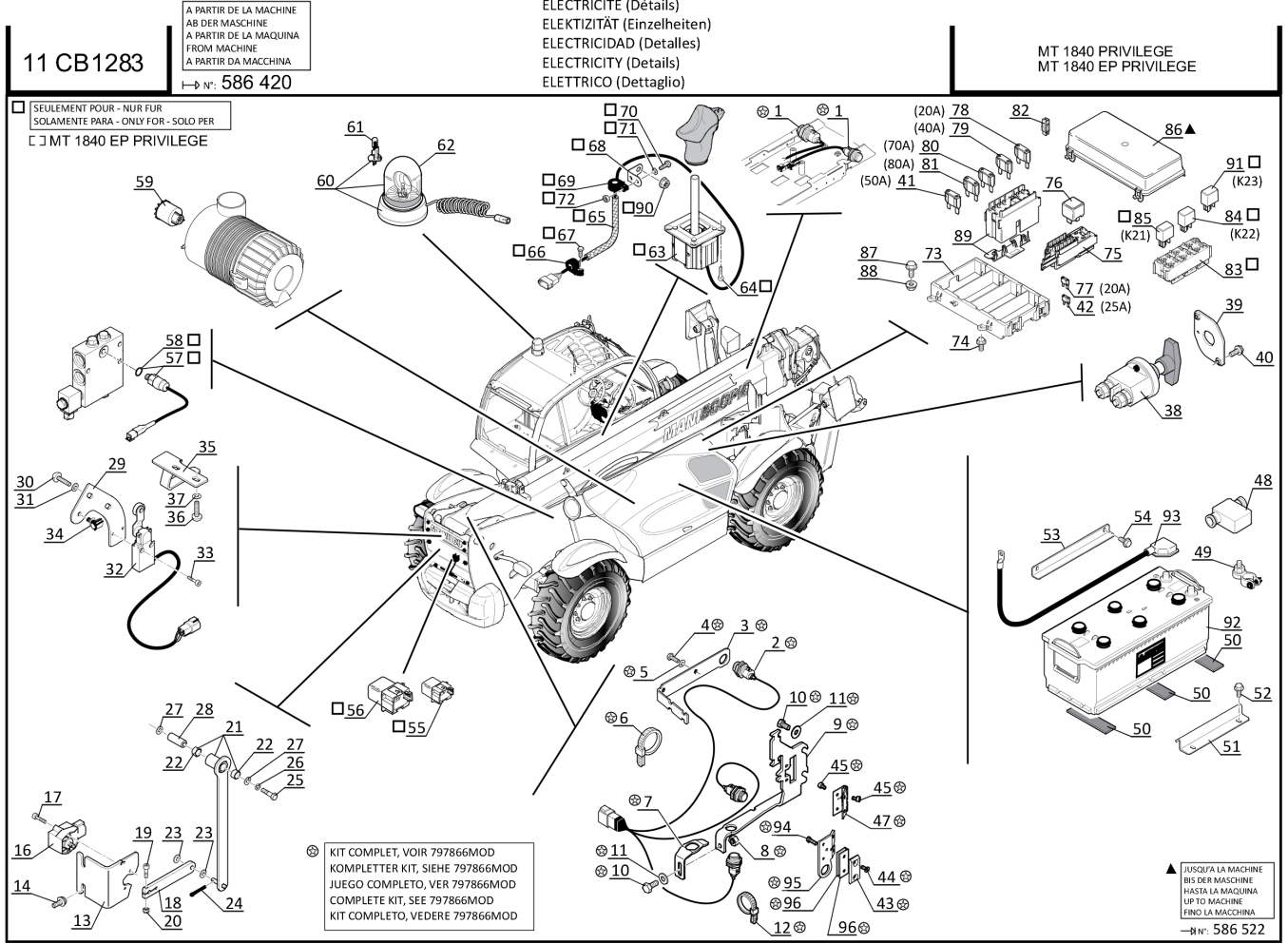
Item	Part No.	Name	Characteristics	Qty	Superseded PartNumber	Product Type
22	210776	Ring		2		MT 1840 EP PRIVILEGE, MT 1058 EP PRIVILEGE, MT 1840 PRIVILEGE
23	459749	Washer	L6	2		MT 1840 EP PRIVILEGE, MT 1058 EP PRIVILEGE, MT 1840 PRIVILEGE
24	63035	Pin		1		MT 1840 EP PRIVILEGE, MT 1058 EP PRIVILEGE, MT 1840 PRIVILEGE
25	29481	Screw	HM6	1		MT 1840 EP PRIVILEGE, MT 1058 EP PRIVILEGE, MT 1840 PRIVILEGE
26	42316	Washer		1		MT 1840 EP PRIVILEGE, MT 1058 EP PRIVILEGE, MT 1840 PRIVILEGE
27	459749	Washer	L6	2		MT 1840 EP PRIVILEGE, MT 1058 EP PRIVILEGE, MT 1840 PRIVILEGE
28	261445	Hinge pin		1		MT 1840 EP PRIVILEGE, MT 1058 EP PRIVILEGE, MT 1840 PRIVILEGE
29	266462	Switch bracket		1		MT 1840 EP PRIVILEGE, MT 1058 EP PRIVILEGE, MT 1840 PRIVILEGE
30	261495	Screw	M6	2		MT 1840 EP PRIVILEGE, MT 1058 EP PRIVILEGE, MT 1840 PRIVILEGE
31	29469	Washer	M6	2		MT 1840 EP PRIVILEGE, MT 1058 EP PRIVILEGE, MT 1840 PRIVILEGE
32	261448	Prximity Switch		1		MT 1840 EP PRIVILEGE, MT 1058 EP PRIVILEGE, MT 1840 PRIVILEGE
33	268037	Screw		2		MT 1840 EP PRIVILEGE, MT 1058 EP PRIVILEGE, MT 1840 PRIVILEGE
34	260472	Clamp		1		MT 1840 EP PRIVILEGE, MT 1058 EP PRIVILEGE, MT 1840 PRIVILEGE
35	266463	Sheat		1		MT 1840 EP PRIVILEGE, MT 1058 EP PRIVILEGE, MT 1840 PRIVILEGE
36	261495	Screw	M6	2		MT 1840 EP PRIVILEGE, MT 1058 EP PRIVILEGE, MT 1840 PRIVILEGE
37	29469	Washer	M6	2		MT 1840 EP PRIVILEGE, MT 1058 EP PRIVILEGE, MT 1840 PRIVILEGE
38	705222	Battery Lock Out		1		MT 1840 EP PRIVILEGE, MT 1058 EP PRIVILEGE, MT 1840 PRIVILEGE
39	259839	Mounting plate		1		MT 1840 EP PRIVILEGE, MT 1058 EP PRIVILEGE, MT 1840 PRIVILEGE
40	232750	Screw	M6	2		MT 1840 EP PRIVILEGE, MT 1058 EP PRIVILEGE, MT 1840 PRIVILEGE
41	247068	Battery		1		MT 1840 EP PRIVILEGE, MT 1058 EP PRIVILEGE, MT 1840 PRIVILEGE

Item	Part No.	Name	Characteristics	Qty	Superseded PartNumber	Product Type
42	142603	Seal		2		MT 1840 EP PRIVILEGE, MT 1058 EP PRIVILEGE, MT 1058 PRIVILEGE, MT 1840 PRIVILEGE
43	247641	Fixing clamp		1		MT 1840 EP PRIVILEGE, MT 1058 EP PRIVILEGE, MT 1058 PRIVILEGE, MT 1840 PRIVILEGE
44	236816	Fixing rod		2		MT 1840 EP PRIVILEGE, MT 1058 EP PRIVILEGE, MT 1058 PRIVILEGE, MT 1840 PRIVILEGE
45	260555	Nut		2		MT 1840 EP PRIVILEGE, MT 1058 EP PRIVILEGE, MT 1058 PRIVILEGE, MT 1840 PRIVILEGE
46	260555	Nut		2		MT 1840 EP PRIVILEGE, MT 1058 EP PRIVILEGE, MT 1058 PRIVILEGE, MT 1840 PRIVILEGE
47	265015	Cable terminal		1		MT 1840 EP PRIVILEGE, MT 1058 EP PRIVILEGE, MT 1058 PRIVILEGE, MT 1840 PRIVILEGE
48	265016	Red cap		1		MT 1840 EP PRIVILEGE, MT 1058 EP PRIVILEGE, MT 1058 PRIVILEGE, MT 1840 PRIVILEGE
49	231398	Battery		1		MT 1840 EP PRIVILEGE, MT 1058 EP PRIVILEGE, MT 1058 PRIVILEGE, MT 1840 PRIVILEGE
50	142603	Seal		3		MT 1840 EP PRIVILEGE, MT 1058 EP PRIVILEGE, MT 1058 PRIVILEGE, MT 1840 PRIVILEGE
51	261937	Bracket		1		MT 1840 EP PRIVILEGE, MT 1058 EP PRIVILEGE, MT 1058 PRIVILEGE, MT 1840 PRIVILEGE
52	232750	Screw	M6	2		MT 1840 EP PRIVILEGE, MT 1058 EP PRIVILEGE, MT 1058 PRIVILEGE, MT 1840 PRIVILEGE
53	266042	Fastening lug		1		MT 1840 EP PRIVILEGE, MT 1058 EP PRIVILEGE, MT 1058 PRIVILEGE, MT 1840 PRIVILEGE
54	232750	Screw	M6	2		MT 1840 EP PRIVILEGE, MT 1058 EP PRIVILEGE, MT 1058 PRIVILEGE, MT 1840 PRIVILEGE
55	260776	Cable		1	260574	MT 1840 EP PRIVILEGE, MT 1058 EP PRIVILEGE, MT 1058 PRIVILEGE, MT 1840 PRIVILEGE
56	276052	Female connector		1		MT 1840 EP PRIVILEGE, MT 1058 EP PRIVILEGE, MT 1058 PRIVILEGE, MT 1840 PRIVILEGE
57	264281	Low pressure		1		MT 1840 EP PRIVILEGE, MT 1058 EP PRIVILEGE, MT 1058 PRIVILEGE, MT 1840 PRIVILEGE
58	604975	Seal		1		MT 1840 EP PRIVILEGE, MT 1058 EP PRIVILEGE, MT 1058 PRIVILEGE, MT 1840 PRIVILEGE
59	224776	Air filter clogging indicator		1		MT 1840 EP PRIVILEGE, MT 1058 EP PRIVILEGE, MT 1058 PRIVILEGE, MT 1840 PRIVILEGE
60	554935	Rotating beacon light		1		MT 1840 EP PRIVILEGE, MT 1058 EP PRIVILEGE, MT 1058 PRIVILEGE, MT 1840 PRIVILEGE
61	466247	Bulb		1		MT 1840 EP PRIVILEGE, MT 1058 EP PRIVILEGE, MT 1058 PRIVILEGE, MT 1840 PRIVILEGE

Item	Part No.	Name	Characteristics	Qty	Superseded PartNumber	Product Type
62	554993	Rotating beacon light glass		1		MT 1840 EP PRIVILEGE, MT 1058 EP PRIVILEGE, MT 1058 PRIVILEGE, MT 1840 PRIVILEGE
63	264199	Manipulator JSM		1		MT 1840 EP PRIVILEGE, MT 1058 EP PRIVILEGE, MT 1058 PRIVILEGE, MT 1840 PRIVILEGE
64	267478	Screw	M5	4		MT 1840 EP PRIVILEGE, MT 1058 EP PRIVILEGE, MT 1058 PRIVILEGE, MT 1840 PRIVILEGE
65	265290	Sheath		1		MT 1840 EP PRIVILEGE, MT 1058 EP PRIVILEGE, MT 1058 PRIVILEGE, MT 1840 PRIVILEGE
66	238984	Clamp		1		MT 1840 EP PRIVILEGE, MT 1058 EP PRIVILEGE, MT 1058 PRIVILEGE, MT 1840 PRIVILEGE
67	4240	Screw	HM5	1		MT 1840 EP PRIVILEGE, MT 1058 EP PRIVILEGE, MT 1058 PRIVILEGE, MT 1840 PRIVILEGE
68	257779	Fastening lug		1		MT 1840 EP PRIVILEGE, MT 1058 EP PRIVILEGE, MT 1058 PRIVILEGE, MT 1840 PRIVILEGE
69	238984	Clamp		1		MT 1840 EP PRIVILEGE, MT 1058 EP PRIVILEGE, MT 1058 PRIVILEGE, MT 1840 PRIVILEGE
70	4240	Screw	HM5	1		MT 1840 EP PRIVILEGE, MT 1058 EP PRIVILEGE, MT 1058 PRIVILEGE, MT 1840 PRIVILEGE
71	28959	Washer	M5	1		MT 1840 EP PRIVILEGE, MT 1058 EP PRIVILEGE, MT 1058 PRIVILEGE, MT 1840 PRIVILEGE
72	54232	Nut	M5	1		MT 1840 EP PRIVILEGE, MT 1058 EP PRIVILEGE, MT 1058 PRIVILEGE, MT 1840 PRIVILEGE
73	746186	Support		1		MT 1840 EP PRIVILEGE, MT 1058 EP PRIVILEGE, MT 1058 PRIVILEGE, MT 1840 PRIVILEGE
74	240822	Screw		4		MT 1840 EP PRIVILEGE, MT 1058 EP PRIVILEGE, MT 1058 PRIVILEGE, MT 1840 PRIVILEGE
75	746157	Module		1		MT 1840 EP PRIVILEGE, MT 1058 EP PRIVILEGE, MT 1058 PRIVILEGE, MT 1840 PRIVILEGE
76	746004	Relay		1		MT 1840 EP PRIVILEGE, MT 1058 EP PRIVILEGE, MT 1058 PRIVILEGE, MT 1840 PRIVILEGE
77	250431	Fuse 20A	20A	1		MT 1840 EP PRIVILEGE, MT 1058 EP PRIVILEGE, MT 1058 PRIVILEGE, MT 1840 PRIVILEGE
78	746003	Fuse 20A		1		MT 1840 EP PRIVILEGE, MT 1058 EP PRIVILEGE, MT 1058 PRIVILEGE, MT 1840 PRIVILEGE
79	243480	Fuse 40A		1		MT 1840 EP PRIVILEGE, MT 1058 EP PRIVILEGE, MT 1058 PRIVILEGE, MT 1840 PRIVILEGE
80	247922	fuse		1		MT 1840 EP PRIVILEGE, MT 1058 EP PRIVILEGE, MT 1058 PRIVILEGE, MT 1840 PRIVILEGE
81	243481	Fuse 80A		1		MT 1840 EP PRIVILEGE, MT 1058 EP PRIVILEGE, MT 1058 PRIVILEGE, MT 1840 PRIVILEGE

Item	Part No.	Name	Characteristics	Qty	Superseded PartNumber	Product Type
82	245295	Fuse puller		1		MT 1840 EP PRIVILEGE, MT 1058 EP PRIVILEGE, MT 1058 PRIVILEGE, MT 1840 PRIVILEGE
83	746188	Module		1		MT 1840 EP PRIVILEGE, MT 1058 EP PRIVILEGE, MT 1058 PRIVILEGE, MT 1840 PRIVILEGE
84	245700	Relay		1		MT 1840 EP PRIVILEGE, MT 1058 EP PRIVILEGE, MT 1058 PRIVILEGE, MT 1840 PRIVILEGE
85	266680	Relay		1		MT 1840 EP PRIVILEGE, MT 1058 EP PRIVILEGE, MT 1058 PRIVILEGE, MT 1840 PRIVILEGE
86	746187	Cover		1		MT 1840 EP PRIVILEGE, MT 1058 EP PRIVILEGE, MT 1058 PRIVILEGE, MT 1840 PRIVILEGE
87	259946	Screw	M8	1		MT 1840 EP PRIVILEGE, MT 1058 EP PRIVILEGE, MT 1058 PRIVILEGE, MT 1840 PRIVILEGE
88	254177	Nut	M8	1		MT 1840 EP PRIVILEGE, MT 1058 EP PRIVILEGE, MT 1058 PRIVILEGE, MT 1840 PRIVILEGE
89	746158	Module		1		MT 1840 EP PRIVILEGE, MT 1058 EP PRIVILEGE, MT 1058 PRIVILEGE, MT 1840 PRIVILEGE
90	254177	Nut	M8	1		MT 1840 EP PRIVILEGE, MT 1058 EP PRIVILEGE, MT 1058 PRIVILEGE, MT 1840 PRIVILEGE
91	266680	Relay		1		MT 1840 EP PRIVILEGE, MT 1058 EP PRIVILEGE, MT 1058 PRIVILEGE, MT 1840 PRIVILEGE
92	276052	Female connector		1		MT 1840 EP PRIVILEGE, MT 1058 EP PRIVILEGE, MT 1058 PRIVILEGE, MT 1840 PRIVILEGE
93	273763	Connector		1	270250	MT 1840 EP PRIVILEGE, MT 1058 EP PRIVILEGE, MT 1058 PRIVILEGE, MT 1840 PRIVILEGE
94	247075	Fuse 50A	50A	1		MT 1840 EP PRIVILEGE, MT 1058 EP PRIVILEGE, MT 1058 PRIVILEGE, MT 1840 PRIVILEGE
95	250607	Fuse 25A		1		MT 1840 EP PRIVILEGE, MT 1058 EP PRIVILEGE, MT 1058 PRIVILEGE, MT 1840 PRIVILEGE
96	273942	Switch		1		MT 1840 EP PRIVILEGE, MT 1058 EP PRIVILEGE, MT 1058 PRIVILEGE, MT 1840 PRIVILEGE
97	281782	Shoe		1		MT 1840 EP PRIVILEGE, MT 1058 EP PRIVILEGE, MT 1058 PRIVILEGE, MT 1840 PRIVILEGE
98	261497	Screw	M4	2		MT 1840 EP PRIVILEGE, MT 1058 EP PRIVILEGE, MT 1058 PRIVILEGE, MT 1840 PRIVILEGE
99	235319	Screw		4		MT 1840 EP PRIVILEGE, MT 1058 EP PRIVILEGE, MT 1058 PRIVILEGE, MT 1840 PRIVILEGE
101	216087	Hinge		1		MT 1840 EP PRIVILEGE, MT 1058 EP PRIVILEGE, MT 1058 PRIVILEGE, MT 1840 PRIVILEGE
102	294257	Sensor bracket		1		MT 1840 EP PRIVILEGE, MT 1058 EP PRIVILEGE, MT 1058 PRIVILEGE, MT 1840 PRIVILEGE

Item	Part No.	Name	Characteristics	Qty	Superseded PartNumber	Product Type
103	4240	Screw	HM5	1		MT 1840 EP PRIVILEGE, MT 1058 EP PRIVILEGE, MT 1058 PRIVILEGE, MT 1840 PRIVILEGE
104	294252	Pin		1		MT 1840 EP PRIVILEGE, MT 1058 EP PRIVILEGE, MT 1058 PRIVILEGE, MT 1840 PRIVILEGE
105	261306	Spacer		2		MT 1840 EP PRIVILEGE, MT 1058 EP PRIVILEGE, MT 1058 PRIVILEGE, MT 1840 PRIVILEGE



Item	Part No.	Name	Characteristics	Qty	Superseded PartNumber	Product Type
1	260638	Sensor		2		MT 1840 EP PRIVILEGE, MT 1058 EP PRIVILEGE, MT 1058 PRIVILEGE, MT 1840 PRIVILEGE
2	271056	Sensor		1		MT 1840 EP PRIVILEGE, MT 1058 EP PRIVILEGE, MT 1058 PRIVILEGE, MT 1840 PRIVILEGE
3	260681	Sensor bracket		1		MT 1840 EP PRIVILEGE, MT 1058 EP PRIVILEGE, MT 1058 PRIVILEGE, MT 1840 PRIVILEGE
4	261501	Screw	HM6	2		MT 1840 EP PRIVILEGE, MT 1058 EP PRIVILEGE, MT 1058 PRIVILEGE, MT 1840 PRIVILEGE
5	29469	Washer	M6	2		MT 1840 EP PRIVILEGE, MT 1058 EP PRIVILEGE, MT 1058 PRIVILEGE, MT 1840 PRIVILEGE
6	164856	Clamp		2		MT 1840 EP PRIVILEGE, MT 1058 EP PRIVILEGE, MT 1058 PRIVILEGE, MT 1840 PRIVILEGE
7	284301	Protection plate		1		MT 1840 EP PRIVILEGE, MT 1058 EP PRIVILEGE, MT 1058 PRIVILEGE, MT 1840 PRIVILEGE
8	58528	Nut	M8	1		MT 1840 EP PRIVILEGE, MT 1058 EP PRIVILEGE, MT 1058 PRIVILEGE, MT 1840 PRIVILEGE
9	294257	Sensor bracket		1		MT 1840 EP PRIVILEGE, MT 1058 EP PRIVILEGE, MT 1058 PRIVILEGE, MT 1840 PRIVILEGE
10	261503	Screw		3		MT 1840 EP PRIVILEGE, MT 1058 EP PRIVILEGE, MT 1058 PRIVILEGE, MT 1840 PRIVILEGE
11	29468	Washer	L8	3		MT 1840 EP PRIVILEGE, MT 1058 EP PRIVILEGE, MT 1058 PRIVILEGE, MT 1840 PRIVILEGE
12	164856	Clamp		3		MT 1840 EP PRIVILEGE, MT 1058 EP PRIVILEGE, MT 1058 PRIVILEGE, MT 1840 PRIVILEGE
13	261440	Support		1		MT 1840 EP PRIVILEGE, MT 1058 EP PRIVILEGE, MT 1058 PRIVILEGE, MT 1840 PRIVILEGE
14	268255	Screw	M8	2		MT 1840 EP PRIVILEGE, MT 1058 EP PRIVILEGE, MT 1058 PRIVILEGE, MT 1840 PRIVILEGE
16	260635	Potentiometer		1		MT 1840 EP PRIVILEGE, MT 1058 EP PRIVILEGE, MT 1058 PRIVILEGE, MT 1840 PRIVILEGE
17	188736	Screw		2		MT 1840 EP PRIVILEGE, MT 1058 EP PRIVILEGE, MT 1058 PRIVILEGE, MT 1840 PRIVILEGE
18	261441	connecting rod		1		MT 1840 EP PRIVILEGE, MT 1058 EP PRIVILEGE, MT 1058 PRIVILEGE, MT 1840 PRIVILEGE
19	484702	Screw		1		MT 1840 EP PRIVILEGE, MT 1058 EP PRIVILEGE, MT 1058 PRIVILEGE, MT 1840 PRIVILEGE
20	485980	Nut	M4	1		MT 1840 EP PRIVILEGE, MT 1058 EP PRIVILEGE, MT 1058 PRIVILEGE, MT 1840 PRIVILEGE
21	261444	Connecting rod		1		MT 1840 EP PRIVILEGE, MT 1058 EP PRIVILEGE, MT 1058 PRIVILEGE, MT 1840 PRIVILEGE

Item	Part No.	Name	Characteristics	Qty	Superseded PartNumber	Product Type
22	210776	Ring		2		MT 1840 EP PRIVILEGE, MT 1058 EP PRIVILEGE, MT 1058 PRIVILEGE, MT 1840 PRIVILEGE
23	459749	Washer	L6	2		MT 1840 EP PRIVILEGE, MT 1058 EP PRIVILEGE, MT 1058 PRIVILEGE, MT 1840 PRIVILEGE
24	63035	Pin		1		MT 1840 EP PRIVILEGE, MT 1058 EP PRIVILEGE, MT 1058 PRIVILEGE, MT 1840 PRIVILEGE
25	29481	Screw	HM6	1		MT 1840 EP PRIVILEGE, MT 1058 EP PRIVILEGE, MT 1058 PRIVILEGE, MT 1840 PRIVILEGE
26	42316	Washer		1		MT 1840 EP PRIVILEGE, MT 1058 EP PRIVILEGE, MT 1058 PRIVILEGE, MT 1840 PRIVILEGE
27	459749	Washer	L6	2		MT 1840 EP PRIVILEGE, MT 1058 EP PRIVILEGE, MT 1058 PRIVILEGE, MT 1840 PRIVILEGE
28	261445	Hinge pin		1		MT 1840 EP PRIVILEGE, MT 1058 EP PRIVILEGE, MT 1058 PRIVILEGE, MT 1840 PRIVILEGE
29	266462	Switch bracket		1		MT 1840 EP PRIVILEGE, MT 1058 EP PRIVILEGE, MT 1058 PRIVILEGE, MT 1840 PRIVILEGE
30	261495	Screw	M6	2		MT 1840 EP PRIVILEGE, MT 1058 EP PRIVILEGE, MT 1058 PRIVILEGE, MT 1840 PRIVILEGE
31	29469	Washer	M6	2		MT 1840 EP PRIVILEGE, MT 1058 EP PRIVILEGE, MT 1058 PRIVILEGE, MT 1840 PRIVILEGE
32	273942	Switch		1		MT 1840 EP PRIVILEGE, MT 1058 EP PRIVILEGE, MT 1058 PRIVILEGE, MT 1840 PRIVILEGE
33	268037	Screw		2		MT 1840 EP PRIVILEGE, MT 1058 EP PRIVILEGE, MT 1058 PRIVILEGE, MT 1840 PRIVILEGE
34	260472	Clamp		1		MT 1840 EP PRIVILEGE, MT 1058 EP PRIVILEGE, MT 1058 PRIVILEGE, MT 1840 PRIVILEGE
35	266463	Sheat		1		MT 1840 EP PRIVILEGE, MT 1058 EP PRIVILEGE, MT 1058 PRIVILEGE, MT 1840 PRIVILEGE
36	261495	Screw	M6	2		MT 1840 EP PRIVILEGE, MT 1058 EP PRIVILEGE, MT 1058 PRIVILEGE, MT 1840 PRIVILEGE
37	29469	Washer	M6	2		MT 1840 EP PRIVILEGE, MT 1058 EP PRIVILEGE, MT 1058 PRIVILEGE, MT 1840 PRIVILEGE
38	705222	Battery Lock Out		1		MT 1840 EP PRIVILEGE, MT 1058 EP PRIVILEGE, MT 1058 PRIVILEGE, MT 1840 PRIVILEGE
39	259839	Mounting plate		1		MT 1840 EP PRIVILEGE, MT 1058 EP PRIVILEGE, MT 1058 PRIVILEGE, MT 1840 PRIVILEGE
40	232750	Screw	M6	2		MT 1840 EP PRIVILEGE, MT 1058 EP PRIVILEGE, MT 1058 PRIVILEGE, MT 1840 PRIVILEGE
41	247075	Fuse 50A	50A	1		MT 1840 EP PRIVILEGE, MT 1058 EP PRIVILEGE, MT 1058 PRIVILEGE, MT 1840 PRIVILEGE

Item	Part No.	Name	Characteristics	Qty	Superseded PartNumber	Product Type
42	250607	Fuse 25A		1		MT 1840 EP PRIVILEGE, MT 1058 EP PRIVILEGE, MT 1058 PRIVILEGE, MT 1840 PRIVILEGE
43	281782	Shoe		1		MT 1840 EP PRIVILEGE, MT 1058 EP PRIVILEGE, MT 1058 PRIVILEGE, MT 1840 PRIVILEGE
44	261497	Screw	M4	2		MT 1840 EP PRIVILEGE, MT 1058 EP PRIVILEGE, MT 1058 PRIVILEGE, MT 1840 PRIVILEGE
45	235319	Screw		4		MT 1840 EP PRIVILEGE, MT 1058 EP PRIVILEGE, MT 1058 PRIVILEGE, MT 1840 PRIVILEGE
47	216087	Hinge		1		MT 1840 EP PRIVILEGE, MT 1058 EP PRIVILEGE, MT 1058 PRIVILEGE, MT 1840 PRIVILEGE
48	265016	Red cap		1		MT 1840 EP PRIVILEGE, MT 1058 EP PRIVILEGE, MT 1058 PRIVILEGE, MT 1840 PRIVILEGE
49	265015	Cable terminal		1		MT 1840 EP PRIVILEGE, MT 1058 EP PRIVILEGE, MT 1058 PRIVILEGE, MT 1840 PRIVILEGE
50	142603	Seal		3		MT 1840 EP PRIVILEGE, MT 1058 EP PRIVILEGE, MT 1058 PRIVILEGE, MT 1840 PRIVILEGE
51	261937	Bracket		1		MT 1840 EP PRIVILEGE, MT 1058 EP PRIVILEGE, MT 1058 PRIVILEGE, MT 1840 PRIVILEGE
52	232750	Screw	M6	2		MT 1840 EP PRIVILEGE, MT 1058 EP PRIVILEGE, MT 1058 PRIVILEGE, MT 1840 PRIVILEGE
53	283970	Fastening lug		1		MT 1840 EP PRIVILEGE, MT 1058 EP PRIVILEGE, MT 1058 PRIVILEGE, MT 1840 PRIVILEGE
54	232750	Screw	M6	2		MT 1840 EP PRIVILEGE, MT 1058 EP PRIVILEGE, MT 1058 PRIVILEGE, MT 1840 PRIVILEGE
55	273763	Connector		1	270250	MT 1840 EP PRIVILEGE, MT 1058 EP PRIVILEGE, MT 1058 PRIVILEGE, MT 1840 PRIVILEGE
56	276052	Female connector		1		MT 1840 EP PRIVILEGE, MT 1058 EP PRIVILEGE, MT 1058 PRIVILEGE, MT 1840 PRIVILEGE
57	264281	Low pressure		1		MT 1840 EP PRIVILEGE, MT 1058 EP PRIVILEGE, MT 1058 PRIVILEGE, MT 1840 PRIVILEGE
58	604975	Seal		1		MT 1840 EP PRIVILEGE, MT 1058 EP PRIVILEGE, MT 1058 PRIVILEGE, MT 1840 PRIVILEGE
59	224776	Air filter clogging indicator		1		MT 1840 EP PRIVILEGE, MT 1058 EP PRIVILEGE, MT 1058 PRIVILEGE, MT 1840 PRIVILEGE
60	554935	Rotating beacon light		1		MT 1840 EP PRIVILEGE, MT 1058 EP PRIVILEGE, MT 1058 PRIVILEGE, MT 1840 PRIVILEGE
61	466247	Bulb		1		MT 1840 EP PRIVILEGE, MT 1058 EP PRIVILEGE, MT 1058 PRIVILEGE, MT 1840 PRIVILEGE
62	554993	Rotating beacon light glass		1		MT 1840 EP PRIVILEGE, MT 1058 EP PRIVILEGE, MT 1058 PRIVILEGE, MT 1840 PRIVILEGE

Item	Part No.	Name	Characteristics	Qty	Superseded PartNumber	Product Type
63	264199	Manipulator JSM		1		MT 1840 EP PRIVILEGE, MT 1058 EP PRIVILEGE, MT 1058 PRIVILEGE, MT 1840 PRIVILEGE
64	267478	Screw	M5	4		MT 1840 EP PRIVILEGE, MT 1058 EP PRIVILEGE, MT 1058 PRIVILEGE, MT 1840 PRIVILEGE
65	265290	Sheath		1		MT 1840 EP PRIVILEGE, MT 1058 EP PRIVILEGE, MT 1058 PRIVILEGE, MT 1840 PRIVILEGE
66	238984	Clamp		1		MT 1840 EP PRIVILEGE, MT 1058 EP PRIVILEGE, MT 1058 PRIVILEGE, MT 1840 PRIVILEGE
67	4240	Screw	HM5	1		MT 1840 EP PRIVILEGE, MT 1058 EP PRIVILEGE, MT 1058 PRIVILEGE, MT 1840 PRIVILEGE
68	257779	Fastening lug		1		MT 1840 EP PRIVILEGE, MT 1058 EP PRIVILEGE, MT 1058 PRIVILEGE, MT 1840 PRIVILEGE
69	238984	Clamp		1		MT 1840 EP PRIVILEGE, MT 1058 EP PRIVILEGE, MT 1058 PRIVILEGE, MT 1840 PRIVILEGE
71	28959	Washer	M5	1		MT 1840 EP PRIVILEGE, MT 1058 EP PRIVILEGE, MT 1058 PRIVILEGE, MT 1840 PRIVILEGE
72	54232	Nut	M5	1		MT 1840 EP PRIVILEGE, MT 1058 EP PRIVILEGE, MT 1058 PRIVILEGE, MT 1840 PRIVILEGE
73	746186	Support		1		MT 1840 EP PRIVILEGE, MT 1058 EP PRIVILEGE, MT 1058 PRIVILEGE, MT 1840 PRIVILEGE
74	240822	Screw		4		MT 1840 EP PRIVILEGE, MT 1058 EP PRIVILEGE, MT 1058 PRIVILEGE, MT 1840 PRIVILEGE
75	746157	Module		1		MT 1840 EP PRIVILEGE, MT 1058 EP PRIVILEGE, MT 1058 PRIVILEGE, MT 1840 PRIVILEGE
76	746004	Relay		1		MT 1840 EP PRIVILEGE, MT 1058 EP PRIVILEGE, MT 1058 PRIVILEGE, MT 1840 PRIVILEGE
77	250431	Fuse 20A	20A	1		MT 1840 EP PRIVILEGE, MT 1058 EP PRIVILEGE, MT 1058 PRIVILEGE, MT 1840 PRIVILEGE
78	746003	Fuse 20A		1		MT 1840 EP PRIVILEGE, MT 1058 EP PRIVILEGE, MT 1058 PRIVILEGE, MT 1840 PRIVILEGE
79	243480	Fuse 40A		1		MT 1840 EP PRIVILEGE, MT 1058 EP PRIVILEGE, MT 1058 PRIVILEGE, MT 1840 PRIVILEGE
80	247922	fuse		1		MT 1840 EP PRIVILEGE, MT 1058 EP PRIVILEGE, MT 1058 PRIVILEGE, MT 1840 PRIVILEGE
81	243481	Fuse 80A		1		MT 1840 EP PRIVILEGE, MT 1058 EP PRIVILEGE, MT 1058 PRIVILEGE, MT 1840 PRIVILEGE
82	245295	Fuse puller		1		MT 1840 EP PRIVILEGE, MT 1058 EP PRIVILEGE, MT 1058 PRIVILEGE, MT 1840 PRIVILEGE
83	746188	Module		1		MT 1840 EP PRIVILEGE, MT 1058 EP PRIVILEGE, MT 1058 PRIVILEGE, MT 1840 PRIVILEGE

Item	Part No.	Name	Characteristics	Qty	Superseded PartNumber	Product Type
84	245700	Relay		1		MT 1840 EP PRIVILEGE, MT 1058 EP PRIVILEGE, MT 1058 PRIVILEGE, MT 1840 PRIVILEGE
85	266680	Relay		1		MT 1840 EP PRIVILEGE, MT 1058 EP PRIVILEGE, MT 1058 PRIVILEGE, MT 1840 PRIVILEGE
86	746187	Cover		1		MT 1840 EP PRIVILEGE, MT 1058 EP PRIVILEGE, MT 1058 PRIVILEGE, MT 1840 PRIVILEGE
87	259946	Screw	M8	1		MT 1840 EP PRIVILEGE, MT 1058 EP PRIVILEGE, MT 1058 PRIVILEGE, MT 1840 PRIVILEGE
88	254177	Nut	M8	1		MT 1840 EP PRIVILEGE, MT 1058 EP PRIVILEGE, MT 1058 PRIVILEGE, MT 1840 PRIVILEGE
89	746158	Module		1		MT 1840 EP PRIVILEGE, MT 1058 EP PRIVILEGE, MT 1058 PRIVILEGE, MT 1840 PRIVILEGE
90	254177	Nut	M8	1		MT 1840 EP PRIVILEGE, MT 1058 EP PRIVILEGE, MT 1058 PRIVILEGE, MT 1840 PRIVILEGE
91	266680	Relay		1		MT 1840 EP PRIVILEGE, MT 1058 EP PRIVILEGE, MT 1058 PRIVILEGE, MT 1840 PRIVILEGE
92	283831	Battery		1		MT 1840 EP PRIVILEGE, MT 1058 EP PRIVILEGE, MT 1058 PRIVILEGE, MT 1840 PRIVILEGE
93	260776	Cable		1	260574	MT 1840 EP PRIVILEGE, MT 1058 EP PRIVILEGE, MT 1058 PRIVILEGE, MT 1840 PRIVILEGE
94	4240	Screw	HM5	1		MT 1840 EP PRIVILEGE, MT 1058 EP PRIVILEGE, MT 1058 PRIVILEGE, MT 1840 PRIVILEGE
95	294252	Pin		1		MT 1840 EP PRIVILEGE, MT 1058 EP PRIVILEGE, MT 1058 PRIVILEGE, MT 1840 PRIVILEGE
96	261306	Spacer		2		MT 1840 EP PRIVILEGE, MT 1058 EP PRIVILEGE, MT 1058 PRIVILEGE, MT 1840 PRIVILEGE

_CIRCUIT - HARNESS

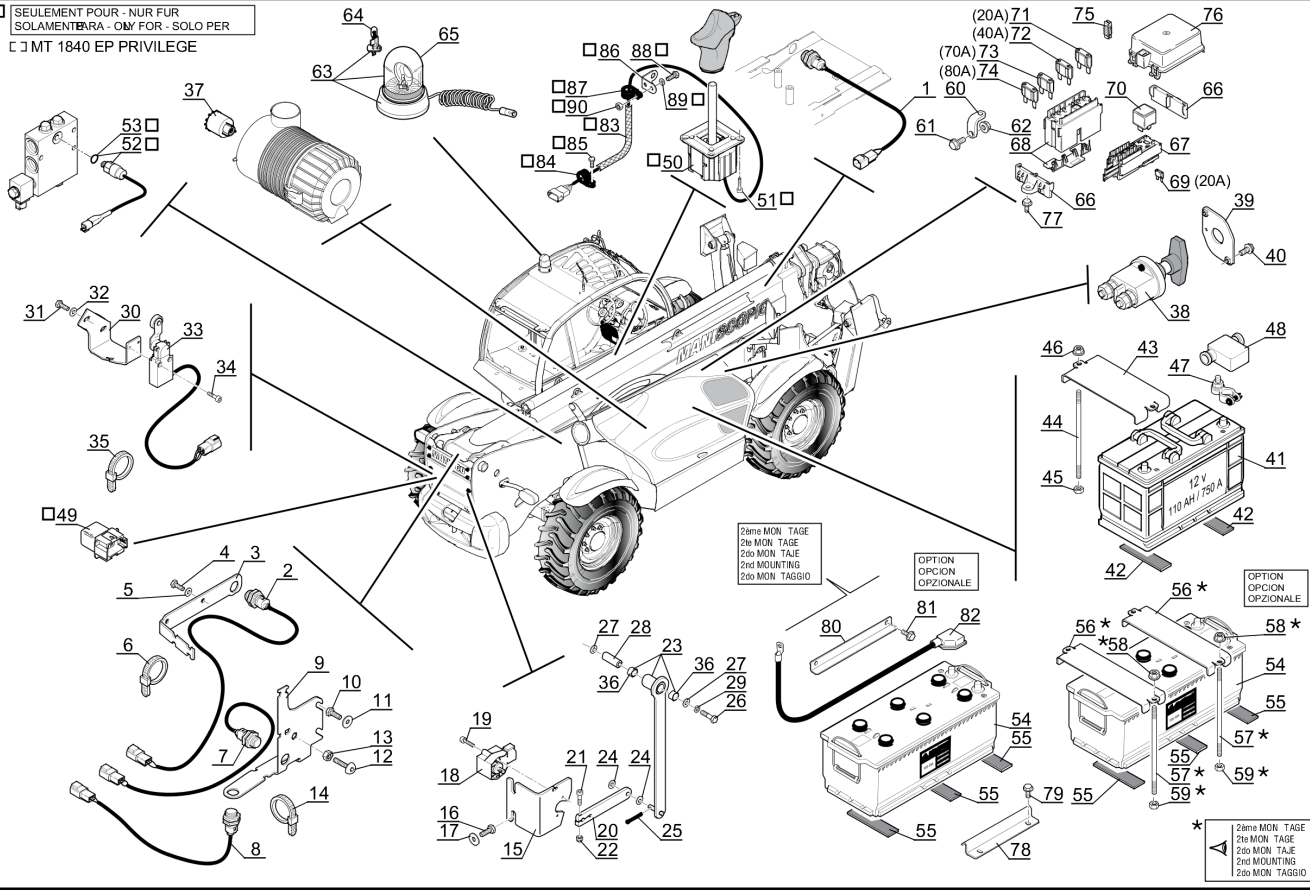
11 CB 729

JUSQU' A LA MACHINE
BIS DER MASCHINE
HAS TA LA MAQUINA
UP TO MACHINE
FINO L A MACCHINA
N°: 238 667

REPLACEE PAR PLANCHE 11 CB 1281
ERSETZEN ZU ZEICHNUNG 11 CB 1281
REEMPLAZADO PAR A DIBUJO 11 CB 1281
REPLACED BY DRAWING 11 CB 1281
SOSTITUIRE PER TAVOLA 11 CB 1281

MT 1840 PRIVILEGE
MT 1840 EP PRIVILEGE

SEULEMENT POUR - NUR FÜR
SOLAMENTE PARA - ONLY FOR - SOLO PER
MT 1840 EP PRIVILEGE



2ème MON. TAGE
2nd MON. TAGE
2da MON. TAGE
2nd MOUNTING
2da MON. TAGGIO

OPTION
OPCION
OPZIONALE

OPTION
OPCION
OPZIONALE

* 2ème MON. TAGE
* 2nd MON. TAGE
* 2da MON. TAGE
* 2nd MOUNTING
* 2da MON. TAGGIO

PAO: illu 5

12 / 09 / 11

_CIRCUIT - HARNESS

11 CB 758

A PARTIR DEL A MACHINE
AB DER MASCHINE
A PARTIR DE L A MAQUINA
FROM MACHINE
A PARTIR D A MACCHINA

→ N°: 238 668

JUSQU' A LA MACHINE
BIS DER MASCHINE
HAS TA LA MAQUINA
UP TO MACHINE
FINO L A MACCHINA

→ N°: 586 419

REPLACEE PAR PLANCHE 11 CB 1282
ERSETZEN ZU ZEICHNUNG 11 CB 1282
REEMPLAZADO PAR A DIBUJO 11 CB 1282
REPLACED BY DRAWING 11 CB 1282
SOSTITUIRE PER TAVOLA 11 CB 1282

MT 1840 PRIVILEGE
MT 1840 EP PRIVILEGE

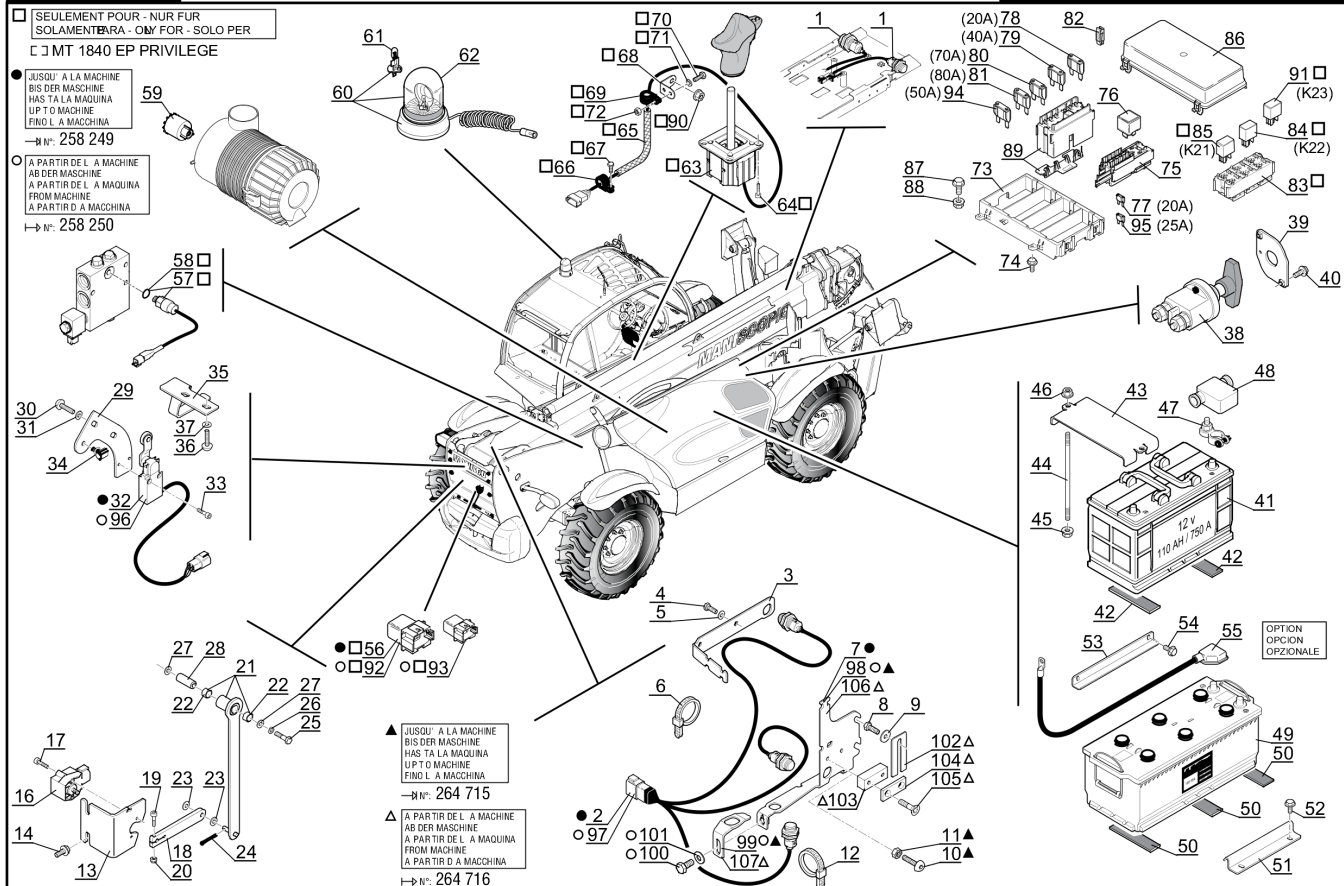
□ SEULEMENT POUR - NUR FÜR
SOLAMENTE PER - OBY FOR - SOLO PER
□ MT 1840 EP PRIVILEGE

● JUSQU' A LA MACHINE
BIS DER MASCHINE
HAS TA LA MAQUINA
UP TO MACHINE
FINO L A MACCHINA
→ N°: 258 249

○ A PARTIR DEL A MACHINE
AB DER MASCHINE
A PARTIR DE L A MAQUINA
FROM MACHINE
A PARTIR D A MACCHINA
→ N°: 258 250

▲ JUSQU' A LA MACHINE
BIS DER MASCHINE
HAS TA LA MAQUINA
UP TO MACHINE
FINO L A MACCHINA
→ N°: 264 715

△ A PARTIR DEL A MACHINE
AB DER MASCHINE
A PARTIR DE L A MAQUINA
FROM MACHINE
A PARTIR D A MACCHINA
→ N°: 264 716



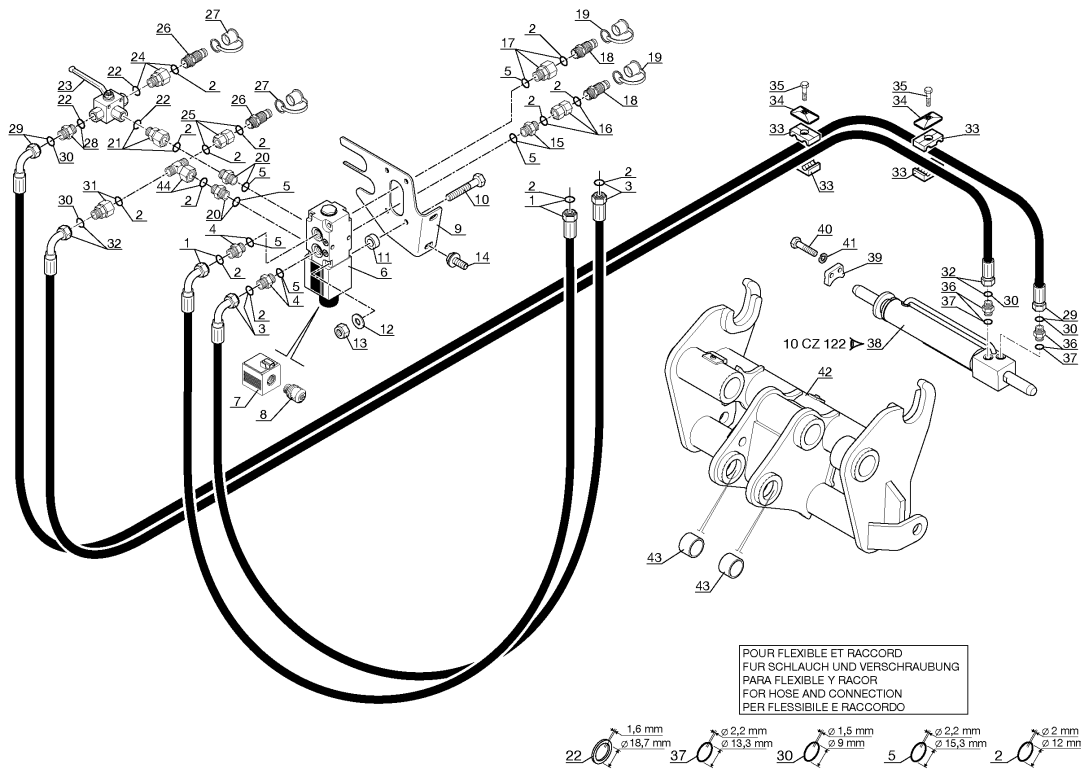
12 / 09 / 11

P.A.O. illus

10 AF 533

HYDRAULIQUE (Electrovalve + verrouillage des accessoires)
 HYDRAULIK (Electroventil + verriegelung auf zuberhör)
 HIDRAULICO (Electroválvula + bloqueo de los accesorios)
 HYDRAULIC (Electrovalve + locking accessories)
 IDRAULICO (Elettrovalvola + blocco accessori)

MT 1440 PRIVILEGE
 MT 1440 EP PRIVILEGE
 MT 1840 PRIVILEGE
 MT 1840 EP PRIVILEGE



06 / 12 / 06

P.A.C. Illius

Item	Part No.	Name	Characteristics	Qty	Superseded PartNumber	Product Type
0	750866OPT	ELECTROVALVE		1	265029	MT 1840 EP PRIVILEGE, MT 1440 PRIVILEGE, MT 1840 PRIVILEGE, MT 1440 EP PRIVILEGE
0	750865	Hydraulic electrovalve + attachment locking kit		1		MT 1840 EP PRIVILEGE, MT 1440 PRIVILEGE, MT 1840 PRIVILEGE, MT 1440 EP PRIVILEGE
0	750867OPT	ELECTROVALVE		1	265030	MT 1840 EP PRIVILEGE, MT 1440 PRIVILEGE, MT 1840 PRIVILEGE, MT 1440 EP PRIVILEGE
0	750868OPT	ELECTROVALVE		1	265031	MT 1840 EP PRIVILEGE, MT 1440 PRIVILEGE, MT 1840 PRIVILEGE, MT 1440 EP PRIVILEGE
0	750866	Hydraulic electrovalve + attachment locking kit		1		MT 1840 EP PRIVILEGE, MT 1440 PRIVILEGE, MT 1840 PRIVILEGE, MT 1440 EP PRIVILEGE
0	750868	Electrovalve hydraulic kit + Locking of attachments		1		MT 1840 EP PRIVILEGE, MT 1440 PRIVILEGE, MT 1840 PRIVILEGE, MT 1440 EP PRIVILEGE
0	750867	Electrovalve hydraulic kit + Locking of attachments		1		MT 1840 EP PRIVILEGE, MT 1440 PRIVILEGE, MT 1840 PRIVILEGE, MT 1440 EP PRIVILEGE
0	750865OPT	ELECTROVALVE		1	265028	MT 1840 EP PRIVILEGE, MT 1440 PRIVILEGE, MT 1840 PRIVILEGE, MT 1440 EP PRIVILEGE
1	174187	Hose		1		MT 1840 EP PRIVILEGE, MT 1440 PRIVILEGE, MT 1840 PRIVILEGE, MT 1440 EP PRIVILEGE
2	189956	O ring		1		MT 1840 EP PRIVILEGE, MT 1440 PRIVILEGE, MT 1840 PRIVILEGE, MT 1440 EP PRIVILEGE
3	247850	hose	L720	1	203675, 456559	MT 1840 EP PRIVILEGE, MT 1440 PRIVILEGE, MT 1840 PRIVILEGE, MT 1440 EP PRIVILEGE
4	74362	Union		2		MT 1840 EP PRIVILEGE, MT 1440 PRIVILEGE, MT 1840 PRIVILEGE, MT 1440 EP PRIVILEGE
5	169552	Seal		1		MT 1840 EP PRIVILEGE, MT 1440 PRIVILEGE, MT 1840 PRIVILEGE, MT 1440 EP PRIVILEGE
6	261285	Complete electrovalve		1		MT 1840 EP PRIVILEGE, MT 1440 PRIVILEGE, MT 1840 PRIVILEGE, MT 1440 EP PRIVILEGE
7	746007	Solenoid		1		MT 1840 EP PRIVILEGE, MT 1440 PRIVILEGE, MT 1840 PRIVILEGE, MT 1440 EP PRIVILEGE
8	747354	Plug		1		MT 1840 EP PRIVILEGE, MT 1440 PRIVILEGE, MT 1840 PRIVILEGE, MT 1440 EP PRIVILEGE
9	264975	Support		1		MT 1840 EP PRIVILEGE, MT 1440 PRIVILEGE, MT 1840 PRIVILEGE, MT 1440 EP PRIVILEGE
10	168350	Screw	HM8	4		MT 1840 EP PRIVILEGE, MT 1440 PRIVILEGE, MT 1840 PRIVILEGE, MT 1440 EP PRIVILEGE
11	252610	Ring		4		MT 1840 EP PRIVILEGE, MT 1440 PRIVILEGE, MT 1840 PRIVILEGE, MT 1440 EP PRIVILEGE
12	61674	Washer	M8	4		MT 1840 EP PRIVILEGE, MT 1440 PRIVILEGE, MT 1840 PRIVILEGE, MT 1440 EP PRIVILEGE

Item	Part No.	Name	Characteristics	Qty	Superseded PartNumber	Product Type
13	54242	Nut	M8	4		MT 1840 EP PRIVILEGE, MT 1440 PRIVILEGE, MT 1840 PRIVILEGE, MT 1440 EP PRIVILEGE
14	259946	Screw	M8	2		MT 1840 EP PRIVILEGE, MT 1440 PRIVILEGE, MT 1840 PRIVILEGE, MT 1440 EP PRIVILEGE
15	74362	Union		1		MT 1840 EP PRIVILEGE, MT 1440 PRIVILEGE, MT 1840 PRIVILEGE, MT 1440 EP PRIVILEGE
16	74360	Adaptor connector		1		MT 1840 EP PRIVILEGE, MT 1440 PRIVILEGE, MT 1840 PRIVILEGE, MT 1440 EP PRIVILEGE
17	174551	Adaptor connector		1		MT 1840 EP PRIVILEGE, MT 1440 PRIVILEGE, MT 1840 PRIVILEGE, MT 1440 EP PRIVILEGE
18	261397	Quick male connector		2		MT 1840 EP PRIVILEGE, MT 1440 PRIVILEGE, MT 1840 PRIVILEGE, MT 1440 EP PRIVILEGE
19	261398	Plug		2		MT 1840 EP PRIVILEGE, MT 1440 PRIVILEGE, MT 1840 PRIVILEGE, MT 1440 EP PRIVILEGE
20	74362	Union		2		MT 1840 EP PRIVILEGE, MT 1440 PRIVILEGE, MT 1840 PRIVILEGE, MT 1440 EP PRIVILEGE
21	190162	pipe fitting		1		MT 1840 EP PRIVILEGE, MT 1440 PRIVILEGE, MT 1840 PRIVILEGE, MT 1440 EP PRIVILEGE
22	184787	Watertight seal		1		MT 1840 EP PRIVILEGE, MT 1440 PRIVILEGE, MT 1840 PRIVILEGE, MT 1440 EP PRIVILEGE
23	242340	Tap		1		MT 1840 EP PRIVILEGE, MT 1440 PRIVILEGE, MT 1840 PRIVILEGE, MT 1440 EP PRIVILEGE
24	190162	pipe fitting		1		MT 1840 EP PRIVILEGE, MT 1440 PRIVILEGE, MT 1840 PRIVILEGE, MT 1440 EP PRIVILEGE
25	74360	Adaptor connector		1		MT 1840 EP PRIVILEGE, MT 1440 PRIVILEGE, MT 1840 PRIVILEGE, MT 1440 EP PRIVILEGE
26	261397	Quick male connector		2		MT 1840 EP PRIVILEGE, MT 1440 PRIVILEGE, MT 1840 PRIVILEGE, MT 1440 EP PRIVILEGE
27	261398	Plug		2		MT 1840 EP PRIVILEGE, MT 1440 PRIVILEGE, MT 1840 PRIVILEGE, MT 1440 EP PRIVILEGE
28	190887	Union		1		MT 1840 EP PRIVILEGE, MT 1440 PRIVILEGE, MT 1840 PRIVILEGE, MT 1440 EP PRIVILEGE
29	248241	Hose	L1530	1		MT 1840 EP PRIVILEGE, MT 1440 PRIVILEGE, MT 1840 PRIVILEGE, MT 1440 EP PRIVILEGE
30	190874	O ring		1		MT 1840 EP PRIVILEGE, MT 1440 PRIVILEGE, MT 1840 PRIVILEGE, MT 1440 EP PRIVILEGE
31	175076	Reducing gear adaptor connector		1		MT 1840 EP PRIVILEGE, MT 1440 PRIVILEGE, MT 1840 PRIVILEGE, MT 1440 EP PRIVILEGE
32	244603	Hose	L1330mm	1		MT 1840 EP PRIVILEGE, MT 1440 PRIVILEGE, MT 1840 PRIVILEGE, MT 1440 EP PRIVILEGE

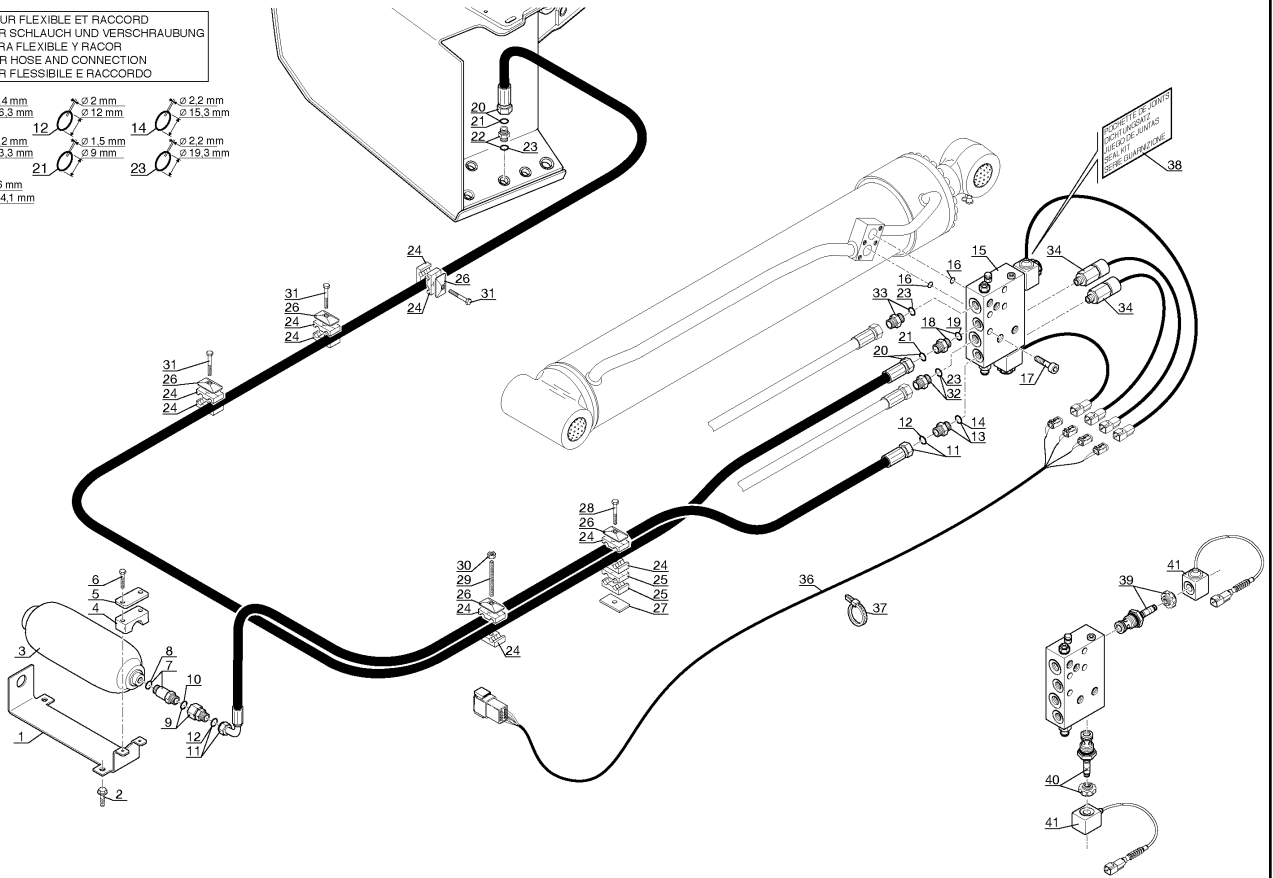
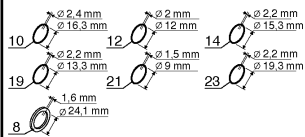
Item	Part No.	Name	Characteristics	Qty	Superseded PartNumber	Product Type
33	168758	Half clamp		4		MT 1840 EP PRIVILEGE, MT 1440 PRIVILEGE, MT 1840 PRIVILEGE, MT 1440 EP PRIVILEGE
34	168494	Protection plate		2		MT 1840 EP PRIVILEGE, MT 1440 PRIVILEGE, MT 1840 PRIVILEGE, MT 1440 EP PRIVILEGE
35	61323	Screw	HM8	2		MT 1840 EP PRIVILEGE, MT 1440 PRIVILEGE, MT 1840 PRIVILEGE, MT 1440 EP PRIVILEGE
36	167927	Union		2		MT 1840 EP PRIVILEGE, MT 1440 PRIVILEGE, MT 1840 PRIVILEGE, MT 1440 EP PRIVILEGE
37	169436	O ring		1		MT 1840 EP PRIVILEGE, MT 1440 PRIVILEGE, MT 1840 PRIVILEGE, MT 1440 EP PRIVILEGE
38	304884	Attachment locking cylinder		1		MT 1840 EP PRIVILEGE, MT 1440 PRIVILEGE, MT 1840 PRIVILEGE, MT 1440 EP PRIVILEGE
39	252421	Stop		1		MT 1840 EP PRIVILEGE, MT 1440 PRIVILEGE, MT 1840 PRIVILEGE, MT 1440 EP PRIVILEGE
40	207072	Screw	HM12	2		MT 1840 EP PRIVILEGE, MT 1440 PRIVILEGE, MT 1840 PRIVILEGE, MT 1440 EP PRIVILEGE
41	42231	Washer		2		MT 1840 EP PRIVILEGE, MT 1440 PRIVILEGE, MT 1840 PRIVILEGE, MT 1440 EP PRIVILEGE
42	294253	Carriage		1		MT 1840 EP PRIVILEGE, MT 1440 PRIVILEGE, MT 1840 PRIVILEGE, MT 1440 EP PRIVILEGE
43	208251	Ring		2		MT 1840 EP PRIVILEGE, MT 1440 PRIVILEGE, MT 1840 PRIVILEGE, MT 1440 EP PRIVILEGE
44	217048	Adaptor T-connector		1		MT 1840 EP PRIVILEGE, MT 1440 PRIVILEGE, MT 1840 PRIVILEGE, MT 1440 EP PRIVILEGE

10 AF 539

SUSPENSION DE FLÈCHE
AUSLEGER AUFHÄNGUNG
SUSPENSION DE AGUILÓN
JIB SUSPENSION
SUSPENSIONE BRACCIO

MT 1440 EP PRIVILEGE
MT 1440 A PRIVILEGE
MT 1840 PRIVILEGE
MT 1840 EP PRIVILEGE
MT 1840 A PRIVILEGE

POUR FLEXIBLE ET RACCORD
FÜR SCHLAUCH UND VERSCHRAUBUNG
PARA FLEXIBLE Y RACOR
FOR HOSE AND CONNECTION
PER FLESSIBILE E RACCORDO



Item	Part No.	Name	Characteristics	Qty	Superseded PartNumber	Product Type
0	750807	Boom suspensor wiring harness		1		MT 1840 EP PRIVILEGE, MT 1440 A PRIVILEGE, MT 1840 A PRIVILEGE, MT 1840 PRIVILEGE, MT 1440 EP PRIVILEGE
0	264884	Boom suspensor wiring harness		1		MT 1840 EP PRIVILEGE, MT 1440 A PRIVILEGE, MT 1840 A PRIVILEGE, MT 1840 PRIVILEGE, MT 1440 EP PRIVILEGE
1	246673	Hydraulic accumulator bracket		1		MT 1840 EP PRIVILEGE, MT 1440 A PRIVILEGE, MT 1840 A PRIVILEGE, MT 1840 PRIVILEGE, MT 1440 EP PRIVILEGE
2	259601	Screw	M8	2		MT 1840 EP PRIVILEGE, MT 1440 A PRIVILEGE, MT 1840 A PRIVILEGE, MT 1840 PRIVILEGE, MT 1440 EP PRIVILEGE
3	243081	Hydraulic Accumulator		1		MT 1840 EP PRIVILEGE, MT 1440 A PRIVILEGE, MT 1840 A PRIVILEGE, MT 1840 PRIVILEGE, MT 1440 EP PRIVILEGE
4	172228	Half clamp		1		MT 1840 EP PRIVILEGE, MT 1440 A PRIVILEGE, MT 1840 A PRIVILEGE, MT 1840 PRIVILEGE, MT 1440 EP PRIVILEGE
5	168870	Protection plate		1		MT 1840 EP PRIVILEGE, MT 1440 A PRIVILEGE, MT 1840 A PRIVILEGE, MT 1840 PRIVILEGE, MT 1440 EP PRIVILEGE
6	58526	Screw	HM6	2		MT 1840 EP PRIVILEGE, MT 1440 A PRIVILEGE, MT 1840 A PRIVILEGE, MT 1840 PRIVILEGE, MT 1440 EP PRIVILEGE
7	215663	Extension union		1		MT 1840 EP PRIVILEGE, MT 1440 A PRIVILEGE, MT 1840 A PRIVILEGE, MT 1840 PRIVILEGE, MT 1440 EP PRIVILEGE
8	190878	Watertight seal		1		MT 1840 EP PRIVILEGE, MT 1440 A PRIVILEGE, MT 1840 A PRIVILEGE, MT 1840 PRIVILEGE, MT 1440 EP PRIVILEGE
9	205349	Reducing gear adaptor connector		1		MT 1840 EP PRIVILEGE, MT 1440 A PRIVILEGE, MT 1840 A PRIVILEGE, MT 1840 PRIVILEGE, MT 1440 EP PRIVILEGE
10	25002	O ring		1		MT 1840 EP PRIVILEGE, MT 1440 A PRIVILEGE, MT 1840 A PRIVILEGE, MT 1840 PRIVILEGE, MT 1440 EP PRIVILEGE
11	259572	Hose	L1450	1		MT 1840 EP PRIVILEGE, MT 1440 A PRIVILEGE, MT 1840 A PRIVILEGE, MT 1840 PRIVILEGE, MT 1440 EP PRIVILEGE
12	189956	O ring		1		MT 1840 EP PRIVILEGE, MT 1440 A PRIVILEGE, MT 1840 A PRIVILEGE, MT 1840 PRIVILEGE, MT 1440 EP PRIVILEGE
13	74362	Union		1		MT 1840 EP PRIVILEGE, MT 1440 A PRIVILEGE, MT 1840 A PRIVILEGE, MT 1840 PRIVILEGE, MT 1440 EP PRIVILEGE
14	169552	Seal		1		MT 1840 EP PRIVILEGE, MT 1440 A PRIVILEGE, MT 1840 A PRIVILEGE, MT 1840 PRIVILEGE, MT 1440 EP PRIVILEGE
15	260693	Electrovalve		1		MT 1840 EP PRIVILEGE, MT 1440 A PRIVILEGE, MT 1840 A PRIVILEGE, MT 1840 PRIVILEGE, MT 1440 EP PRIVILEGE
16	189960	Seal		2		MT 1840 EP PRIVILEGE, MT 1440 A PRIVILEGE, MT 1840 A PRIVILEGE, MT 1840 PRIVILEGE, MT 1440 EP PRIVILEGE
17	5324	Screw	M8	4		MT 1840 EP PRIVILEGE, MT 1440 A PRIVILEGE, MT 1840 A PRIVILEGE, MT 1840 PRIVILEGE, MT 1440 EP PRIVILEGE
18	167927	Union		1		MT 1840 EP PRIVILEGE, MT 1440 A PRIVILEGE, MT 1840 A PRIVILEGE, MT 1840 PRIVILEGE, MT 1440 EP PRIVILEGE

Item	Part No.	Name	Characteristics	Qty	Superseded PartNumber	Product Type
19	169436	O ring		1		MT 1840 EP PRIVILEGE, MT 1440 A PRIVILEGE, MT 1840 A PRIVILEGE, MT 1840 PRIVILEGE, MT 1440 EP PRIVILEGE
20	264821	Hose		1		MT 1840 EP PRIVILEGE, MT 1440 A PRIVILEGE, MT 1840 A PRIVILEGE, MT 1840 PRIVILEGE, MT 1440 EP PRIVILEGE
21	190874	O ring		1		MT 1840 EP PRIVILEGE, MT 1440 A PRIVILEGE, MT 1840 A PRIVILEGE, MT 1840 PRIVILEGE, MT 1440 EP PRIVILEGE
22	173038	Union		1		MT 1840 EP PRIVILEGE, MT 1440 A PRIVILEGE, MT 1840 A PRIVILEGE, MT 1840 PRIVILEGE, MT 1440 EP PRIVILEGE
23	169373	O ring		1		MT 1840 EP PRIVILEGE, MT 1440 A PRIVILEGE, MT 1840 A PRIVILEGE, MT 1840 PRIVILEGE, MT 1440 EP PRIVILEGE
24	174204	Collar		10		MT 1840 EP PRIVILEGE, MT 1440 A PRIVILEGE, MT 1840 A PRIVILEGE, MT 1840 PRIVILEGE, MT 1440 EP PRIVILEGE
25	232463	Collar		2		MT 1840 EP PRIVILEGE, MT 1440 A PRIVILEGE, MT 1840 A PRIVILEGE, MT 1840 PRIVILEGE, MT 1440 EP PRIVILEGE
26	168854	Protection plate		5		MT 1840 EP PRIVILEGE, MT 1440 A PRIVILEGE, MT 1840 A PRIVILEGE, MT 1840 PRIVILEGE, MT 1440 EP PRIVILEGE
27	232747	Protection plate		1		MT 1840 EP PRIVILEGE, MT 1440 A PRIVILEGE, MT 1840 A PRIVILEGE, MT 1840 PRIVILEGE, MT 1440 EP PRIVILEGE
28	18787	Screw	HM8	1		MT 1840 EP PRIVILEGE, MT 1440 A PRIVILEGE, MT 1840 A PRIVILEGE, MT 1840 PRIVILEGE, MT 1440 EP PRIVILEGE
29	259564	Screw	M8	1		MT 1840 EP PRIVILEGE, MT 1440 A PRIVILEGE, MT 1840 A PRIVILEGE, MT 1840 PRIVILEGE, MT 1440 EP PRIVILEGE
30	58528	Nut	M8	1		MT 1840 EP PRIVILEGE, MT 1440 A PRIVILEGE, MT 1840 A PRIVILEGE, MT 1840 PRIVILEGE, MT 1440 EP PRIVILEGE
31	58530	Screw	HM8	3		MT 1840 EP PRIVILEGE, MT 1440 A PRIVILEGE, MT 1840 A PRIVILEGE, MT 1840 PRIVILEGE, MT 1440 EP PRIVILEGE
32	167923	Union		1		MT 1840 EP PRIVILEGE, MT 1440 A PRIVILEGE, MT 1840 A PRIVILEGE, MT 1840 PRIVILEGE, MT 1440 EP PRIVILEGE
33	167925	pipe fitting		1		MT 1840 EP PRIVILEGE, MT 1440 A PRIVILEGE, MT 1840 A PRIVILEGE, MT 1840 PRIVILEGE, MT 1440 EP PRIVILEGE
34	261416	Low pressure		2		MT 1840 EP PRIVILEGE, MT 1440 A PRIVILEGE, MT 1840 A PRIVILEGE, MT 1840 PRIVILEGE, MT 1440 EP PRIVILEGE
36	264892	Wiring harness		1		MT 1840 EP PRIVILEGE, MT 1440 A PRIVILEGE, MT 1840 A PRIVILEGE, MT 1840 PRIVILEGE, MT 1440 EP PRIVILEGE
37	21979	Clamp		6		MT 1840 EP PRIVILEGE, MT 1440 A PRIVILEGE, MT 1840 A PRIVILEGE, MT 1840 PRIVILEGE, MT 1440 EP PRIVILEGE
38	706585	Seal kit		1		MT 1840 EP PRIVILEGE, MT 1440 A PRIVILEGE, MT 1840 A PRIVILEGE, MT 1840 PRIVILEGE, MT 1440 EP PRIVILEGE
39	702682	Electrovalve		1		MT 1840 EP PRIVILEGE, MT 1440 A PRIVILEGE, MT 1840 A PRIVILEGE, MT 1840 PRIVILEGE, MT 1440 EP PRIVILEGE

Item	Part No.	Name	Characteristics	Qty	Superseded PartNumber	Product Type
40	702682	Electrovalve		1		MT 1840 EP PRIVILEGE, MT 1440 A PRIVILEGE, MT 1840 A PRIVILEGE, MT 1840 PRIVILEGE, MT 1440 EP PRIVILEGE
41	702681	Solenoid		2		MT 1840 EP PRIVILEGE, MT 1440 A PRIVILEGE, MT 1840 A PRIVILEGE, MT 1840 PRIVILEGE, MT 1440 EP PRIVILEGE

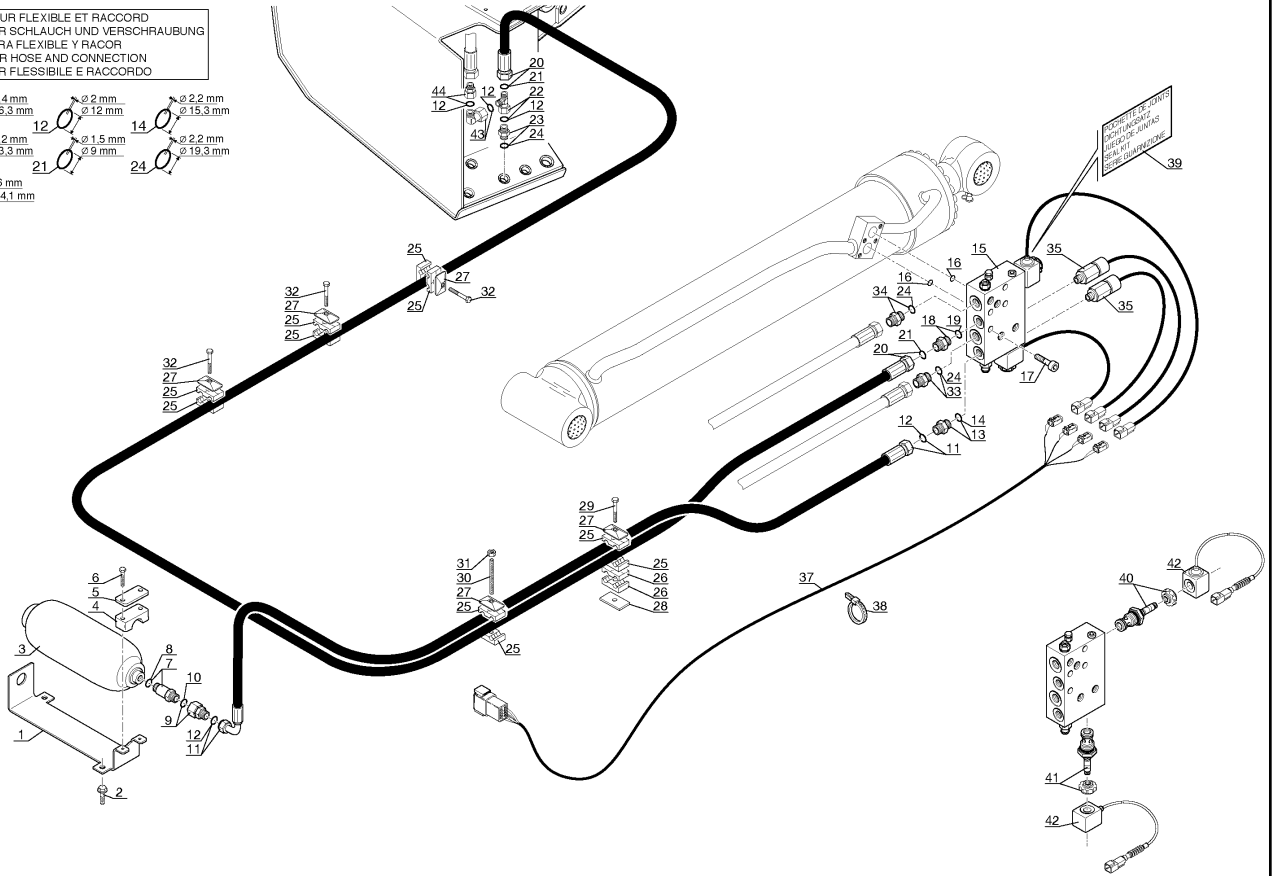
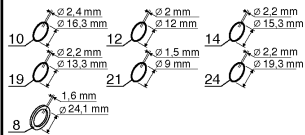
_CIRCUIT - HARNESS

10 AF 541

SUSPENSION DE FLÈCHE (Avec circuit retour de fuite)
 AUSLEGER AUFHÄNGUNG (Mit Montage 2. Rücklauf leitung)
 SUSPENSION DE AGUILÓN (Con circuito retorno de fugas)
 JIB SUSPENSION (With return line circuit)
 SUSPENSIONE BRACCIO (Con ritorno di perdita)

MT 1440 EP PRIVILEGE
 MT 1440 A PRIVILEGE
 MT 1840 PRIVILEGE
 MT 1840 EP PRIVILEGE
 MT 1840 A PRIVILEGE

POUR FLEXIBLE ET RACCORD
 FÜR SCHLAUCH UND VERSCHRAUBUNG
 PARA FLEXIBLE Y RACOR
 FOR HOSE AND CONNECTION
 PER FLESSIBILE E RACCORDO



Item	Part No.	Name	Characteristics	Qty	Superseded PartNumber	Product Type
0	264885	Boom suspensor wiring harness		1		MT 1840 EP PRIVILEGE, MT 1440 A PRIVILEGE, MT 1840 A PRIVILEGE, MT 1840 PRIVILEGE, MT 1440 EP PRIVILEGE
0	750809	Boom suspensor wiring harness		1		MT 1840 EP PRIVILEGE, MT 1440 A PRIVILEGE, MT 1840 A PRIVILEGE, MT 1840 PRIVILEGE, MT 1440 EP PRIVILEGE
1	246673	Hydraulic accumulator bracket		1		MT 1840 EP PRIVILEGE, MT 1440 A PRIVILEGE, MT 1840 A PRIVILEGE, MT 1840 PRIVILEGE, MT 1440 EP PRIVILEGE
2	259601	Screw	M8	2		MT 1840 EP PRIVILEGE, MT 1440 A PRIVILEGE, MT 1840 A PRIVILEGE, MT 1840 PRIVILEGE, MT 1440 EP PRIVILEGE
3	243081	Hydraulic Accumulator		1		MT 1840 EP PRIVILEGE, MT 1440 A PRIVILEGE, MT 1840 A PRIVILEGE, MT 1840 PRIVILEGE, MT 1440 EP PRIVILEGE
4	172228	Half clamp		1		MT 1840 EP PRIVILEGE, MT 1440 A PRIVILEGE, MT 1840 A PRIVILEGE, MT 1840 PRIVILEGE, MT 1440 EP PRIVILEGE
5	168870	Protection plate		1		MT 1840 EP PRIVILEGE, MT 1440 A PRIVILEGE, MT 1840 A PRIVILEGE, MT 1840 PRIVILEGE, MT 1440 EP PRIVILEGE
6	58526	Screw	HM6	2		MT 1840 EP PRIVILEGE, MT 1440 A PRIVILEGE, MT 1840 A PRIVILEGE, MT 1840 PRIVILEGE, MT 1440 EP PRIVILEGE
7	215663	Extension union		1		MT 1840 EP PRIVILEGE, MT 1440 A PRIVILEGE, MT 1840 A PRIVILEGE, MT 1840 PRIVILEGE, MT 1440 EP PRIVILEGE
8	190878	Watertight seal		1		MT 1840 EP PRIVILEGE, MT 1440 A PRIVILEGE, MT 1840 A PRIVILEGE, MT 1840 PRIVILEGE, MT 1440 EP PRIVILEGE
9	205349	Reducing gear adaptor connector		1		MT 1840 EP PRIVILEGE, MT 1440 A PRIVILEGE, MT 1840 A PRIVILEGE, MT 1840 PRIVILEGE, MT 1440 EP PRIVILEGE
10	25002	O ring		1		MT 1840 EP PRIVILEGE, MT 1440 A PRIVILEGE, MT 1840 A PRIVILEGE, MT 1840 PRIVILEGE, MT 1440 EP PRIVILEGE
11	259572	Hose	L1450	1		MT 1840 EP PRIVILEGE, MT 1440 A PRIVILEGE, MT 1840 A PRIVILEGE, MT 1840 PRIVILEGE, MT 1440 EP PRIVILEGE
12	189956	O ring		1		MT 1840 EP PRIVILEGE, MT 1440 A PRIVILEGE, MT 1840 A PRIVILEGE, MT 1840 PRIVILEGE, MT 1440 EP PRIVILEGE
13	74362	Union		1		MT 1840 EP PRIVILEGE, MT 1440 A PRIVILEGE, MT 1840 A PRIVILEGE, MT 1840 PRIVILEGE, MT 1440 EP PRIVILEGE
14	169552	Seal		1		MT 1840 EP PRIVILEGE, MT 1440 A PRIVILEGE, MT 1840 A PRIVILEGE, MT 1840 PRIVILEGE, MT 1440 EP PRIVILEGE
15	260693	Electrovalve		1		MT 1840 EP PRIVILEGE, MT 1440 A PRIVILEGE, MT 1840 A PRIVILEGE, MT 1840 PRIVILEGE, MT 1440 EP PRIVILEGE
16	189960	Seal		2		MT 1840 EP PRIVILEGE, MT 1440 A PRIVILEGE, MT 1840 A PRIVILEGE, MT 1840 PRIVILEGE, MT 1440 EP PRIVILEGE
17	5324	Screw	M8	4		MT 1840 EP PRIVILEGE, MT 1440 A PRIVILEGE, MT 1840 A PRIVILEGE, MT 1840 PRIVILEGE, MT 1440 EP PRIVILEGE
18	167927	Union		1		MT 1840 EP PRIVILEGE, MT 1440 A PRIVILEGE, MT 1840 A PRIVILEGE, MT 1840 PRIVILEGE, MT 1440 EP PRIVILEGE

Item	Part No.	Name	Characteristics	Qty	Superseded PartNumber	Product Type
19	169436	O ring		1		MT 1840 EP PRIVILEGE, MT 1440 A PRIVILEGE, MT 1840 A PRIVILEGE, MT 1840 PRIVILEGE, MT 1440 EP PRIVILEGE
20	264821	Hose		1		MT 1840 EP PRIVILEGE, MT 1440 A PRIVILEGE, MT 1840 A PRIVILEGE, MT 1840 PRIVILEGE, MT 1440 EP PRIVILEGE
21	190874	O ring		1		MT 1840 EP PRIVILEGE, MT 1440 A PRIVILEGE, MT 1840 A PRIVILEGE, MT 1840 PRIVILEGE, MT 1440 EP PRIVILEGE
22	210971	Adaptor T-connector		1		MT 1840 EP PRIVILEGE, MT 1440 A PRIVILEGE, MT 1840 A PRIVILEGE, MT 1840 PRIVILEGE, MT 1440 EP PRIVILEGE
23	167925	pipe fitting		1		MT 1840 EP PRIVILEGE, MT 1440 A PRIVILEGE, MT 1840 A PRIVILEGE, MT 1840 PRIVILEGE, MT 1440 EP PRIVILEGE
24	169373	O ring		1		MT 1840 EP PRIVILEGE, MT 1440 A PRIVILEGE, MT 1840 A PRIVILEGE, MT 1840 PRIVILEGE, MT 1440 EP PRIVILEGE
25	174204	Collar		10		MT 1840 EP PRIVILEGE, MT 1440 A PRIVILEGE, MT 1840 A PRIVILEGE, MT 1840 PRIVILEGE, MT 1440 EP PRIVILEGE
26	232463	Collar		2		MT 1840 EP PRIVILEGE, MT 1440 A PRIVILEGE, MT 1840 A PRIVILEGE, MT 1840 PRIVILEGE, MT 1440 EP PRIVILEGE
27	168854	Protection plate		5		MT 1840 EP PRIVILEGE, MT 1440 A PRIVILEGE, MT 1840 A PRIVILEGE, MT 1840 PRIVILEGE, MT 1440 EP PRIVILEGE
28	232747	Protection plate		1		MT 1840 EP PRIVILEGE, MT 1440 A PRIVILEGE, MT 1840 A PRIVILEGE, MT 1840 PRIVILEGE, MT 1440 EP PRIVILEGE
29	18787	Screw	HM8	1		MT 1840 EP PRIVILEGE, MT 1440 A PRIVILEGE, MT 1840 A PRIVILEGE, MT 1840 PRIVILEGE, MT 1440 EP PRIVILEGE
30	259564	Screw	M8	1		MT 1840 EP PRIVILEGE, MT 1440 A PRIVILEGE, MT 1840 A PRIVILEGE, MT 1840 PRIVILEGE, MT 1440 EP PRIVILEGE
31	58528	Nut	M8	1		MT 1840 EP PRIVILEGE, MT 1440 A PRIVILEGE, MT 1840 A PRIVILEGE, MT 1840 PRIVILEGE, MT 1440 EP PRIVILEGE
32	58530	Screw	HM8	3		MT 1840 EP PRIVILEGE, MT 1440 A PRIVILEGE, MT 1840 A PRIVILEGE, MT 1840 PRIVILEGE, MT 1440 EP PRIVILEGE
33	167923	Union		1		MT 1840 EP PRIVILEGE, MT 1440 A PRIVILEGE, MT 1840 A PRIVILEGE, MT 1840 PRIVILEGE, MT 1440 EP PRIVILEGE
34	167925	pipe fitting		1		MT 1840 EP PRIVILEGE, MT 1440 A PRIVILEGE, MT 1840 A PRIVILEGE, MT 1840 PRIVILEGE, MT 1440 EP PRIVILEGE
35	261416	Low pressure		2		MT 1840 EP PRIVILEGE, MT 1440 A PRIVILEGE, MT 1840 A PRIVILEGE, MT 1840 PRIVILEGE, MT 1440 EP PRIVILEGE
37	264892	Wiring harness		1		MT 1840 EP PRIVILEGE, MT 1440 A PRIVILEGE, MT 1840 A PRIVILEGE, MT 1840 PRIVILEGE, MT 1440 EP PRIVILEGE
38	21979	Clamp		6		MT 1840 EP PRIVILEGE, MT 1440 A PRIVILEGE, MT 1840 A PRIVILEGE, MT 1840 PRIVILEGE, MT 1440 EP PRIVILEGE
39	706585	Seal kit		1		MT 1840 EP PRIVILEGE, MT 1440 A PRIVILEGE, MT 1840 A PRIVILEGE, MT 1840 PRIVILEGE, MT 1440 EP PRIVILEGE

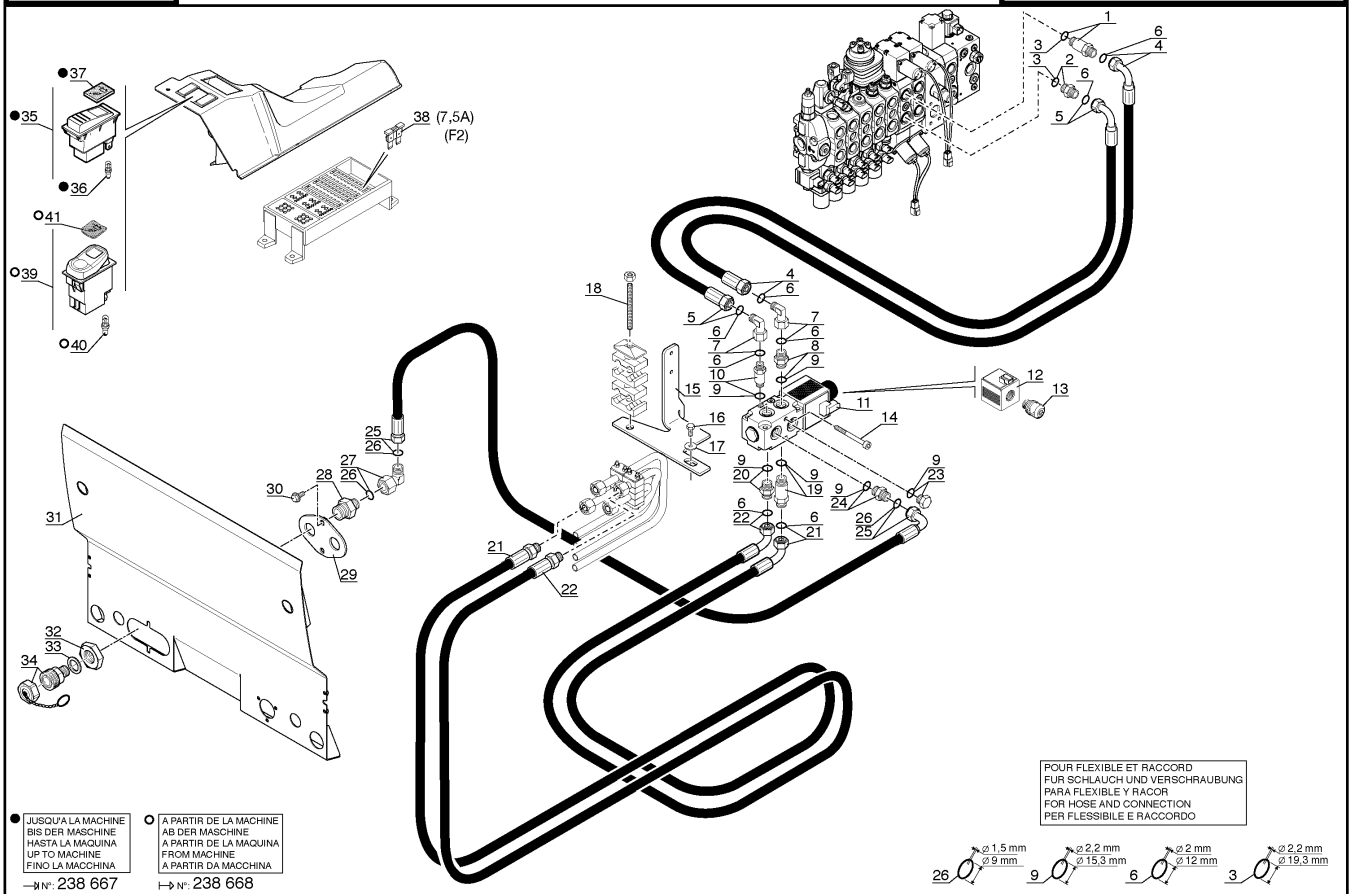
Item	Part No.	Name	Characteristics	Qty	Superseded PartNumber	Product Type
40	702682	Electrovalve		1		MT 1840 EP PRIVILEGE, MT 1440 A PRIVILEGE, MT 1840 A PRIVILEGE, MT 1840 PRIVILEGE, MT 1440 EP PRIVILEGE
41	702682	Electrovalve		1		MT 1840 EP PRIVILEGE, MT 1440 A PRIVILEGE, MT 1840 A PRIVILEGE, MT 1840 PRIVILEGE, MT 1440 EP PRIVILEGE
42	702681	Solenoid		2		MT 1840 EP PRIVILEGE, MT 1440 A PRIVILEGE, MT 1840 A PRIVILEGE, MT 1840 PRIVILEGE, MT 1440 EP PRIVILEGE
43	193325	Elbow connector adaptor		1		MT 1840 EP PRIVILEGE, MT 1440 A PRIVILEGE, MT 1840 A PRIVILEGE, MT 1840 PRIVILEGE, MT 1440 EP PRIVILEGE
44	175076	Reducing gear adaptor connector		1		MT 1840 EP PRIVILEGE, MT 1440 A PRIVILEGE, MT 1840 A PRIVILEGE, MT 1840 PRIVILEGE, MT 1440 EP PRIVILEGE

_CIRCUIT - HARNESS

10 AF 545

HYDRAULIQUE (Circuit arrière : simple effet)
 HYDRAULIK (Rechtkreis : Einfachwirkend)
 HIDRAULICO (Circuito trasero : simple efecto)
 HYDRAULIC (Tail circuit : single - acting)
 IDRAULICO (Circuito posteriore : simple efecto)

MT 1440 PRIVILEGE
 MT 1840 PRIVILEGE



● JUSQU'A LA MACHINE
 BIS DER MASCHINE
 HASTA LA MAQUINA
 UP TO MACHINE
 FINO LA MACCHINA
 → N°: 238 667

○ A PARTIR DE LA MACHINE
 AB DER MASCHINE
 A PARTIR DE LA MAQUINA
 FROM MACHINE
 A PARTIR DA MACCHINA
 ↳ N°: 238 668

POUR FLEXIBLE ET RACCORD
 FÜR SCHLAUCH UND VERSCHRAUBUNG
 PARA FLEXIBLE Y RACOR
 FOR HOSE AND CONNECTION
 PER FLESSIBILE E RACCORDO

26	∅ 1.5 mm	9	∅ 2.2 mm	6	∅ 2 mm	3	∅ 2.2 mm
	∅ 9 mm		∅ 15,3 mm		∅ 12 mm		∅ 19,3 mm

12 / 04 / 07

P. A. O. Illius

Item	Part No.	Name	Characteristics	Qty	Superseded PartNumber	Product Type
0	750779	Tail circuit single-acting kit		1		MT 1440 PRIVILEGE, MT 1840 PRIVILEGE
0	750779OPT	KIT		1	264400	MT 1440 PRIVILEGE, MT 1840 PRIVILEGE
0	750777	Tail circuit single-acting kit		1		MT 1440 PRIVILEGE, MT 1840 PRIVILEGE
0	750777OPT	KIT		1	264383	MT 1440 PRIVILEGE, MT 1840 PRIVILEGE
1	261349	Extension union		1		MT 1440 PRIVILEGE, MT 1840 PRIVILEGE
2	167925	pipe fitting		1		MT 1440 PRIVILEGE, MT 1840 PRIVILEGE
3	169373	O ring		1		MT 1440 PRIVILEGE, MT 1840 PRIVILEGE
4	264381	Hose	L2950	1		MT 1440 PRIVILEGE, MT 1840 PRIVILEGE
5	203820	Hose		1		MT 1440 PRIVILEGE, MT 1840 PRIVILEGE
6	189956	O ring		1		MT 1440 PRIVILEGE, MT 1840 PRIVILEGE
7	193325	Elbow connector adaptor		2		MT 1440 PRIVILEGE, MT 1840 PRIVILEGE
8	74362	Union		1		MT 1440 PRIVILEGE, MT 1840 PRIVILEGE
9	169552	Seal		1		MT 1440 PRIVILEGE, MT 1840 PRIVILEGE
10	174618	Extension union		1		MT 1440 PRIVILEGE, MT 1840 PRIVILEGE
11	261285	Complete electrovalve		1		MT 1440 PRIVILEGE, MT 1840 PRIVILEGE
12	746007	Solenoid		1		MT 1440 PRIVILEGE, MT 1840 PRIVILEGE
13	747354	Plug		1		MT 1440 PRIVILEGE, MT 1840 PRIVILEGE
14	222126	Screw	M8	2		MT 1440 PRIVILEGE, MT 1840 PRIVILEGE
15	264363	Support		1		MT 1440 PRIVILEGE, MT 1840 PRIVILEGE
16	58531	Screw	HM8	1		MT 1440 PRIVILEGE, MT 1840 PRIVILEGE
16	5309	Screw	HM8	1		MT 1440 PRIVILEGE, MT 1840 PRIVILEGE
17	44025	Washer		1		MT 1440 PRIVILEGE, MT 1840 PRIVILEGE
18	259565	Screw	M8	1		MT 1440 PRIVILEGE, MT 1840 PRIVILEGE
19	264358	Extension union		1		MT 1440 PRIVILEGE, MT 1840 PRIVILEGE
20	74362	Union		1		MT 1440 PRIVILEGE, MT 1840 PRIVILEGE
21	207414	Hose	L2100	1		MT 1440 PRIVILEGE, MT 1840 PRIVILEGE
22	264345	Hose	L2215	1		MT 1440 PRIVILEGE, MT 1840 PRIVILEGE
23	256510	Plug		1		MT 1440 PRIVILEGE, MT 1840 PRIVILEGE
24	168753	Union		1		MT 1440 PRIVILEGE, MT 1840 PRIVILEGE
25	247861	Hose	L550	1		MT 1440 PRIVILEGE, MT 1840 PRIVILEGE
26	190874	O ring		1		MT 1440 PRIVILEGE, MT 1840 PRIVILEGE
27	264339	Elbow connector adaptor		1		MT 1440 PRIVILEGE, MT 1840 PRIVILEGE
28	191367	Union		1		MT 1440 PRIVILEGE, MT 1840 PRIVILEGE
29	264361	Fastening plate		1		MT 1440 PRIVILEGE, MT 1840 PRIVILEGE
30	259946	Screw	M8	2		MT 1440 PRIVILEGE, MT 1840 PRIVILEGE
31	264372	Lower rear sheat		1		MT 1440 PRIVILEGE, MT 1840 PRIVILEGE
32	166769	Nut	M27	1		MT 1440 PRIVILEGE, MT 1840 PRIVILEGE
33	82729	Copper joint		1		MT 1440 PRIVILEGE, MT 1840 PRIVILEGE

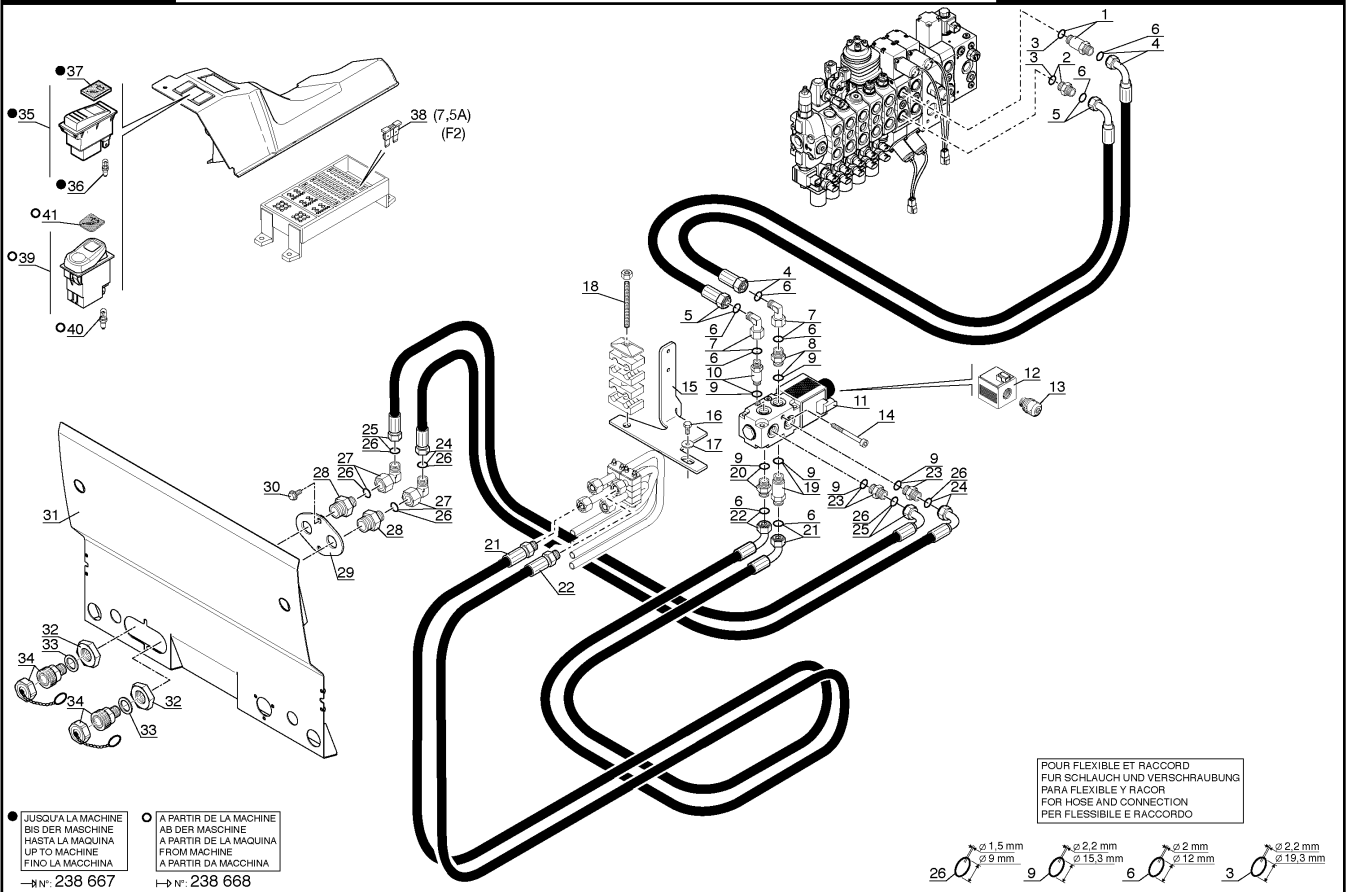
Item	Part No.	Name	Characteristics	Qty	Superseded PartNumber	Product Type
34	58167	Connection		1		MT 1440 PRIVILEGE, MT 1840 PRIVILEGE
35	264404	Switch		1		MT 1440 PRIVILEGE, MT 1840 PRIVILEGE
36	170836	Bulb		1		MT 1440 PRIVILEGE, MT 1840 PRIVILEGE
37	746276	Lens		1		MT 1440 PRIVILEGE, MT 1840 PRIVILEGE
38	225185	Fuse 7.5A	7,5A	1		MT 1440 PRIVILEGE, MT 1840 PRIVILEGE
39	266250	Switch		1		MT 1440 PRIVILEGE, MT 1840 PRIVILEGE
40	170836	Bulb		1		MT 1440 PRIVILEGE, MT 1840 PRIVILEGE
41	747018	Lens		1		MT 1440 PRIVILEGE, MT 1840 PRIVILEGE

_CIRCUIT - HARNESS

10 AF 547

HYDRAULIQUE (Circuit arrière : double effet)
 HYDRAULIK (Rechtkreis : Doppeltwirkend)
 HIDRAULICO (Circuito trasero : doble efecto)
 HYDRAULIC (Tail circuit : double - acting)
 IDRAULICO (Circuito posteriore : doble efecto)

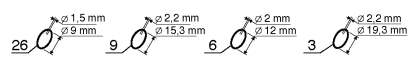
MT 1440 PRIVILEGE
 MT 1840 PRIVILEGE



● JUSQU'A LA MACHINE
 BIS DER MASCHINE
 HASTA LA MAQUINA
 UP TO MACHINE
 FINO LA MACCHINA
 ←N°: 238 667

○ A PARTIR DE LA MACHINE
 AB DER MASCHINE
 A PARTIR DE LA MAQUINA
 FROM MACHINE
 A PARTIR DA MACCHINA
 ↳N°: 238 668

POUR FLEXIBLE ET RACCORD
 FÜR SCHLAUCH UND VERSCHRAUBUNG
 PARA FLEXIBLE Y RACOR
 FOR HOSE AND CONNECTION
 PER FLESSIBILE E RACCORDO



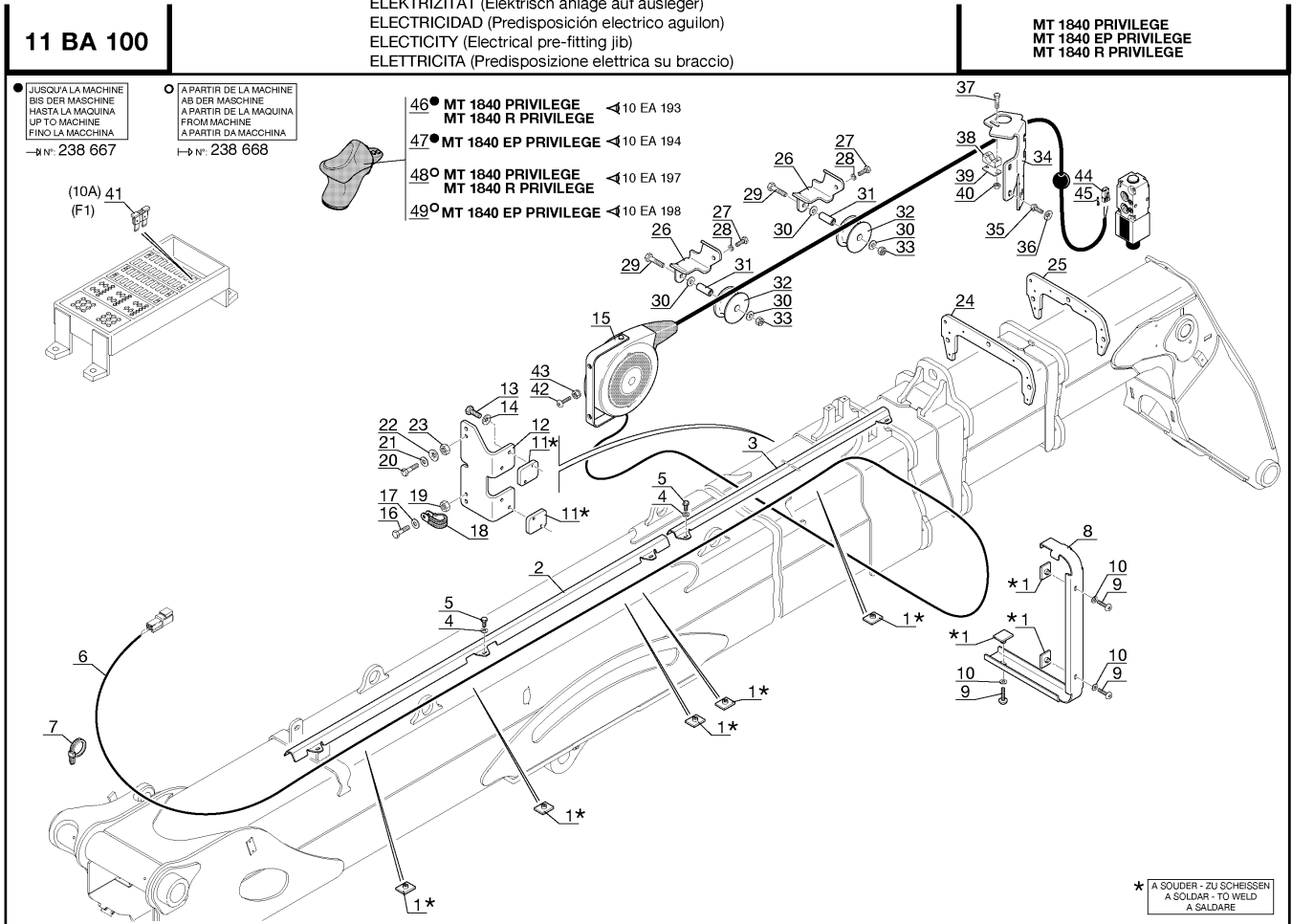
P. A. O. Illius

12 / 04 / 07

Item	Part No.	Name	Characteristics	Qty	Superseded PartNumber	Product Type
0	750783OPT	KIT		1	264402	MT 1440 PRIVILEGE, MT 1840 PRIVILEGE
0	750781OPT	KIT		1	264385	MT 1440 PRIVILEGE, MT 1840 PRIVILEGE
0	750781	Tail circuit double-acting kit		1		MT 1440 PRIVILEGE, MT 1840 PRIVILEGE
0	750783	Tail circuit double-acting kit		1		MT 1440 PRIVILEGE, MT 1840 PRIVILEGE
1	261349	Extension union		1		MT 1440 PRIVILEGE, MT 1840 PRIVILEGE
2	167925	pipe fitting		1		MT 1440 PRIVILEGE, MT 1840 PRIVILEGE
3	169373	O ring		1		MT 1440 PRIVILEGE, MT 1840 PRIVILEGE
4	264381	Hose	L2950	1		MT 1440 PRIVILEGE, MT 1840 PRIVILEGE
5	203820	Hose		1		MT 1440 PRIVILEGE, MT 1840 PRIVILEGE
6	189956	O ring		1		MT 1440 PRIVILEGE, MT 1840 PRIVILEGE
7	193325	Elbow connector adaptor		2		MT 1440 PRIVILEGE, MT 1840 PRIVILEGE
8	74362	Union		1		MT 1440 PRIVILEGE, MT 1840 PRIVILEGE
9	169552	Seal		1		MT 1440 PRIVILEGE, MT 1840 PRIVILEGE
10	174618	Extension union		1		MT 1440 PRIVILEGE, MT 1840 PRIVILEGE
11	261285	Complete electrovalve		1		MT 1440 PRIVILEGE, MT 1840 PRIVILEGE
12	746007	Solenoid		1		MT 1440 PRIVILEGE, MT 1840 PRIVILEGE
13	747354	Plug		1		MT 1440 PRIVILEGE, MT 1840 PRIVILEGE
14	222126	Screw	M8	2		MT 1440 PRIVILEGE, MT 1840 PRIVILEGE
15	264363	Support		1		MT 1440 PRIVILEGE, MT 1840 PRIVILEGE
16	58531	Screw	HM8	1		MT 1440 PRIVILEGE, MT 1840 PRIVILEGE
16	5309	Screw	HM8	1		MT 1440 PRIVILEGE, MT 1840 PRIVILEGE
17	44025	Washer		1		MT 1440 PRIVILEGE, MT 1840 PRIVILEGE
18	259565	Screw	M8	1		MT 1440 PRIVILEGE, MT 1840 PRIVILEGE
19	264358	Extension union		1		MT 1440 PRIVILEGE, MT 1840 PRIVILEGE
20	74362	Union		1		MT 1440 PRIVILEGE, MT 1840 PRIVILEGE
21	207414	Hose	L2100	1		MT 1440 PRIVILEGE, MT 1840 PRIVILEGE
22	264345	Hose	L2215	1		MT 1440 PRIVILEGE, MT 1840 PRIVILEGE
23	168753	Union		2		MT 1440 PRIVILEGE, MT 1840 PRIVILEGE
24	111790	Compensation cylinder hose	L600	1		MT 1440 PRIVILEGE, MT 1840 PRIVILEGE
25	247861	Hose	L550	1		MT 1440 PRIVILEGE, MT 1840 PRIVILEGE
26	190874	O ring		1		MT 1440 PRIVILEGE, MT 1840 PRIVILEGE
27	264339	Elbow connector adaptor		2		MT 1440 PRIVILEGE, MT 1840 PRIVILEGE
28	191367	Union		2		MT 1440 PRIVILEGE, MT 1840 PRIVILEGE
29	264361	Fastening plate		1		MT 1440 PRIVILEGE, MT 1840 PRIVILEGE
30	259946	Screw	M8	2		MT 1440 PRIVILEGE, MT 1840 PRIVILEGE
31	264372	Lower rear sheat		1		MT 1440 PRIVILEGE, MT 1840 PRIVILEGE
32	166769	Nut	M27	2		MT 1440 PRIVILEGE, MT 1840 PRIVILEGE

Item	Part No.	Name	Characteristics	Qty	Superseded PartNumber	Product Type
33	82729	Copper joint		2		MT 1440 PRIVILEGE, MT 1840 PRIVILEGE
34	58167	Connection		2		MT 1440 PRIVILEGE, MT 1840 PRIVILEGE
35	264404	Switch		1		MT 1440 PRIVILEGE, MT 1840 PRIVILEGE
36	170836	Bulb		1		MT 1440 PRIVILEGE, MT 1840 PRIVILEGE
37	746276	Lens		1		MT 1440 PRIVILEGE, MT 1840 PRIVILEGE
38	225185	Fuse 7.5A	7,5A	1		MT 1440 PRIVILEGE, MT 1840 PRIVILEGE
39	266250	Switch		1		MT 1440 PRIVILEGE, MT 1840 PRIVILEGE
40	170836	Bulb		1		MT 1440 PRIVILEGE, MT 1840 PRIVILEGE
41	747018	Lens		1		MT 1440 PRIVILEGE, MT 1840 PRIVILEGE

_CIRCUIT - HARNESS

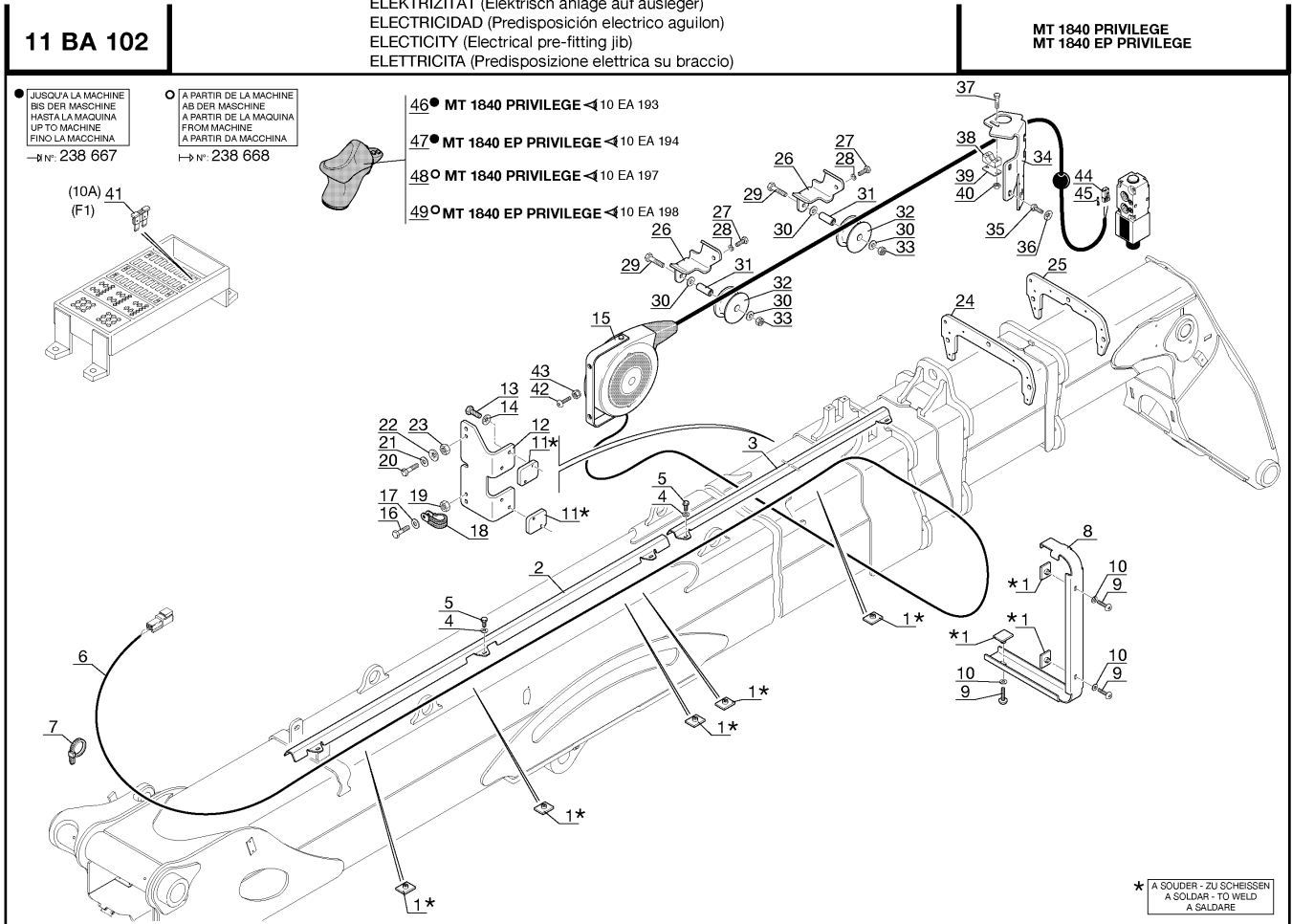


Item	Part No.	Name	Characteristics	Qty	Superseded PartNumber	Product Type
0	750861	Electrovalve kit		1		MT 1840 EP PRIVILEGE, MT 1840 R PRIVILEGE, MT 1840 PRIVILEGE
0	750863	Electrovalve - Boom head kit		1		MT 1840 EP PRIVILEGE, MT 1840 R PRIVILEGE, MT 1840 PRIVILEGE
0	750863OPT	ELECTROVALVE		1	265004	MT 1840 EP PRIVILEGE, MT 1840 R PRIVILEGE, MT 1840 PRIVILEGE
0	265002	Electrovalve - Boom head kit		1		MT 1840 EP PRIVILEGE, MT 1840 R PRIVILEGE, MT 1840 PRIVILEGE
1	168848	Mounting plate		8		MT 1840 EP PRIVILEGE, MT 1840 R PRIVILEGE, MT 1840 PRIVILEGE
2	264238	Gutter		1		MT 1840 EP PRIVILEGE, MT 1840 R PRIVILEGE, MT 1840 PRIVILEGE
3	264237	Front gutter		1		MT 1840 EP PRIVILEGE, MT 1840 R PRIVILEGE, MT 1840 PRIVILEGE
4	29469	Washer	M6	5		MT 1840 EP PRIVILEGE, MT 1840 R PRIVILEGE, MT 1840 PRIVILEGE
5	50896	Screw	HM6	5		MT 1840 EP PRIVILEGE, MT 1840 R PRIVILEGE, MT 1840 PRIVILEGE
6	264279	Wiring harness		1		MT 1840 EP PRIVILEGE, MT 1840 R PRIVILEGE, MT 1840 PRIVILEGE
7	21979	Clamp		6		MT 1840 EP PRIVILEGE, MT 1840 R PRIVILEGE, MT 1840 PRIVILEGE
8	264272	Side drain gutter		1		MT 1840 EP PRIVILEGE, MT 1840 R PRIVILEGE, MT 1840 PRIVILEGE
9	228244	Screw	M6	3		MT 1840 EP PRIVILEGE, MT 1840 R PRIVILEGE, MT 1840 PRIVILEGE
10	189857	Washer	M6	3		MT 1840 EP PRIVILEGE, MT 1840 R PRIVILEGE, MT 1840 PRIVILEGE
11	264266	Mounting plate		2		MT 1840 EP PRIVILEGE, MT 1840 R PRIVILEGE, MT 1840 PRIVILEGE
12	243077	Support		1		MT 1840 EP PRIVILEGE, MT 1840 R PRIVILEGE, MT 1840 PRIVILEGE
13	54951	Screw	HM8	4		MT 1840 EP PRIVILEGE, MT 1840 R PRIVILEGE, MT 1840 PRIVILEGE
14	63351	Washer	M8	4		MT 1840 EP PRIVILEGE, MT 1840 R PRIVILEGE, MT 1840 PRIVILEGE
15	221605	Hose reel		1		MT 1840 EP PRIVILEGE, MT 1840 R PRIVILEGE, MT 1840 PRIVILEGE
16	63754	Screw	HM8	1		MT 1840 EP PRIVILEGE, MT 1840 R PRIVILEGE, MT 1840 PRIVILEGE
17	29468	Washer	L8	1		MT 1840 EP PRIVILEGE, MT 1840 R PRIVILEGE, MT 1840 PRIVILEGE
18	249209	Clamp		1		MT 1840 EP PRIVILEGE, MT 1840 R PRIVILEGE, MT 1840 PRIVILEGE
19	58528	Nut	M8	1		MT 1840 EP PRIVILEGE, MT 1840 R PRIVILEGE, MT 1840 PRIVILEGE
20	57446	Screw	HM8	1		MT 1840 EP PRIVILEGE, MT 1840 R PRIVILEGE, MT 1840 PRIVILEGE
21	29468	Washer	L8	1		MT 1840 EP PRIVILEGE, MT 1840 R PRIVILEGE, MT 1840 PRIVILEGE
22	63351	Washer	M8	1		MT 1840 EP PRIVILEGE, MT 1840 R PRIVILEGE, MT 1840 PRIVILEGE

Item	Part No.	Name	Characteristics	Qty	Superseded PartNumber	Product Type
23	58528	Nut	M8	1		MT 1840 EP PRIVILEGE, MT 1840 R PRIVILEGE, MT 1840 PRIVILEGE
24	264246	Fastening lug		1		MT 1840 EP PRIVILEGE, MT 1840 R PRIVILEGE, MT 1840 PRIVILEGE
25	264247	Fastening lug		1		MT 1840 EP PRIVILEGE, MT 1840 R PRIVILEGE, MT 1840 PRIVILEGE
26	264264	Bracket pulley		2		MT 1840 EP PRIVILEGE, MT 1840 R PRIVILEGE, MT 1840 PRIVILEGE
27	60360	Screw	HM10	2		MT 1840 EP PRIVILEGE, MT 1840 R PRIVILEGE, MT 1840 PRIVILEGE
28	42232	Washer		2		MT 1840 EP PRIVILEGE, MT 1840 R PRIVILEGE, MT 1840 PRIVILEGE
29	58538	Screw	HM10	2		MT 1840 EP PRIVILEGE, MT 1840 R PRIVILEGE, MT 1840 PRIVILEGE
30	61675	Washer	L10	4		MT 1840 EP PRIVILEGE, MT 1840 R PRIVILEGE, MT 1840 PRIVILEGE
31	242853	spacer		2		MT 1840 EP PRIVILEGE, MT 1840 R PRIVILEGE, MT 1840 PRIVILEGE
32	182211	Pulley		2		MT 1840 EP PRIVILEGE, MT 1840 R PRIVILEGE, MT 1840 PRIVILEGE
33	55714	Nut	M10	2		MT 1840 EP PRIVILEGE, MT 1840 R PRIVILEGE, MT 1840 PRIVILEGE
34	264267	Connector bracket		1		MT 1840 EP PRIVILEGE, MT 1840 R PRIVILEGE, MT 1840 PRIVILEGE
35	54951	Screw	HM8	2		MT 1840 EP PRIVILEGE, MT 1840 R PRIVILEGE, MT 1840 PRIVILEGE
36	63351	Washer	M8	2		MT 1840 EP PRIVILEGE, MT 1840 R PRIVILEGE, MT 1840 PRIVILEGE
37	54305	Screw	HM6	2		MT 1840 EP PRIVILEGE, MT 1840 R PRIVILEGE, MT 1840 PRIVILEGE
38	168487	Half clamp		1		MT 1840 EP PRIVILEGE, MT 1840 R PRIVILEGE, MT 1840 PRIVILEGE
39	168490	Protection plate		1		MT 1840 EP PRIVILEGE, MT 1840 R PRIVILEGE, MT 1840 PRIVILEGE
40	25714	Nut	M6	2		MT 1840 EP PRIVILEGE, MT 1840 R PRIVILEGE, MT 1840 PRIVILEGE
41	225186	Fuse 10A	10A	1		MT 1840 EP PRIVILEGE, MT 1840 R PRIVILEGE, MT 1840 PRIVILEGE
42	196951	Screw	M6	1		MT 1840 EP PRIVILEGE, MT 1840 R PRIVILEGE, MT 1840 PRIVILEGE
43	162229	Nut	M6	1		MT 1840 EP PRIVILEGE, MT 1840 R PRIVILEGE, MT 1840 PRIVILEGE
44	552457	Male connector		1		MT 1840 EP PRIVILEGE, MT 1840 R PRIVILEGE, MT 1840 PRIVILEGE
45	551942	Female Cable Terminal		2		MT 1840 EP PRIVILEGE, MT 1840 R PRIVILEGE, MT 1840 PRIVILEGE
46	290604	Manipulator		1		MT 1840 EP PRIVILEGE, MT 1840 R PRIVILEGE, MT 1840 PRIVILEGE
47	290606	Manipulator JSM		1		MT 1840 EP PRIVILEGE, MT 1840 R PRIVILEGE, MT 1840 PRIVILEGE
48	290604	Manipulator		1		MT 1840 EP PRIVILEGE, MT 1840 R PRIVILEGE, MT 1840 PRIVILEGE

Item	Part No.	Name	Characteristics	Qty	Superseded PartNumber	Product Type
49	290606	Manipulator JSM		1		MT 1840 EP PRIVILEGE, MT 1840 R PRIVILEGE, MT 1840 PRIVILEGE

_CIRCUIT - HARNESS



Item	Part No.	Name	Characteristics	Qty	Superseded PartNumber	Product Type
0	750866	Hydraulic electrovalve + attachment locking kit		1		MT 1840 EP PRIVILEGE, MT 1840 PRIVILEGE
0	750868	Electrovalve hydraulic kit + Locking of attachments		1		MT 1840 EP PRIVILEGE, MT 1840 PRIVILEGE
0	750868OPT	ELECTROVALVE		1	265031	MT 1840 EP PRIVILEGE, MT 1840 PRIVILEGE
0	750866OPT	ELECTROVALVE		1	265029	MT 1840 EP PRIVILEGE, MT 1840 PRIVILEGE
1	168848	Mounting plate		8		MT 1840 EP PRIVILEGE, MT 1840 PRIVILEGE
2	264238	Gutter		1		MT 1840 EP PRIVILEGE, MT 1840 PRIVILEGE
3	264237	Front gutter		1		MT 1840 EP PRIVILEGE, MT 1840 PRIVILEGE
4	29469	Washer	M6	5		MT 1840 EP PRIVILEGE, MT 1840 PRIVILEGE
5	50896	Screw	HM6	5		MT 1840 EP PRIVILEGE, MT 1840 PRIVILEGE
6	264279	Wiring harness		1		MT 1840 EP PRIVILEGE, MT 1840 PRIVILEGE
7	21979	Clamp		6		MT 1840 EP PRIVILEGE, MT 1840 PRIVILEGE
8	264272	Side drain gutter		1		MT 1840 EP PRIVILEGE, MT 1840 PRIVILEGE
9	228244	Screw	M6	3		MT 1840 EP PRIVILEGE, MT 1840 PRIVILEGE
10	189857	Washer	M6	3		MT 1840 EP PRIVILEGE, MT 1840 PRIVILEGE
11	264266	Mounting plate		2		MT 1840 EP PRIVILEGE, MT 1840 PRIVILEGE
12	243077	Support		1		MT 1840 EP PRIVILEGE, MT 1840 PRIVILEGE
13	54951	Screw	HM8	4		MT 1840 EP PRIVILEGE, MT 1840 PRIVILEGE
14	63351	Washer	M8	4		MT 1840 EP PRIVILEGE, MT 1840 PRIVILEGE
15	221605	Hose reel		1		MT 1840 EP PRIVILEGE, MT 1840 PRIVILEGE
16	63754	Screw	HM8	1		MT 1840 EP PRIVILEGE, MT 1840 PRIVILEGE
17	29468	Washer	L8	1		MT 1840 EP PRIVILEGE, MT 1840 PRIVILEGE
18	249209	Clamp		1		MT 1840 EP PRIVILEGE, MT 1840 PRIVILEGE
19	58528	Nut	M8	1		MT 1840 EP PRIVILEGE, MT 1840 PRIVILEGE
20	57446	Screw	HM8	1		MT 1840 EP PRIVILEGE, MT 1840 PRIVILEGE
21	29468	Washer	L8	1		MT 1840 EP PRIVILEGE, MT 1840 PRIVILEGE
22	63351	Washer	M8	1		MT 1840 EP PRIVILEGE, MT 1840 PRIVILEGE

Item	Part No.	Name	Characteristics	Qty	Superseded PartNumber	Product Type
23	58528	Nut	M8	1		MT 1840 EP PRIVILEGE, MT 1840 PRIVILEGE
24	264246	Fastening lug		1		MT 1840 EP PRIVILEGE, MT 1840 PRIVILEGE
25	264247	Fastening lug		1		MT 1840 EP PRIVILEGE, MT 1840 PRIVILEGE
26	264264	Bracket pulley		2		MT 1840 EP PRIVILEGE, MT 1840 PRIVILEGE
27	60360	Screw	HM10	2		MT 1840 EP PRIVILEGE, MT 1840 PRIVILEGE
28	42232	Washer		2		MT 1840 EP PRIVILEGE, MT 1840 PRIVILEGE
29	58538	Screw	HM10	2		MT 1840 EP PRIVILEGE, MT 1840 PRIVILEGE
30	61675	Washer	L10	4		MT 1840 EP PRIVILEGE, MT 1840 PRIVILEGE
31	242853	spacer		2		MT 1840 EP PRIVILEGE, MT 1840 PRIVILEGE
32	182211	Pulley		2		MT 1840 EP PRIVILEGE, MT 1840 PRIVILEGE
33	55714	Nut	M10	2		MT 1840 EP PRIVILEGE, MT 1840 PRIVILEGE
34	264267	Connector bracket		1		MT 1840 EP PRIVILEGE, MT 1840 PRIVILEGE
35	54951	Screw	HM8	2		MT 1840 EP PRIVILEGE, MT 1840 PRIVILEGE
36	63351	Washer	M8	2		MT 1840 EP PRIVILEGE, MT 1840 PRIVILEGE
37	54305	Screw	HM6	2		MT 1840 EP PRIVILEGE, MT 1840 PRIVILEGE
38	168487	Half clamp		1		MT 1840 EP PRIVILEGE, MT 1840 PRIVILEGE
39	168490	Protection plate		1		MT 1840 EP PRIVILEGE, MT 1840 PRIVILEGE
40	25714	Nut	M6	2		MT 1840 EP PRIVILEGE, MT 1840 PRIVILEGE
41	225186	Fuse 10A	10A	1		MT 1840 EP PRIVILEGE, MT 1840 PRIVILEGE
42	196951	Screw	M6	1		MT 1840 EP PRIVILEGE, MT 1840 PRIVILEGE
43	162229	Nut	M6	1		MT 1840 EP PRIVILEGE, MT 1840 PRIVILEGE
44	552457	Male connector		1		MT 1840 EP PRIVILEGE, MT 1840 PRIVILEGE
45	551942	Female Cable Terminal		2		MT 1840 EP PRIVILEGE, MT 1840 PRIVILEGE
46	290604	Manipulator		1		MT 1840 EP PRIVILEGE, MT 1840 PRIVILEGE
47	290606	Manipulator JSM		1		MT 1840 EP PRIVILEGE, MT 1840 PRIVILEGE
48	290604	Manipulator		1		MT 1840 EP PRIVILEGE, MT 1840 PRIVILEGE

Item	Part No.	Name	Characteristics	Qty	Superseded PartNumber	Product Type
49	290606	Manipulator JSM		1		MT 1840 EP PRIVILEGE, MT 1840 PRIVILEGE

_CIRCUIT - HARNESS

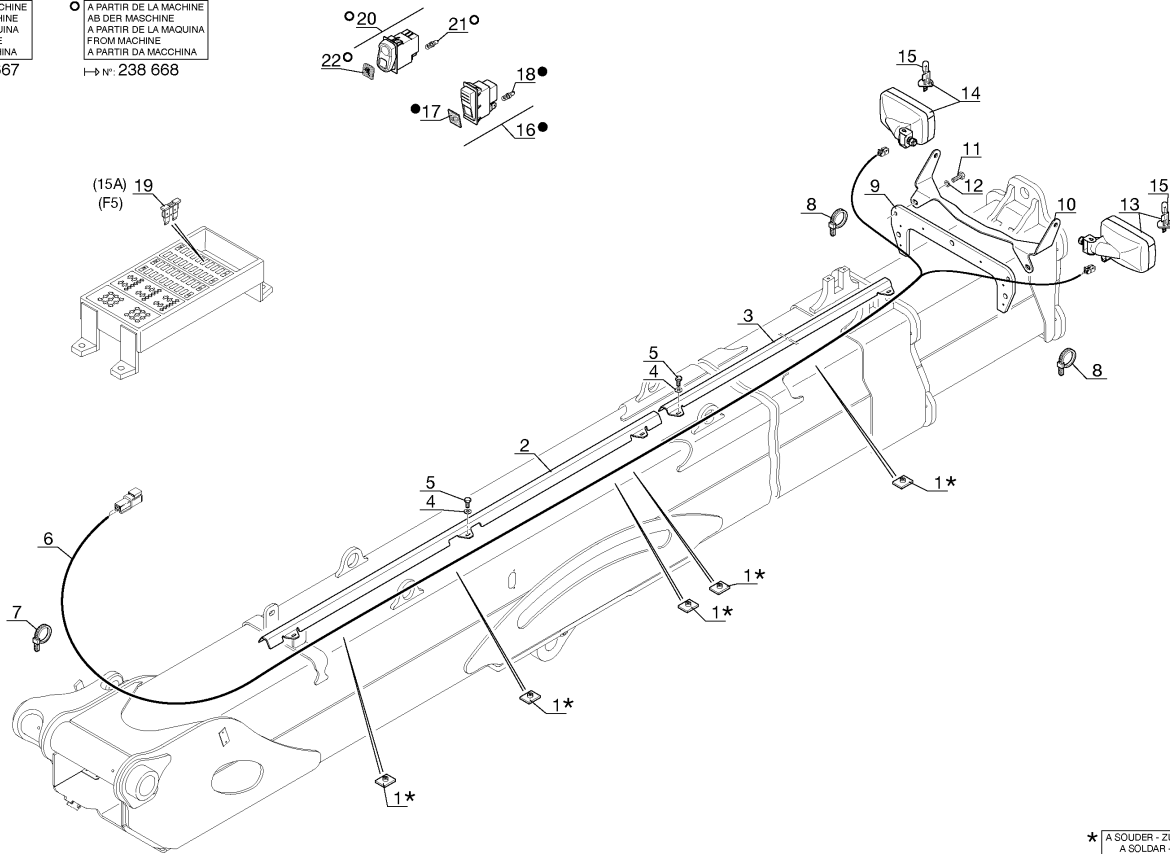
11 BA 95

ELECTRICITE (Phare de travail sur flèche)
 ELEKTRIZITÄT (Arbeiten scheinwerfer auf ausleger)
 ELECTRICIDAD (Faro de trabajo en aguilon)
 ELECTICITY (Working headlight on jib)
 ELETTRICITA (Fari di lavoro sul braccio)

MT 1440 PRIVILEGE
 MT 1440 EP PRIVILEGE
 MT 1440 A PRIVILEGE
 MT 1840 PRIVILEGE
 MT 1840 EP PRIVILEGE
 MT 1840 A PRIVILEGE

● JUSQU'A LA MACHINE
 BIS DER MASCHINE
 HASTA LA MAQUINA
 UP TO MACHINE
 FINO LA MACCHINA
 → N° 238 667

○ A PARTIR DE LA MACHINE
 AB DER MASCHINE
 A PARTIR DE LA MAQUINA
 FROM MACHINE
 A PARTIR DA MACCHINA
 → N° 238 668



★ A SOUDER - ZU SCHEISSEN
 A SOLDER - TO WELD
 A SALDARE

11 / 04 / 07

P.A.C. Illus

Item	Part No.	Name	Characteristics	Qty	Superseded PartNumber	Product Type
0	264203	Working headlight kit on jib		1		MT 1840 EP PRIVILEGE, MT 1440 A PRIVILEGE, MT 1440 PRIVILEGE, MT 1840 A PRIVILEGE, MT 1840 PRIVILEGE, MT 1440 EP PRIVILEGE
0	750769	Working light kit on boom		1		MT 1840 EP PRIVILEGE, MT 1440 A PRIVILEGE, MT 1440 PRIVILEGE, MT 1840 A PRIVILEGE, MT 1840 PRIVILEGE, MT 1440 EP PRIVILEGE
1	168848	Mounting plate		5		MT 1840 EP PRIVILEGE, MT 1440 A PRIVILEGE, MT 1440 PRIVILEGE, MT 1840 A PRIVILEGE, MT 1840 PRIVILEGE, MT 1440 EP PRIVILEGE
2	264238	Gutter		1		MT 1840 EP PRIVILEGE, MT 1440 A PRIVILEGE, MT 1440 PRIVILEGE, MT 1840 A PRIVILEGE, MT 1840 PRIVILEGE, MT 1440 EP PRIVILEGE
3	264237	Front gutter		1		MT 1840 EP PRIVILEGE, MT 1440 A PRIVILEGE, MT 1440 PRIVILEGE, MT 1840 A PRIVILEGE, MT 1840 PRIVILEGE, MT 1440 EP PRIVILEGE
4	29469	Washer	M6	5		MT 1840 EP PRIVILEGE, MT 1440 A PRIVILEGE, MT 1440 PRIVILEGE, MT 1840 A PRIVILEGE, MT 1840 PRIVILEGE, MT 1440 EP PRIVILEGE
5	50896	Screw	HM6	5		MT 1840 EP PRIVILEGE, MT 1440 A PRIVILEGE, MT 1440 PRIVILEGE, MT 1840 A PRIVILEGE, MT 1840 PRIVILEGE, MT 1440 EP PRIVILEGE
6	264194	Wiring harness		1		MT 1840 EP PRIVILEGE, MT 1440 A PRIVILEGE, MT 1440 PRIVILEGE, MT 1840 A PRIVILEGE, MT 1840 PRIVILEGE, MT 1440 EP PRIVILEGE
7	21979	Clamp		6		MT 1840 EP PRIVILEGE, MT 1440 A PRIVILEGE, MT 1440 PRIVILEGE, MT 1840 A PRIVILEGE, MT 1840 PRIVILEGE, MT 1440 EP PRIVILEGE
8	164856	Clamp		2		MT 1840 EP PRIVILEGE, MT 1440 A PRIVILEGE, MT 1440 PRIVILEGE, MT 1840 A PRIVILEGE, MT 1840 PRIVILEGE, MT 1440 EP PRIVILEGE
9	264225	Fastening lug		1		MT 1840 EP PRIVILEGE, MT 1440 A PRIVILEGE, MT 1440 PRIVILEGE, MT 1840 A PRIVILEGE, MT 1840 PRIVILEGE, MT 1440 EP PRIVILEGE
10	52500307	Working light support		1		MT 1840 EP PRIVILEGE, MT 1440 A PRIVILEGE, MT 1440 PRIVILEGE, MT 1840 A PRIVILEGE, MT 1840 PRIVILEGE, MT 1440 EP PRIVILEGE
11	60360	Screw	HM10	2		MT 1840 EP PRIVILEGE, MT 1440 A PRIVILEGE, MT 1440 PRIVILEGE, MT 1840 A PRIVILEGE, MT 1840 PRIVILEGE, MT 1440 EP PRIVILEGE
12	42232	Washer		2		MT 1840 EP PRIVILEGE, MT 1440 A PRIVILEGE, MT 1440 PRIVILEGE, MT 1840 A PRIVILEGE, MT 1840 PRIVILEGE, MT 1440 EP PRIVILEGE
13	241360	Front working light		1		MT 1840 EP PRIVILEGE, MT 1440 A PRIVILEGE, MT 1440 PRIVILEGE, MT 1840 A PRIVILEGE, MT 1840 PRIVILEGE, MT 1440 EP PRIVILEGE
14	241361	Front working light	1 FIXATION PAR VIS ; 2 CONTACTS ; 1 ARTICULATION	1		MT 1840 EP PRIVILEGE, MT 1440 A PRIVILEGE, MT 1440 PRIVILEGE, MT 1840 A PRIVILEGE, MT 1840 PRIVILEGE, MT 1440 EP PRIVILEGE

Item	Part No.	Name	Characteristics	Qty	Superseded PartNumber	Product Type
15	164378	Bulb	H3 12V 55W	1		MT 1840 EP PRIVILEGE, MT 1440 A PRIVILEGE, MT 1440 PRIVILEGE, MT 1840 A PRIVILEGE, MT 1840 PRIVILEGE, MT 1440 EP PRIVILEGE
16	235672	Lighting equipment switch		1		MT 1840 EP PRIVILEGE, MT 1440 A PRIVILEGE, MT 1440 PRIVILEGE, MT 1840 A PRIVILEGE, MT 1840 PRIVILEGE, MT 1440 EP PRIVILEGE
17	702146	Lens		1	672134	MT 1840 EP PRIVILEGE, MT 1440 A PRIVILEGE, MT 1440 PRIVILEGE, MT 1840 A PRIVILEGE, MT 1840 PRIVILEGE, MT 1440 EP PRIVILEGE
18	170836	Bulb		1		MT 1840 EP PRIVILEGE, MT 1440 A PRIVILEGE, MT 1440 PRIVILEGE, MT 1840 A PRIVILEGE, MT 1840 PRIVILEGE, MT 1440 EP PRIVILEGE
19	225187	Fuse 15A	15A	1		MT 1840 EP PRIVILEGE, MT 1440 A PRIVILEGE, MT 1440 PRIVILEGE, MT 1840 A PRIVILEGE, MT 1840 PRIVILEGE, MT 1440 EP PRIVILEGE
20	266245	Switch		1		MT 1840 EP PRIVILEGE, MT 1440 A PRIVILEGE, MT 1440 PRIVILEGE, MT 1840 A PRIVILEGE, MT 1840 PRIVILEGE, MT 1440 EP PRIVILEGE
21	170836	Bulb		1		MT 1840 EP PRIVILEGE, MT 1440 A PRIVILEGE, MT 1440 PRIVILEGE, MT 1840 A PRIVILEGE, MT 1840 PRIVILEGE, MT 1440 EP PRIVILEGE
22	747017	Lens		1		MT 1840 EP PRIVILEGE, MT 1440 A PRIVILEGE, MT 1440 PRIVILEGE, MT 1840 A PRIVILEGE, MT 1840 PRIVILEGE, MT 1440 EP PRIVILEGE

_CIRCUIT - HARNESS

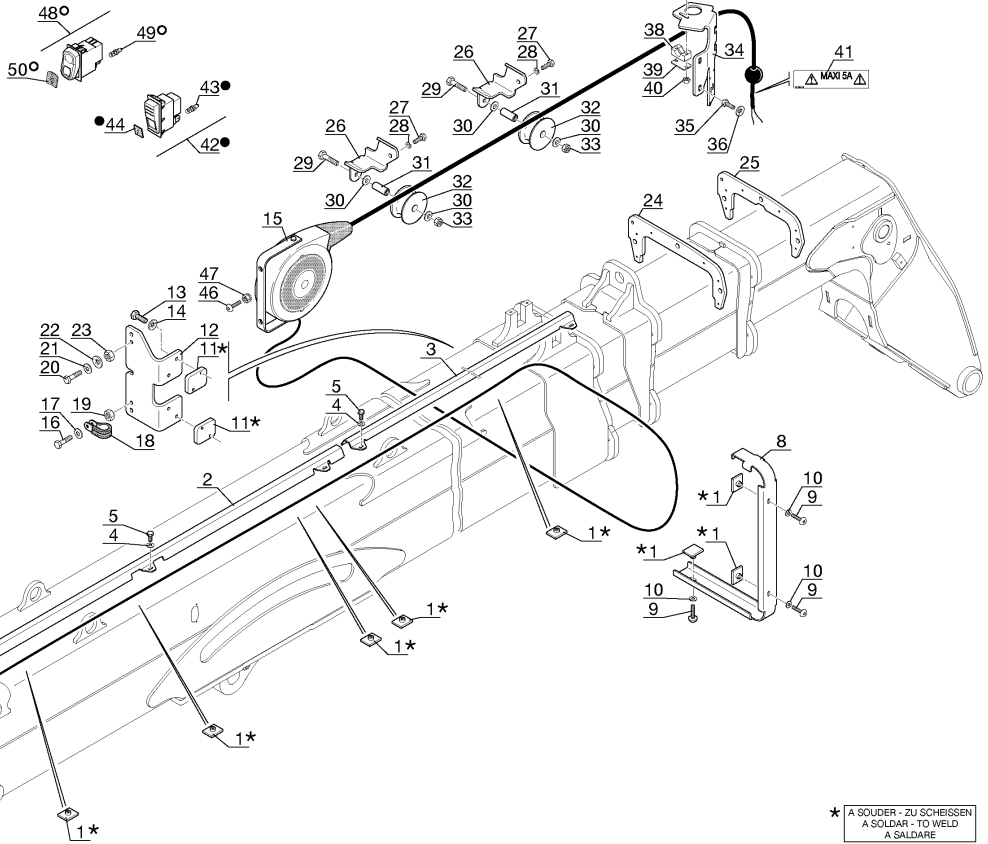
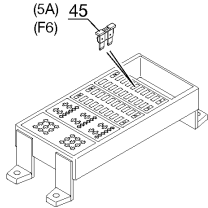
11 BA 97

ELECTRICITE (Prédisposition électrique sur flèche)
ELEKTRIZITÄT (Elektrisch anlage auf ausleger)
ELECTRICIDAD (Predisposición electrico aguilon)
ELECTICITY (Electrical pre-fitting jib)
ELETRICITA (Predisposizione elettrica su braccio)

MT 1840 PRIVILEGE
MT 1840 EP PRIVILEGE

● JUSQU'A LA MACHINE
BIS DER MASCHINE
HASTA LA MAQUINA
L'PTO LA MACHINE
FINO LA MACCHINA
→ N°: 238 667

○ A PARTIR DE LA MACHINE
AB DER MASCHINE
A PARTIR DE LA MAQUINA
FROM MACHINE
A PARTIR DA MACCHINA
→ N°: 238 668



Item	Part No.	Name	Characteristics	Qty	Superseded PartNumber	Product Type
0	750771	Electrical pre-fitting jib		1		MT 1840 EP PRIVILEGE, MT 1840 PRIVILEGE
0	750771OPT	KIT		1	264276	MT 1840 EP PRIVILEGE, MT 1840 PRIVILEGE
1	168848	Mounting plate		8		MT 1840 EP PRIVILEGE, MT 1840 PRIVILEGE
2	264238	Gutter		1		MT 1840 EP PRIVILEGE, MT 1840 PRIVILEGE
3	264237	Front gutter		1		MT 1840 EP PRIVILEGE, MT 1840 PRIVILEGE
4	29469	Washer	M6	5		MT 1840 EP PRIVILEGE, MT 1840 PRIVILEGE
5	50896	Screw	HM6	5		MT 1840 EP PRIVILEGE, MT 1840 PRIVILEGE
6	264279	Wiring harness		1		MT 1840 EP PRIVILEGE, MT 1840 PRIVILEGE
7	21979	Clamp		6		MT 1840 EP PRIVILEGE, MT 1840 PRIVILEGE
8	264272	Side drain gutter		1		MT 1840 EP PRIVILEGE, MT 1840 PRIVILEGE
9	228244	Screw	M6	3		MT 1840 EP PRIVILEGE, MT 1840 PRIVILEGE
10	189857	Washer	M6	3		MT 1840 EP PRIVILEGE, MT 1840 PRIVILEGE
11	264266	Mounting plate		2		MT 1840 EP PRIVILEGE, MT 1840 PRIVILEGE
12	243077	Support		1		MT 1840 EP PRIVILEGE, MT 1840 PRIVILEGE
13	54951	Screw	HM8	4		MT 1840 EP PRIVILEGE, MT 1840 PRIVILEGE
14	63351	Washer	M8	4		MT 1840 EP PRIVILEGE, MT 1840 PRIVILEGE
15	221605	Hose reel		1		MT 1840 EP PRIVILEGE, MT 1840 PRIVILEGE
16	63754	Screw	HM8	1		MT 1840 EP PRIVILEGE, MT 1840 PRIVILEGE
17	29468	Washer	L8	1		MT 1840 EP PRIVILEGE, MT 1840 PRIVILEGE
18	249209	Clamp		1		MT 1840 EP PRIVILEGE, MT 1840 PRIVILEGE
19	58528	Nut	M8	1		MT 1840 EP PRIVILEGE, MT 1840 PRIVILEGE
20	57446	Screw	HM8	1		MT 1840 EP PRIVILEGE, MT 1840 PRIVILEGE
21	29468	Washer	L8	1		MT 1840 EP PRIVILEGE, MT 1840 PRIVILEGE
22	63351	Washer	M8	1		MT 1840 EP PRIVILEGE, MT 1840 PRIVILEGE
23	58528	Nut	M8	1		MT 1840 EP PRIVILEGE, MT 1840 PRIVILEGE
24	264246	Fastening lug		1		MT 1840 EP PRIVILEGE, MT 1840 PRIVILEGE

Item	Part No.	Name	Characteristics	Qty	Superseded PartNumber	Product Type
25	264247	Fastening lug		1		MT 1840 EP PRIVILEGE, MT 1840 PRIVILEGE
26	264264	Bracket pulley		2		MT 1840 EP PRIVILEGE, MT 1840 PRIVILEGE
27	60360	Screw	HM10	2		MT 1840 EP PRIVILEGE, MT 1840 PRIVILEGE
28	42232	Washer		2		MT 1840 EP PRIVILEGE, MT 1840 PRIVILEGE
29	58538	Screw	HM10	2		MT 1840 EP PRIVILEGE, MT 1840 PRIVILEGE
30	61675	Washer	L10	4		MT 1840 EP PRIVILEGE, MT 1840 PRIVILEGE
31	242853	spacer		2		MT 1840 EP PRIVILEGE, MT 1840 PRIVILEGE
32	182211	Pulley		2		MT 1840 EP PRIVILEGE, MT 1840 PRIVILEGE
33	55714	Nut	M10	2		MT 1840 EP PRIVILEGE, MT 1840 PRIVILEGE
34	264267	Connector bracket		1		MT 1840 EP PRIVILEGE, MT 1840 PRIVILEGE
35	54951	Screw	HM8	2		MT 1840 EP PRIVILEGE, MT 1840 PRIVILEGE
36	63351	Washer	M8	2		MT 1840 EP PRIVILEGE, MT 1840 PRIVILEGE
37	54305	Screw	HM6	2		MT 1840 EP PRIVILEGE, MT 1840 PRIVILEGE
38	168487	Half clamp		1		MT 1840 EP PRIVILEGE, MT 1840 PRIVILEGE
39	168490	Protection plate		1		MT 1840 EP PRIVILEGE, MT 1840 PRIVILEGE
40	25714	Nut	M6	2		MT 1840 EP PRIVILEGE, MT 1840 PRIVILEGE
41	264476	Sticker (max intensity)	5A	1		MT 1840 EP PRIVILEGE, MT 1840 PRIVILEGE
42	264288	Switch		1		MT 1840 EP PRIVILEGE, MT 1840 PRIVILEGE
43	170836	Bulb		1		MT 1840 EP PRIVILEGE, MT 1840 PRIVILEGE
44	745794	Lens		1		MT 1840 EP PRIVILEGE, MT 1840 PRIVILEGE
45	225184	Fuse 5A	5A	1		MT 1840 EP PRIVILEGE, MT 1840 PRIVILEGE
46	196951	Screw	M6	1		MT 1840 EP PRIVILEGE, MT 1840 PRIVILEGE
47	162229	Nut	M6	1		MT 1840 EP PRIVILEGE, MT 1840 PRIVILEGE
48	266249	Boom electrical predisposition switch		1		MT 1840 EP PRIVILEGE, MT 1840 PRIVILEGE
49	170836	Bulb		1		MT 1840 EP PRIVILEGE, MT 1840 PRIVILEGE
50	747016	Lens		1		MT 1840 EP PRIVILEGE, MT 1840 PRIVILEGE

11 CB 755

PHARE DE TRAVAIL ARRIERE
HINTEN ARBEITEN SCHEINWERFER
FARO DE TRABAJO TRASERO
REAR WORKING HEADLIGHT
FARO DI LAVORO POSTERIORE

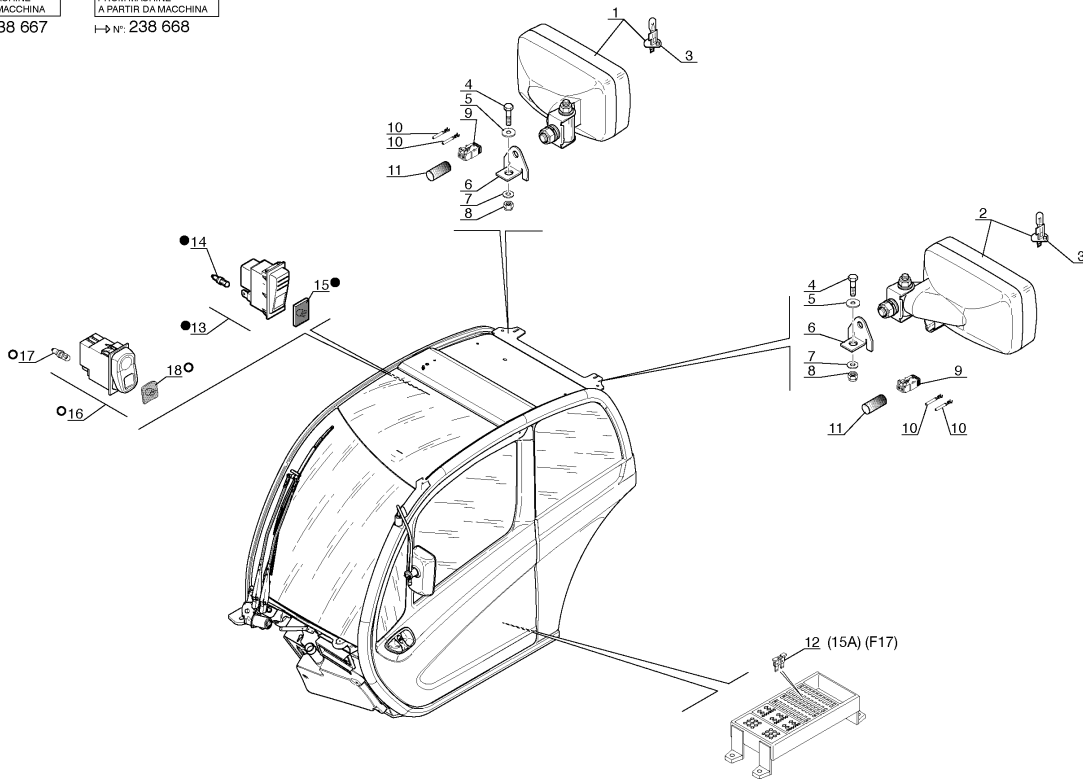
MT 1440 PRIVILEGE
MT 1440 EP PRIVILEGE
MT 1440 A PRIVILEGE
MT 1840 PRIVILEGE
MT 1840 EP PRIVILEGE
MT 1840 A PRIVILEGE

● JUSQU'A LA MACHINE
BIS DER MASCHINE
HASTA LA MACCHINA
UP TO MACHINE
FINO LA MACCHINA

→ N°: 238 667

○ A PARTIR DE LA MACHINE
AB DER MASCHINE
A PARTIR DE LA MACCHINA
FROM MACHINE
A PARTIR DA MACCHINA

→ N°: 238 668



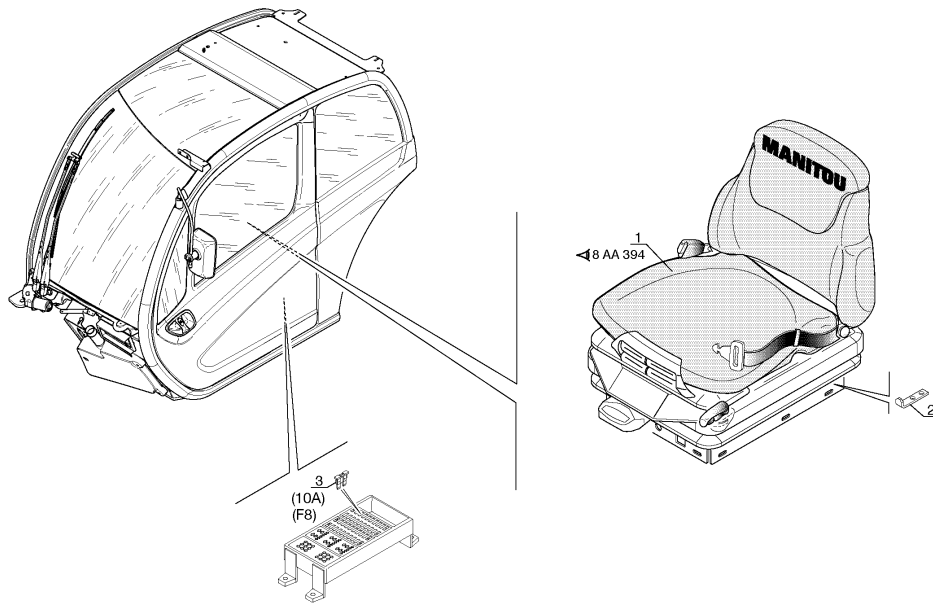
Item	Part No.	Name	Characteristics	Qty	Superseded PartNumber	Product Type
0	728687	Rear working headlight kit		1	260810	MT 1840 EP PRIVILEGE, MT 1440 A PRIVILEGE, MT 1440 PRIVILEGE, MT 1840 A PRIVILEGE, MT 1840 PRIVILEGE, MT 1440 EP PRIVILEGE
0	728687OPT	WORKING HEADLIGHT		1	260810	MT 1840 EP PRIVILEGE, MT 1440 A PRIVILEGE, MT 1440 PRIVILEGE, MT 1840 A PRIVILEGE, MT 1840 PRIVILEGE, MT 1440 EP PRIVILEGE
1	241361	Front working light	1 FIXATION PAR VIS ; 2 CONTACTS ; 1 ARTICULATION	1		MT 1840 EP PRIVILEGE, MT 1440 A PRIVILEGE, MT 1440 PRIVILEGE, MT 1840 A PRIVILEGE, MT 1840 PRIVILEGE, MT 1440 EP PRIVILEGE
2	241360	Front working light		1		MT 1840 EP PRIVILEGE, MT 1440 A PRIVILEGE, MT 1440 PRIVILEGE, MT 1840 A PRIVILEGE, MT 1840 PRIVILEGE, MT 1440 EP PRIVILEGE
3	164378	Bulb	H3 12V 55W	1		MT 1840 EP PRIVILEGE, MT 1440 A PRIVILEGE, MT 1440 PRIVILEGE, MT 1840 A PRIVILEGE, MT 1840 PRIVILEGE, MT 1440 EP PRIVILEGE
4	57446	Screw	HM8	2		MT 1840 EP PRIVILEGE, MT 1440 A PRIVILEGE, MT 1440 PRIVILEGE, MT 1840 A PRIVILEGE, MT 1840 PRIVILEGE, MT 1440 EP PRIVILEGE
5	29468	Washer	L8	2		MT 1840 EP PRIVILEGE, MT 1440 A PRIVILEGE, MT 1440 PRIVILEGE, MT 1840 A PRIVILEGE, MT 1840 PRIVILEGE, MT 1440 EP PRIVILEGE
6	225925	Working headlight bracket		2		MT 1840 EP PRIVILEGE, MT 1440 A PRIVILEGE, MT 1440 PRIVILEGE, MT 1840 A PRIVILEGE, MT 1840 PRIVILEGE, MT 1440 EP PRIVILEGE
7	61674	Washer	M8	2		MT 1840 EP PRIVILEGE, MT 1440 A PRIVILEGE, MT 1440 PRIVILEGE, MT 1840 A PRIVILEGE, MT 1840 PRIVILEGE, MT 1440 EP PRIVILEGE
8	54242	Nut	M8	2		MT 1840 EP PRIVILEGE, MT 1440 A PRIVILEGE, MT 1440 PRIVILEGE, MT 1840 A PRIVILEGE, MT 1840 PRIVILEGE, MT 1440 EP PRIVILEGE
9	552457	Male connector		2		MT 1840 EP PRIVILEGE, MT 1440 A PRIVILEGE, MT 1440 PRIVILEGE, MT 1840 A PRIVILEGE, MT 1840 PRIVILEGE, MT 1440 EP PRIVILEGE
10	551942	Female Cable Terminal		4		MT 1840 EP PRIVILEGE, MT 1440 A PRIVILEGE, MT 1440 PRIVILEGE, MT 1840 A PRIVILEGE, MT 1840 PRIVILEGE, MT 1440 EP PRIVILEGE
11	228735	Heat-shrinkable sheath		2		MT 1840 EP PRIVILEGE, MT 1440 A PRIVILEGE, MT 1440 PRIVILEGE, MT 1840 A PRIVILEGE, MT 1840 PRIVILEGE, MT 1440 EP PRIVILEGE
12	225187	Fuse 15A	15A	1		MT 1840 EP PRIVILEGE, MT 1440 A PRIVILEGE, MT 1440 PRIVILEGE, MT 1840 A PRIVILEGE, MT 1840 PRIVILEGE, MT 1440 EP PRIVILEGE
13	224931	Rear working headlight switch	4 CONTACTS	1		MT 1840 EP PRIVILEGE, MT 1440 A PRIVILEGE, MT 1440 PRIVILEGE, MT 1840 A PRIVILEGE, MT 1840 PRIVILEGE, MT 1440 EP PRIVILEGE
14	170836	Bulb		1		MT 1840 EP PRIVILEGE, MT 1440 A PRIVILEGE, MT 1440 PRIVILEGE, MT 1840 A PRIVILEGE, MT 1840 PRIVILEGE, MT 1440 EP PRIVILEGE

Item	Part No.	Name	Characteristics	Qty	Superseded PartNumber	Product Type
15	563802	Lens		1		MT 1840 EP PRIVILEGE, MT 1440 A PRIVILEGE, MT 1440 PRIVILEGE, MT 1840 A PRIVILEGE, MT 1840 PRIVILEGE, MT 1440 EP PRIVILEGE
16	266244	Working light switch		1		MT 1840 EP PRIVILEGE, MT 1440 A PRIVILEGE, MT 1440 PRIVILEGE, MT 1840 A PRIVILEGE, MT 1840 PRIVILEGE, MT 1440 EP PRIVILEGE
17	170836	Bulb		1		MT 1840 EP PRIVILEGE, MT 1440 A PRIVILEGE, MT 1440 PRIVILEGE, MT 1840 A PRIVILEGE, MT 1840 PRIVILEGE, MT 1440 EP PRIVILEGE
18	747019	Lens		1		MT 1840 EP PRIVILEGE, MT 1440 A PRIVILEGE, MT 1440 PRIVILEGE, MT 1840 A PRIVILEGE, MT 1840 PRIVILEGE, MT 1440 EP PRIVILEGE

8 AA 495

ADAPTATION SIEGE PNEUMATIQUE
LUFTSITZ ANPASSUNG
ADAPTACION ASIENTO NEUMATICO
PNEUMATIC SEAT ADAPTATION
ADATTAMENTO SEDILE PNEUMATICO

MT 1440 PRIVILEGE
MT 1840 PRIVILEGE



09 / 02 / 07

P. A. O. Illus

Item	Part No.	Name	Characteristics	Qty	Superseded PartNumber	Product Type
0	750795OPT	SEAT (CAB)		1	264673, 264686	MT 1440 PRIVILEGE, MT 1840 PRIVILEGE
0	750797	Pneumatic seat kit		1		MT 1440 PRIVILEGE, MT 1840 PRIVILEGE
1	252999	Complete pneumatic seat		1		MT 1440 PRIVILEGE, MT 1840 PRIVILEGE
2	261148	Stop		1		MT 1440 PRIVILEGE, MT 1840 PRIVILEGE
3	225186	Fuse 10A	10A	1		MT 1440 PRIVILEGE, MT 1840 PRIVILEGE

8 AA 497

ADAPTATION CLIMATISATION
KLIMAALAGE ANPASSUNG
ADAPTACION CLIMATIZACION
AIR CONDITIONING ADAPTATION
ADATTAMENTO CLIMATIZZAZIONE

MT 1440 PRIVILEGE
MT 1440 EP PRIVILEGE
MT 1440 A PRIVILEGE
MT 1840 PRIVILEGE
MT 1840 EP PRIVILEGE
MT 1840 A PRIVILEGE

■ SEULEMENT POUR - NUR FÜR
SOLAMENTE PARA - ONLY FOR - SOLO PER

□ MT 1440 A PRIVILEGE
MT 1840 A PRIVILEGE

□ SEULEMENT POUR - NUR FÜR
SOLAMENTE PARA - ONLY FOR - SOLO PER

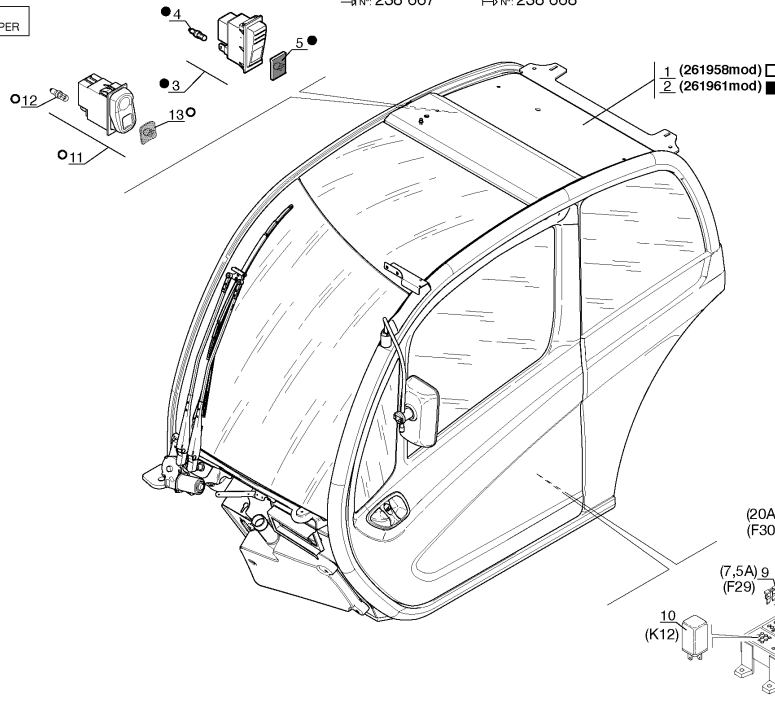
□ MT 1440 PRIVILEGE
MT 1440 EP PRIVILEGE
MT 1840 PRIVILEGE
MT 1840 EP PRIVILEGE

● JUSQU'À LA MACHINE
BIS DER MASCHINE
HASTA LA MÁQUINA
UP TO MACHINE
FINO LA MACCHINA

→ N°: 238 667

○ À PARTIR DE LA MACHINE
AB DER MASCHINE
A PARTIR DE LA MÁQUINA
FROM MACHINE
A PARTIR DA MACCHINA

→ N°: 238 668



1 (261958mod) □
2 (261961mod) ■

P. A. O. Illus

28 / 04 / 08

Item	Part No.	Name	Characteristics	Qty	Superseded PartNumber	Product Type
0	750787	Air-conditioning kit		1		MT 1840 EP PRIVILEGE, MT 1440 A PRIVILEGE, MT 1440 PRIVILEGE, MT 1840 A PRIVILEGE, MT 1840 PRIVILEGE, MT 1440 EP PRIVILEGE
0	750788	Air-conditioning kit		1		MT 1840 EP PRIVILEGE, MT 1440 A PRIVILEGE, MT 1440 PRIVILEGE, MT 1840 A PRIVILEGE, MT 1840 PRIVILEGE, MT 1440 EP PRIVILEGE
1	308233	Cab with air-conditioning		1	299911	MT 1840 EP PRIVILEGE, MT 1440 A PRIVILEGE, MT 1440 PRIVILEGE, MT 1840 A PRIVILEGE, MT 1840 PRIVILEGE, MT 1440 EP PRIVILEGE
2	308233	Cab with air-conditioning		1	299911	MT 1840 EP PRIVILEGE, MT 1440 A PRIVILEGE, MT 1440 PRIVILEGE, MT 1840 A PRIVILEGE, MT 1840 PRIVILEGE, MT 1440 EP PRIVILEGE
3	224931	Rear working headlight switch	4 CONTACTS	1		MT 1840 EP PRIVILEGE, MT 1440 A PRIVILEGE, MT 1440 PRIVILEGE, MT 1840 A PRIVILEGE, MT 1840 PRIVILEGE, MT 1440 EP PRIVILEGE
4	170836	Bulb		1		MT 1840 EP PRIVILEGE, MT 1440 A PRIVILEGE, MT 1440 PRIVILEGE, MT 1840 A PRIVILEGE, MT 1840 PRIVILEGE, MT 1440 EP PRIVILEGE
5	563802	Lens		1		MT 1840 EP PRIVILEGE, MT 1440 A PRIVILEGE, MT 1440 PRIVILEGE, MT 1840 A PRIVILEGE, MT 1840 PRIVILEGE, MT 1440 EP PRIVILEGE
6	225183	Relay		1		MT 1840 EP PRIVILEGE, MT 1440 A PRIVILEGE, MT 1440 PRIVILEGE, MT 1840 A PRIVILEGE, MT 1840 PRIVILEGE, MT 1440 EP PRIVILEGE
7	225183	Relay		1		MT 1840 EP PRIVILEGE, MT 1440 A PRIVILEGE, MT 1440 PRIVILEGE, MT 1840 A PRIVILEGE, MT 1840 PRIVILEGE, MT 1440 EP PRIVILEGE
8	225187	Fuse 15A	15A	1		MT 1840 EP PRIVILEGE, MT 1440 A PRIVILEGE, MT 1440 PRIVILEGE, MT 1840 A PRIVILEGE, MT 1840 PRIVILEGE, MT 1440 EP PRIVILEGE
9	225185	Fuse 7.5A	7,5A	1		MT 1840 EP PRIVILEGE, MT 1440 A PRIVILEGE, MT 1440 PRIVILEGE, MT 1840 A PRIVILEGE, MT 1840 PRIVILEGE, MT 1440 EP PRIVILEGE
10	706089	Relay		1		MT 1840 EP PRIVILEGE, MT 1440 A PRIVILEGE, MT 1440 PRIVILEGE, MT 1840 A PRIVILEGE, MT 1840 PRIVILEGE, MT 1440 EP PRIVILEGE
11	266244	Working light switch		1		MT 1840 EP PRIVILEGE, MT 1440 A PRIVILEGE, MT 1440 PRIVILEGE, MT 1840 A PRIVILEGE, MT 1840 PRIVILEGE, MT 1440 EP PRIVILEGE
12	170836	Bulb		1		MT 1840 EP PRIVILEGE, MT 1440 A PRIVILEGE, MT 1440 PRIVILEGE, MT 1840 A PRIVILEGE, MT 1840 PRIVILEGE, MT 1440 EP PRIVILEGE
13	747019	Lens		1		MT 1840 EP PRIVILEGE, MT 1440 A PRIVILEGE, MT 1440 PRIVILEGE, MT 1840 A PRIVILEGE, MT 1840 PRIVILEGE, MT 1440 EP PRIVILEGE
14	250431	Fuse 20A	20A	1		MT 1840 EP PRIVILEGE, MT 1440 A PRIVILEGE, MT 1440 PRIVILEGE, MT 1840 A PRIVILEGE, MT 1840 PRIVILEGE, MT 1440 EP PRIVILEGE

11 CB728

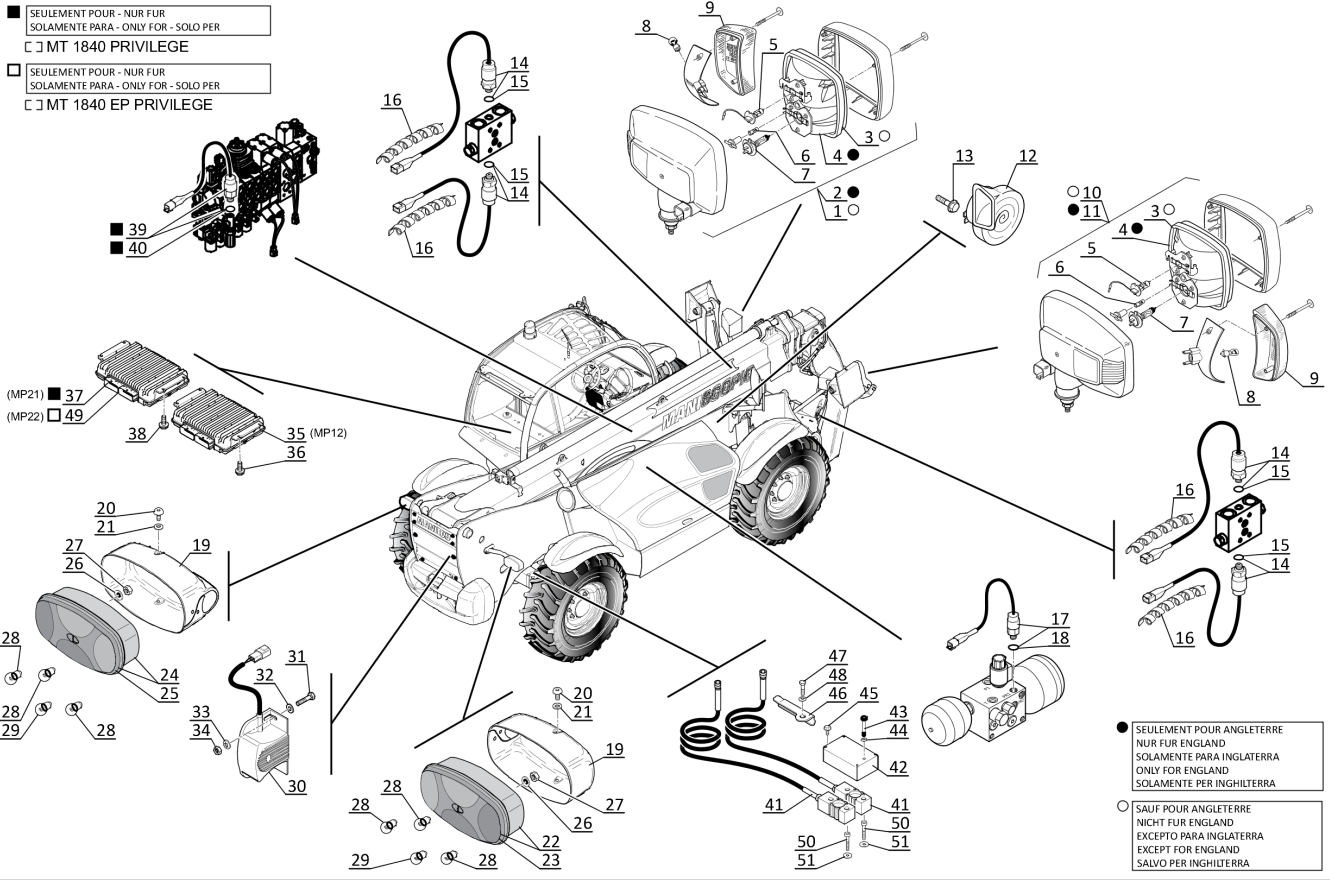
JUSQU'A LA MACHINE
BIS DER MASCHINE
HASTA LA MAQUINA
UP TO MACHINE
FINO LA MACCHINA

→ N°: 249 701

ELECTRICITE (Détails)
ELEKTIZITÄT (Einzelheiten)
ELECTRICIDAD (Detalles)
ELECTRICITY (Details)
ELETRICO (Dettaglio)

MT 1840 PRIVILEGE
MT 1840 EP PRIVILEGE

- SEULEMENT POUR - NUR FÜR
SOLAMENTE PARA - ONLY FOR - SOLO PER
C J MT 1840 PRIVILEGE
- SEULEMENT POUR - NUR FÜR
SOLAMENTE PARA - ONLY FOR - SOLO PER
C J MT 1840 EP PRIVILEGE



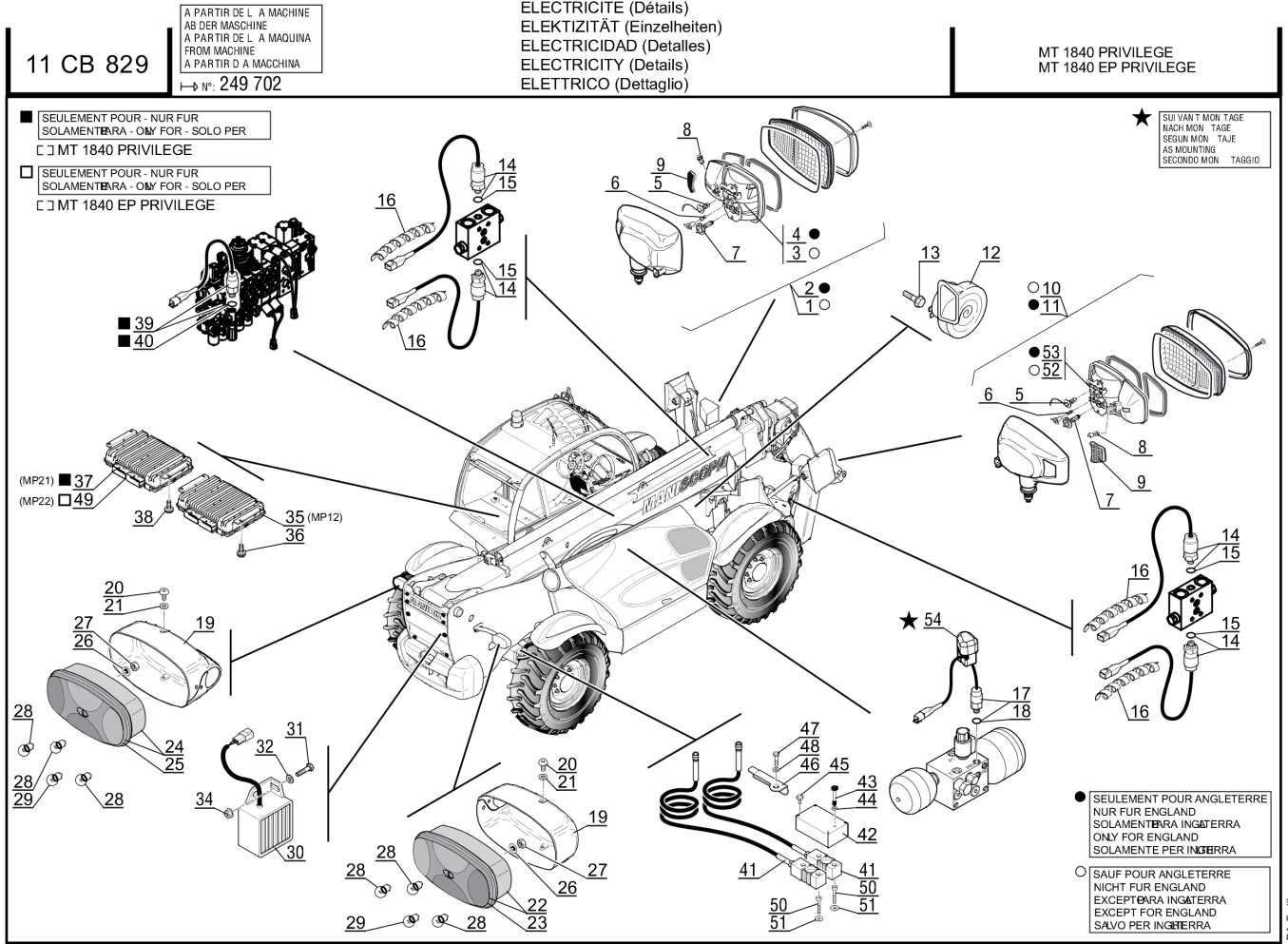
- SEULEMENT POUR ANGLETERRE
NUR FÜR ENGLAND
SOLAMENTE PARA INGLATERRA
ONLY FOR ENGLAND
SOLAMENTE PER INGHILTERRA
- SAUF POUR ANGLETERRE
NICHT FÜR ENGLAND
EXCEPTO PARA INGLATERRA
EXCEPT FOR ENGLAND
SALVO PER INGHILTERRA

P.A.O. Illus

Item	Part No.	Name	Characteristics	Qty	Superseded PartNumber	Product Type
1	224581	Complete left-hand front headlight		1		MT 1840 EP PRIVILEGE, MT 1058 EP PRIVILEGE, MT 1058 PRIVILEGE, MT 1840 PRIVILEGE
2	224583	Complete left-hand front headlight		1		MT 1840 EP PRIVILEGE, MT 1058 EP PRIVILEGE, MT 1058 PRIVILEGE, MT 1840 PRIVILEGE
3	564741	Front headlight		2		MT 1840 EP PRIVILEGE, MT 1058 EP PRIVILEGE, MT 1058 PRIVILEGE, MT 1840 PRIVILEGE
4	564742	Front headlight		2		MT 1840 EP PRIVILEGE, MT 1058 EP PRIVILEGE, MT 1058 PRIVILEGE, MT 1840 PRIVILEGE
5	164378	Bulb	H3 12V 55W	2		MT 1840 EP PRIVILEGE, MT 1058 EP PRIVILEGE, MT 1058 PRIVILEGE, MT 1840 PRIVILEGE
6	20996	Bulb	12V 4W	2		MT 1840 EP PRIVILEGE, MT 1058 EP PRIVILEGE, MT 1058 PRIVILEGE, MT 1840 PRIVILEGE
7	563881	High beam headlight bulb		2		MT 1840 EP PRIVILEGE, MT 1058 EP PRIVILEGE, MT 1058 PRIVILEGE, MT 1840 PRIVILEGE
8	675	bulb	12V 21W	2		MT 1840 EP PRIVILEGE, MT 1058 EP PRIVILEGE, MT 1058 PRIVILEGE, MT 1840 PRIVILEGE
9	564743	Front direction lights		2		MT 1840 EP PRIVILEGE, MT 1058 EP PRIVILEGE, MT 1058 PRIVILEGE, MT 1840 PRIVILEGE
10	224580	Complete right-hand front headlight		1		MT 1840 EP PRIVILEGE, MT 1058 EP PRIVILEGE, MT 1058 PRIVILEGE, MT 1840 PRIVILEGE
11	224582	Complete right-hand front headlight		1		MT 1840 EP PRIVILEGE, MT 1058 EP PRIVILEGE, MT 1058 PRIVILEGE, MT 1840 PRIVILEGE
12	20125	Horn		1		MT 1840 EP PRIVILEGE, MT 1058 EP PRIVILEGE, MT 1058 PRIVILEGE, MT 1840 PRIVILEGE
13	259946	Screw	M8	1		MT 1840 EP PRIVILEGE, MT 1058 EP PRIVILEGE, MT 1058 PRIVILEGE, MT 1840 PRIVILEGE
14	257269	Pressure switch		4		MT 1840 EP PRIVILEGE, MT 1058 EP PRIVILEGE, MT 1058 PRIVILEGE, MT 1840 PRIVILEGE
15	177588	O ring		1		MT 1840 EP PRIVILEGE, MT 1058 EP PRIVILEGE, MT 1058 PRIVILEGE, MT 1840 PRIVILEGE
16	224438	Spiral sheath		4		MT 1840 EP PRIVILEGE, MT 1058 EP PRIVILEGE, MT 1058 PRIVILEGE, MT 1840 PRIVILEGE
17	264195	Pressure switch		1		MT 1840 EP PRIVILEGE, MT 1058 EP PRIVILEGE, MT 1058 PRIVILEGE, MT 1840 PRIVILEGE
18	604975	Seal		1		MT 1840 EP PRIVILEGE, MT 1058 EP PRIVILEGE, MT 1058 PRIVILEGE, MT 1840 PRIVILEGE
19	260669	Housing		2		MT 1840 EP PRIVILEGE, MT 1058 EP PRIVILEGE, MT 1058 PRIVILEGE, MT 1840 PRIVILEGE
20	226606	Black screw		8		MT 1840 EP PRIVILEGE, MT 1058 EP PRIVILEGE, MT 1058 PRIVILEGE, MT 1840 PRIVILEGE

Item	Part No.	Name	Characteristics	Qty	Superseded PartNumber	Product Type
21	225746	Black washer	M4	8		MT 1840 EP PRIVILEGE, MT 1058 EP PRIVILEGE, MT 1058 PRIVILEGE, MT 1840 PRIVILEGE
22	259356	Lamp		1		MT 1840 EP PRIVILEGE, MT 1058 EP PRIVILEGE, MT 1058 PRIVILEGE, MT 1840 PRIVILEGE
23	259356	Lamp		1		MT 1840 EP PRIVILEGE, MT 1058 EP PRIVILEGE, MT 1058 PRIVILEGE, MT 1840 PRIVILEGE
24	259357	Lamp		1		MT 1840 EP PRIVILEGE, MT 1058 EP PRIVILEGE, MT 1058 PRIVILEGE, MT 1840 PRIVILEGE
25	259357	Lamp		1		MT 1840 EP PRIVILEGE, MT 1058 EP PRIVILEGE, MT 1058 PRIVILEGE, MT 1840 PRIVILEGE
26	174132	Washer	M6	4		MT 1840 EP PRIVILEGE, MT 1058 EP PRIVILEGE, MT 1058 PRIVILEGE, MT 1840 PRIVILEGE
27	25714	Nut	M6	4		MT 1840 EP PRIVILEGE, MT 1058 EP PRIVILEGE, MT 1058 PRIVILEGE, MT 1840 PRIVILEGE
28	745991	Bulb		6		MT 1840 EP PRIVILEGE, MT 1058 EP PRIVILEGE, MT 1058 PRIVILEGE, MT 1840 PRIVILEGE
29	179413	Bulb		2		MT 1840 EP PRIVILEGE, MT 1058 EP PRIVILEGE, MT 1058 PRIVILEGE, MT 1840 PRIVILEGE
30	264493	Buzzer		1		MT 1840 EP PRIVILEGE, MT 1058 EP PRIVILEGE, MT 1058 PRIVILEGE, MT 1840 PRIVILEGE
31	58523	Screw	HM5, H,M 5- 30-8.8-ZN5/C, H M5-30-8.8-ZN5/C	2		MT 1840 EP PRIVILEGE, MT 1058 EP PRIVILEGE, MT 1058 PRIVILEGE, MT 1840 PRIVILEGE
32	28959	Washer	M5	2		MT 1840 EP PRIVILEGE, MT 1058 EP PRIVILEGE, MT 1058 PRIVILEGE, MT 1840 PRIVILEGE
33	192310	Washer	M5	2		MT 1840 EP PRIVILEGE, MT 1058 EP PRIVILEGE, MT 1058 PRIVILEGE, MT 1840 PRIVILEGE
34	54232	Nut	M5	2		MT 1840 EP PRIVILEGE, MT 1058 EP PRIVILEGE, MT 1058 PRIVILEGE, MT 1840 PRIVILEGE
35	267706	Electronics box		1		MT 1840 EP PRIVILEGE, MT 1058 EP PRIVILEGE, MT 1058 PRIVILEGE, MT 1840 PRIVILEGE
36	240822	Screw		4		MT 1840 EP PRIVILEGE, MT 1058 EP PRIVILEGE, MT 1058 PRIVILEGE, MT 1840 PRIVILEGE
37	267708	Electronics box		1		MT 1840 EP PRIVILEGE, MT 1058 EP PRIVILEGE, MT 1058 PRIVILEGE, MT 1840 PRIVILEGE
38	240822	Screw		4		MT 1840 EP PRIVILEGE, MT 1058 EP PRIVILEGE, MT 1058 PRIVILEGE, MT 1840 PRIVILEGE
39	52502269	Pressure switch		1		MT 1840 EP PRIVILEGE, MT 1058 EP PRIVILEGE, MT 1058 PRIVILEGE, MT 1840 PRIVILEGE
40	177588	O ring		1		MT 1840 EP PRIVILEGE, MT 1058 EP PRIVILEGE, MT 1058 PRIVILEGE, MT 1840 PRIVILEGE

Item	Part No.	Name	Characteristics	Qty	Superseded PartNumber	Product Type
41	260600	Strain-gauge		2		MT 1840 EP PRIVILEGE, MT 1058 EP PRIVILEGE, MT 1058 PRIVILEGE, MT 1840 PRIVILEGE
42	265435	Housing		1		MT 1840 EP PRIVILEGE, MT 1058 EP PRIVILEGE, MT 1058 PRIVILEGE, MT 1840 PRIVILEGE
43	60950	Screw	HM6	1		MT 1840 EP PRIVILEGE, MT 1058 EP PRIVILEGE, MT 1058 PRIVILEGE, MT 1840 PRIVILEGE
44	189857	Washer	M6	1		MT 1840 EP PRIVILEGE, MT 1058 EP PRIVILEGE, MT 1058 PRIVILEGE, MT 1840 PRIVILEGE
45	232750	Screw	M6	1		MT 1840 EP PRIVILEGE, MT 1058 EP PRIVILEGE, MT 1058 PRIVILEGE, MT 1840 PRIVILEGE
46	264434	Guide		1		MT 1840 EP PRIVILEGE, MT 1058 EP PRIVILEGE, MT 1058 PRIVILEGE, MT 1840 PRIVILEGE
47	56707	Screw	HM14	1		MT 1840 EP PRIVILEGE, MT 1058 EP PRIVILEGE, MT 1058 PRIVILEGE, MT 1840 PRIVILEGE
48	194048	Washer	M14	1		MT 1840 EP PRIVILEGE, MT 1058 EP PRIVILEGE, MT 1058 PRIVILEGE, MT 1840 PRIVILEGE
49	267707	Electronics box		1		MT 1840 EP PRIVILEGE, MT 1058 EP PRIVILEGE, MT 1058 PRIVILEGE, MT 1840 PRIVILEGE
50	265814	Screw	M10	4		MT 1840 EP PRIVILEGE, MT 1058 EP PRIVILEGE, MT 1058 PRIVILEGE, MT 1840 PRIVILEGE
51	254088	Washer		4		MT 1840 EP PRIVILEGE, MT 1058 EP PRIVILEGE, MT 1058 PRIVILEGE, MT 1840 PRIVILEGE



06 / 04 / 11

Item	Part No.	Name	Characteristics	Qty	Superseded PartNumber	Product Type
1	265416	Lamp		1		MT 1840 EP PRIVILEGE, MT 1840 PRIVILEGE
2	265418	Complete left-hand front headlight UK	-	1		MT 1840 EP PRIVILEGE, MT 1840 PRIVILEGE
3	265416	Lamp		2		MT 1840 EP PRIVILEGE, MT 1840 PRIVILEGE
4	265418	Complete left-hand front headlight UK	-	2		MT 1840 EP PRIVILEGE, MT 1840 PRIVILEGE
5	563881	High beam headlight bulb		2		MT 1840 EP PRIVILEGE, MT 1840 PRIVILEGE
6	20996	Bulb	12V 4W	2		MT 1840 EP PRIVILEGE, MT 1840 PRIVILEGE
7	164378	Bulb	H3 12V 55W	2		MT 1840 EP PRIVILEGE, MT 1840 PRIVILEGE
8	747043	Bulb		2		MT 1840 EP PRIVILEGE, MT 1840 PRIVILEGE
9	747039	Front indicator light		2		MT 1840 EP PRIVILEGE, MT 1840 PRIVILEGE
10	265415	Lamp		1		MT 1840 EP PRIVILEGE, MT 1840 PRIVILEGE
11	265417	Complete right-hand front headlight UK	-	1		MT 1840 EP PRIVILEGE, MT 1840 PRIVILEGE
12	20125	Horn		1		MT 1840 EP PRIVILEGE, MT 1840 PRIVILEGE
13	259946	Screw	M8	1		MT 1840 EP PRIVILEGE, MT 1840 PRIVILEGE
14	257269	Pressure switch		4		MT 1840 EP PRIVILEGE, MT 1840 PRIVILEGE
15	177588	O ring		1		MT 1840 EP PRIVILEGE, MT 1840 PRIVILEGE
16	267479	Sheath		4		MT 1840 EP PRIVILEGE, MT 1840 PRIVILEGE
17	264195	Pressure switch		1		MT 1840 EP PRIVILEGE, MT 1840 PRIVILEGE
18	604975	Seal		1		MT 1840 EP PRIVILEGE, MT 1840 PRIVILEGE
19	260669	Housing		2		MT 1840 EP PRIVILEGE, MT 1840 PRIVILEGE
20	226606	Black screw		8		MT 1840 EP PRIVILEGE, MT 1840 PRIVILEGE
21	225746	Black washer	M4	8		MT 1840 EP PRIVILEGE, MT 1840 PRIVILEGE
22	259356	Lamp		1		MT 1840 EP PRIVILEGE, MT 1840 PRIVILEGE
23	259356	Lamp		1		MT 1840 EP PRIVILEGE, MT 1840 PRIVILEGE
24	259357	Lamp		1		MT 1840 EP PRIVILEGE, MT 1840 PRIVILEGE
25	259357	Lamp		1		MT 1840 EP PRIVILEGE, MT 1840 PRIVILEGE
26	174132	Washer	M6	4		MT 1840 EP PRIVILEGE, MT 1840 PRIVILEGE

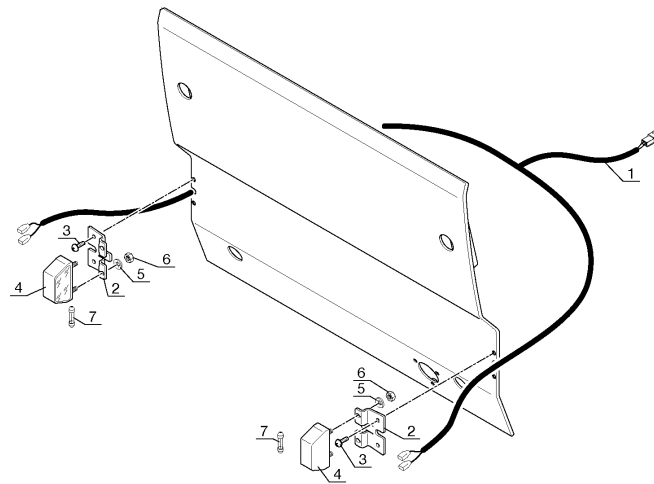
Item	Part No.	Name	Characteristics	Qty	Superseded PartNumber	Product Type
27	25714	Nut	M6	4		MT 1840 EP PRIVILEGE, MT 1840 PRIVILEGE
28	745991	Bulb		6		MT 1840 EP PRIVILEGE, MT 1840 PRIVILEGE
29	179413	Bulb		2		MT 1840 EP PRIVILEGE, MT 1840 PRIVILEGE
30	268521	Horn		1		MT 1840 EP PRIVILEGE, MT 1840 PRIVILEGE
31	6942	Screw	HM8	2		MT 1840 EP PRIVILEGE, MT 1840 PRIVILEGE
32	61674	Washer	M8	2		MT 1840 EP PRIVILEGE, MT 1840 PRIVILEGE
34	254177	Nut	M8	2		MT 1840 EP PRIVILEGE, MT 1840 PRIVILEGE
35	267706	Electronics box		1		MT 1840 EP PRIVILEGE, MT 1840 PRIVILEGE
36	240822	Screw		4		MT 1840 EP PRIVILEGE, MT 1840 PRIVILEGE
37	267708	Electronics box		1		MT 1840 EP PRIVILEGE, MT 1840 PRIVILEGE
38	240822	Screw		4		MT 1840 EP PRIVILEGE, MT 1840 PRIVILEGE
39	52502269	Pressure switch		1		MT 1840 EP PRIVILEGE, MT 1840 PRIVILEGE
40	177588	O ring		1		MT 1840 EP PRIVILEGE, MT 1840 PRIVILEGE
41	260600	Strain-gauge		2		MT 1840 EP PRIVILEGE, MT 1840 PRIVILEGE
42	265435	Housing		1		MT 1840 EP PRIVILEGE, MT 1840 PRIVILEGE
43	60950	Screw	HM6	1		MT 1840 EP PRIVILEGE, MT 1840 PRIVILEGE
44	189857	Washer	M6	1		MT 1840 EP PRIVILEGE, MT 1840 PRIVILEGE
45	232750	Screw	M6	1		MT 1840 EP PRIVILEGE, MT 1840 PRIVILEGE
46	264434	Guide		1		MT 1840 EP PRIVILEGE, MT 1840 PRIVILEGE
47	56707	Screw	HM14	1		MT 1840 EP PRIVILEGE, MT 1840 PRIVILEGE
48	194048	Washer	M14	1		MT 1840 EP PRIVILEGE, MT 1840 PRIVILEGE
49	267707	Electronics box		1		MT 1840 EP PRIVILEGE, MT 1840 PRIVILEGE
50	265814	Screw	M10	4		MT 1840 EP PRIVILEGE, MT 1840 PRIVILEGE
51	254088	Washer		4		MT 1840 EP PRIVILEGE, MT 1840 PRIVILEGE
52	265415	Lamp		1		MT 1840 EP PRIVILEGE, MT 1840 PRIVILEGE
53	265417	Complete right-hand front headlight UK	-	1		MT 1840 EP PRIVILEGE, MT 1840 PRIVILEGE

Item	Part No.	Name	Characteristics	Qty	Superseded PartNumber	Product Type
54	292396	Cover		1		MT 1840 EP PRIVILEGE, MT 1840 PRIVILEGE

11 CB 717

ELECTRICITE (Eclairage plaque d'exploitation)
ELEKTRIZITÄT (Beleuchtung des Betriebsschildes)
ELECTRICIDAD (Iluminacion placa de explotacion)
ELECTICITY (Service plate lighting)
ELETTRICO (Illuminazione della targa d'identificazione)

MT 1440 PRIVILEGE
MT 1440 EP PRIVILEGE
MT 1440 A PRIVILEGE
MT 1840 PRIVILEGE
MT 1840 EP PRIVILEGE
MT 1840 A PRIVILEGE

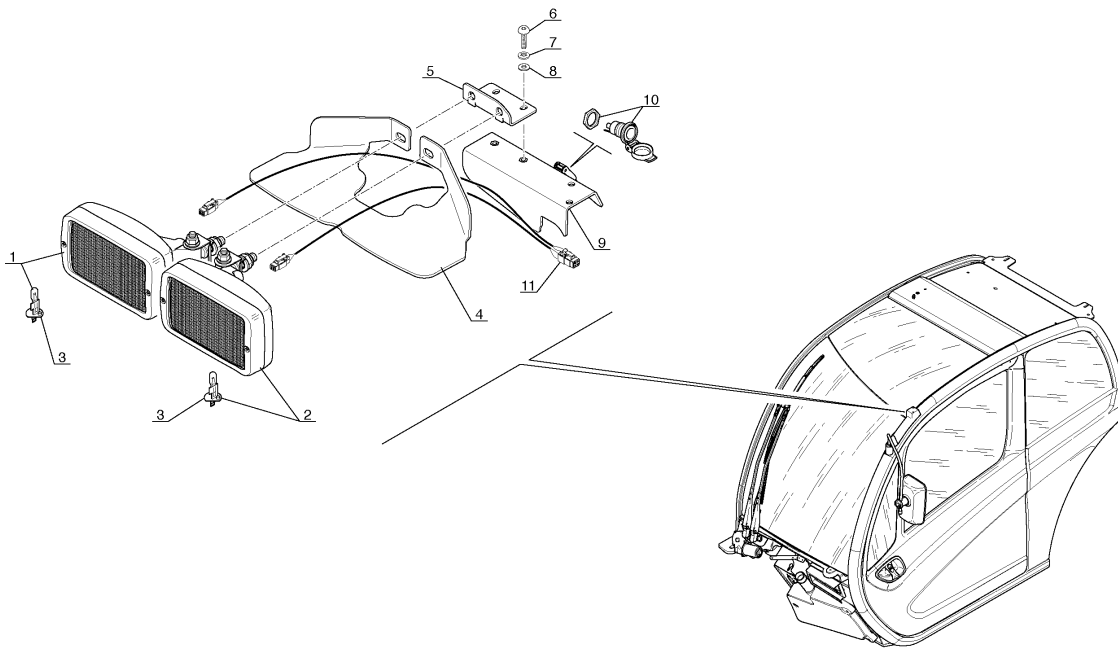


Item	Part No.	Name	Characteristics	Qty	Superseded PartNumber	Product Type
0	728689	Service plate lighting kit		1		MT 1840 EP PRIVILEGE, MT 1440 A PRIVILEGE, MT 1440 PRIVILEGE, MT 1840 A PRIVILEGE, MT 1840 PRIVILEGE, MT 1440 EP PRIVILEGE
0	728689OPT	LIGHT		1	261175	MT 1840 EP PRIVILEGE, MT 1440 A PRIVILEGE, MT 1440 PRIVILEGE, MT 1840 A PRIVILEGE, MT 1840 PRIVILEGE, MT 1440 EP PRIVILEGE
1	261190	Wiring harness		1		MT 1840 EP PRIVILEGE, MT 1440 A PRIVILEGE, MT 1440 PRIVILEGE, MT 1840 A PRIVILEGE, MT 1840 PRIVILEGE, MT 1440 EP PRIVILEGE
2	261174	Bracket		2		MT 1840 EP PRIVILEGE, MT 1440 A PRIVILEGE, MT 1440 PRIVILEGE, MT 1840 A PRIVILEGE, MT 1840 PRIVILEGE, MT 1440 EP PRIVILEGE
3	79533	Screw		4		MT 1840 EP PRIVILEGE, MT 1440 A PRIVILEGE, MT 1440 PRIVILEGE, MT 1840 A PRIVILEGE, MT 1840 PRIVILEGE, MT 1440 EP PRIVILEGE
4	227330	Licence plate rear light		2		MT 1840 EP PRIVILEGE, MT 1440 A PRIVILEGE, MT 1440 PRIVILEGE, MT 1840 A PRIVILEGE, MT 1840 PRIVILEGE, MT 1440 EP PRIVILEGE
5	192310	Washer	M5	4		MT 1840 EP PRIVILEGE, MT 1440 A PRIVILEGE, MT 1440 PRIVILEGE, MT 1840 A PRIVILEGE, MT 1840 PRIVILEGE, MT 1440 EP PRIVILEGE
6	54232	Nut	M5	4		MT 1840 EP PRIVILEGE, MT 1440 A PRIVILEGE, MT 1440 PRIVILEGE, MT 1840 A PRIVILEGE, MT 1840 PRIVILEGE, MT 1440 EP PRIVILEGE
7	676	Tubular bulb	12V 5W	2		MT 1840 EP PRIVILEGE, MT 1440 A PRIVILEGE, MT 1440 PRIVILEGE, MT 1840 A PRIVILEGE, MT 1840 PRIVILEGE, MT 1440 EP PRIVILEGE

11 CB 754

PHARE DE TRAVAIL AVANT
VORN ARBEITEN SCHEINWERFER
FARO DE TRABAJO DELANTERO
FRONT WORKING HEADLIGHT
FARO DI LAVORO ANTERIORE

MT 1440 PRIVILEGE
MT 1440 EP PRIVILEGE
MT 1440 A PRIVILEGE
MT 1840 PRIVILEGE
MT 1840 EP PRIVILEGE
MT 1840 A PRIVILEGE



06 / 02 / 07

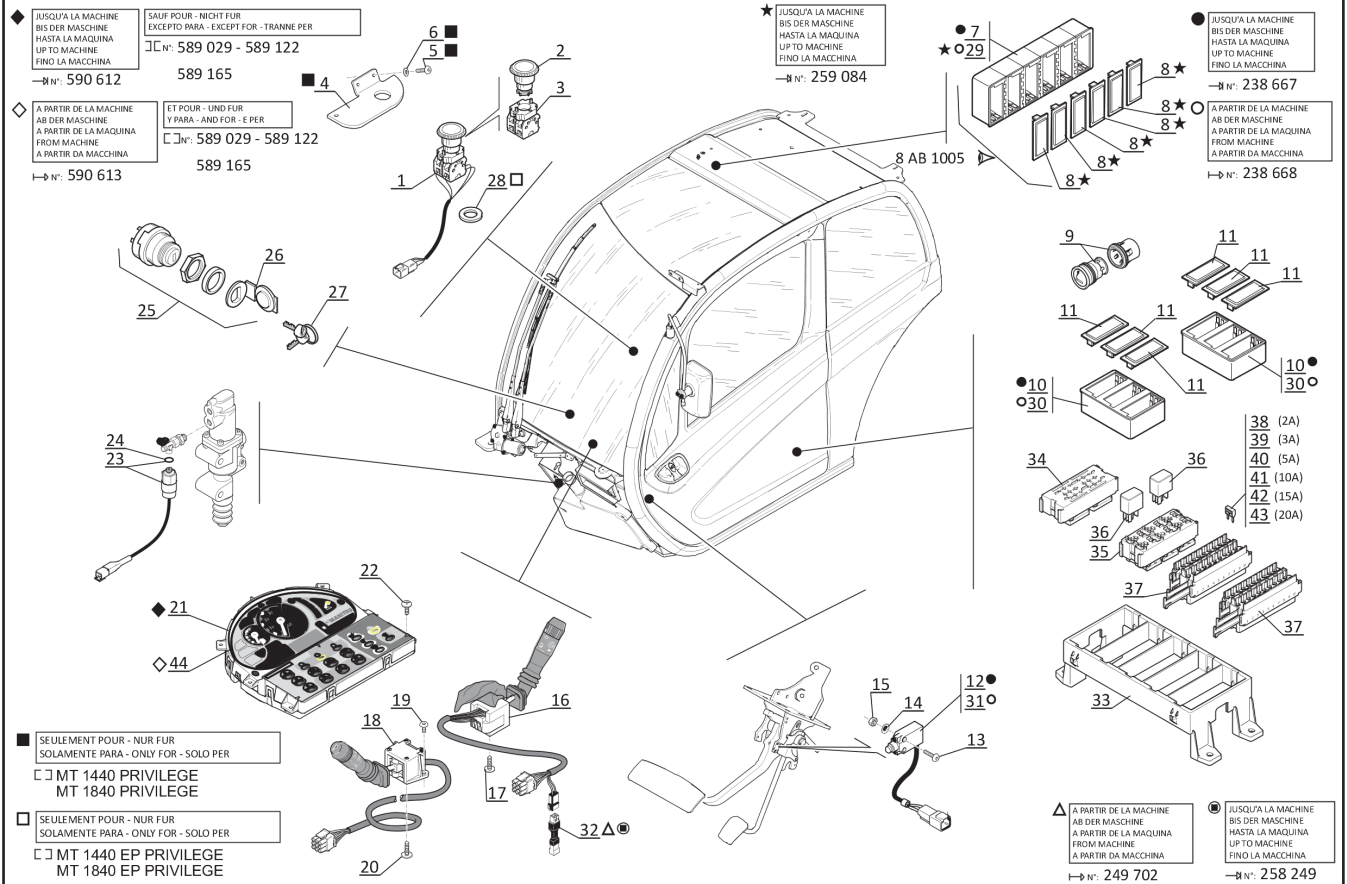
P.A. O.illus

Item	Part No.	Name	Characteristics	Qty	Superseded PartNumber	Product Type
0	750702	Front working light kit		1		MT 1840 EP PRIVILEGE, MT 1440 A PRIVILEGE, MT 1440 PRIVILEGE, MT 1840 A PRIVILEGE, MT 1840 PRIVILEGE, MT 1440 EP PRIVILEGE
0	260809	Front working headlight kit		1		MT 1840 EP PRIVILEGE, MT 1440 A PRIVILEGE, MT 1440 PRIVILEGE, MT 1840 A PRIVILEGE, MT 1840 PRIVILEGE, MT 1440 EP PRIVILEGE
1	241360	Front working light		1		MT 1840 EP PRIVILEGE, MT 1440 A PRIVILEGE, MT 1440 PRIVILEGE, MT 1840 A PRIVILEGE, MT 1840 PRIVILEGE, MT 1440 EP PRIVILEGE
2	241361	Front working light	1 FIXATION PAR VIS ; 2 CONTACTS ; 1 ARTICULATION	1		MT 1840 EP PRIVILEGE, MT 1440 A PRIVILEGE, MT 1440 PRIVILEGE, MT 1840 A PRIVILEGE, MT 1840 PRIVILEGE, MT 1440 EP PRIVILEGE
3	164378	Bulb	H3 12V 55W	1		MT 1840 EP PRIVILEGE, MT 1440 A PRIVILEGE, MT 1440 PRIVILEGE, MT 1840 A PRIVILEGE, MT 1840 PRIVILEGE, MT 1440 EP PRIVILEGE
4	261215	Working headlight bracket		1		MT 1840 EP PRIVILEGE, MT 1440 A PRIVILEGE, MT 1440 PRIVILEGE, MT 1840 A PRIVILEGE, MT 1840 PRIVILEGE, MT 1440 EP PRIVILEGE
5	264224	Bracket		1		MT 1840 EP PRIVILEGE, MT 1440 A PRIVILEGE, MT 1440 PRIVILEGE, MT 1840 A PRIVILEGE, MT 1840 PRIVILEGE, MT 1440 EP PRIVILEGE
6	228244	Screw	M6	2		MT 1840 EP PRIVILEGE, MT 1440 A PRIVILEGE, MT 1440 PRIVILEGE, MT 1840 A PRIVILEGE, MT 1840 PRIVILEGE, MT 1440 EP PRIVILEGE
7	174132	Washer	M6	2		MT 1840 EP PRIVILEGE, MT 1440 A PRIVILEGE, MT 1440 PRIVILEGE, MT 1840 A PRIVILEGE, MT 1840 PRIVILEGE, MT 1440 EP PRIVILEGE
8	29469	Washer	M6	2		MT 1840 EP PRIVILEGE, MT 1440 A PRIVILEGE, MT 1440 PRIVILEGE, MT 1840 A PRIVILEGE, MT 1840 PRIVILEGE, MT 1440 EP PRIVILEGE
9	264745	Bracket		1	746438	MT 1840 EP PRIVILEGE, MT 1440 A PRIVILEGE, MT 1440 PRIVILEGE, MT 1840 A PRIVILEGE, MT 1840 PRIVILEGE, MT 1440 EP PRIVILEGE
10	746370	Connector (Revolving light)		1		MT 1840 EP PRIVILEGE, MT 1440 A PRIVILEGE, MT 1440 PRIVILEGE, MT 1840 A PRIVILEGE, MT 1840 PRIVILEGE, MT 1440 EP PRIVILEGE
11	261213	Wiring harness		1		MT 1840 EP PRIVILEGE, MT 1440 A PRIVILEGE, MT 1440 PRIVILEGE, MT 1840 A PRIVILEGE, MT 1840 PRIVILEGE, MT 1440 EP PRIVILEGE

11 CC 176

ELECTRICITE (Poste de conduite)
 ELEKTRIZITÄT (Fahrerstand)
 ELECTRICIDAD (Puesto del conductor)
 ELECTRICITY (Cab structure)
 ELETTRICO (Posto di pilotaggio)

MT 1440 PRIVILEGE
 MT 1440 EP PRIVILEGE
 MT 1840 PRIVILEGE
 MT 1840 EP PRIVILEGE



01/06/1 0

P.A.O. ILLUS

Item	Part No.	Name	Characteristics	Qty	Superseded PartNumber	Product Type
1	314619	Emergency stop button		1		MT 1840 EP PRIVILEGE, MT 1440 PRIVILEGE, MT 1044 PRIVILEGE, MT 1058 EP PRIVILEGE, MT 1058 PRIVILEGE, MT 1840 PRIVILEGE, MT 1044 EP PRIVILEGE, MT 1440 EP PRIVILEGE
2	310303	Emergency stop button		1		MT 1840 EP PRIVILEGE, MT 1440 PRIVILEGE, MT 1044 PRIVILEGE, MT 1058 EP PRIVILEGE, MT 1058 PRIVILEGE, MT 1840 PRIVILEGE, MT 1044 EP PRIVILEGE, MT 1440 EP PRIVILEGE
3	247078	Switch + base plate		1		MT 1840 EP PRIVILEGE, MT 1440 PRIVILEGE, MT 1044 PRIVILEGE, MT 1058 EP PRIVILEGE, MT 1058 PRIVILEGE, MT 1840 PRIVILEGE, MT 1044 EP PRIVILEGE, MT 1440 EP PRIVILEGE
4	265344	Support		1		MT 1840 EP PRIVILEGE, MT 1440 PRIVILEGE, MT 1044 PRIVILEGE, MT 1058 EP PRIVILEGE, MT 1058 PRIVILEGE, MT 1840 PRIVILEGE, MT 1044 EP PRIVILEGE, MT 1440 EP PRIVILEGE
5	184036	Screw	M5	2		MT 1840 EP PRIVILEGE, MT 1440 PRIVILEGE, MT 1044 PRIVILEGE, MT 1058 EP PRIVILEGE, MT 1058 PRIVILEGE, MT 1840 PRIVILEGE, MT 1044 EP PRIVILEGE, MT 1440 EP PRIVILEGE
6	189858	Black washer	M5	2		MT 1840 EP PRIVILEGE, MT 1440 PRIVILEGE, MT 1044 PRIVILEGE, MT 1058 EP PRIVILEGE, MT 1058 PRIVILEGE, MT 1840 PRIVILEGE, MT 1044 EP PRIVILEGE, MT 1440 EP PRIVILEGE
7	252217	Switch bracket		1		MT 1840 EP PRIVILEGE, MT 1440 PRIVILEGE, MT 1044 PRIVILEGE, MT 1058 EP PRIVILEGE, MT 1058 PRIVILEGE, MT 1840 PRIVILEGE, MT 1044 EP PRIVILEGE, MT 1440 EP PRIVILEGE
8	224775	Plug		6		MT 1840 EP PRIVILEGE, MT 1440 PRIVILEGE, MT 1044 PRIVILEGE, MT 1058 EP PRIVILEGE, MT 1058 PRIVILEGE, MT 1840 PRIVILEGE, MT 1044 EP PRIVILEGE, MT 1440 EP PRIVILEGE
9	237370	Cigarette lighter		1		MT 1840 EP PRIVILEGE, MT 1440 PRIVILEGE, MT 1044 PRIVILEGE, MT 1058 EP PRIVILEGE, MT 1058 PRIVILEGE, MT 1840 PRIVILEGE, MT 1044 EP PRIVILEGE, MT 1440 EP PRIVILEGE
10	232116	Support		2		MT 1840 EP PRIVILEGE, MT 1440 PRIVILEGE, MT 1044 PRIVILEGE, MT 1058 EP PRIVILEGE, MT 1058 PRIVILEGE, MT 1840 PRIVILEGE, MT 1044 EP PRIVILEGE, MT 1440 EP PRIVILEGE
11	224775	Plug		6		MT 1840 EP PRIVILEGE, MT 1440 PRIVILEGE, MT 1044 PRIVILEGE, MT 1058 EP PRIVILEGE, MT 1058 PRIVILEGE, MT 1840 PRIVILEGE, MT 1044 EP PRIVILEGE, MT 1440 EP PRIVILEGE

Item	Part No.	Name	Characteristics	Qty	Superseded PartNumber	Product Type
12	287272	Switch		1		MT 1840 EP PRIVILEGE, MT 1440 PRIVILEGE, MT 1044 PRIVILEGE, MT 1058 EP PRIVILEGE, MT 1058 PRIVILEGE, MT 1840 PRIVILEGE, MT 1044 EP PRIVILEGE, MT 1440 EP PRIVILEGE
13	484702	Screw		2		MT 1840 EP PRIVILEGE, MT 1440 PRIVILEGE, MT 1044 PRIVILEGE, MT 1058 EP PRIVILEGE, MT 1058 PRIVILEGE, MT 1840 PRIVILEGE, MT 1044 EP PRIVILEGE, MT 1440 EP PRIVILEGE
14	78806	Washer		2		MT 1840 EP PRIVILEGE, MT 1440 PRIVILEGE, MT 1044 PRIVILEGE, MT 1058 EP PRIVILEGE, MT 1058 PRIVILEGE, MT 1840 PRIVILEGE, MT 1044 EP PRIVILEGE, MT 1440 EP PRIVILEGE
15	25758	Nut	M4	2		MT 1840 EP PRIVILEGE, MT 1440 PRIVILEGE, MT 1044 PRIVILEGE, MT 1058 EP PRIVILEGE, MT 1058 PRIVILEGE, MT 1840 PRIVILEGE, MT 1044 EP PRIVILEGE, MT 1440 EP PRIVILEGE
16	260578	Windscreen wiper switch		1		MT 1840 EP PRIVILEGE, MT 1440 PRIVILEGE, MT 1044 PRIVILEGE, MT 1058 EP PRIVILEGE, MT 1058 PRIVILEGE, MT 1840 PRIVILEGE, MT 1044 EP PRIVILEGE, MT 1440 EP PRIVILEGE
17	198244	Screw		3		MT 1840 EP PRIVILEGE, MT 1440 PRIVILEGE, MT 1044 PRIVILEGE, MT 1058 EP PRIVILEGE, MT 1058 PRIVILEGE, MT 1840 PRIVILEGE, MT 1044 EP PRIVILEGE, MT 1440 EP PRIVILEGE
18	260579	Lighting switch		1		MT 1840 EP PRIVILEGE, MT 1440 PRIVILEGE, MT 1044 PRIVILEGE, MT 1058 EP PRIVILEGE, MT 1058 PRIVILEGE, MT 1840 PRIVILEGE, MT 1044 EP PRIVILEGE, MT 1440 EP PRIVILEGE
19	79533	Screw		2		MT 1840 EP PRIVILEGE, MT 1440 PRIVILEGE, MT 1044 PRIVILEGE, MT 1058 EP PRIVILEGE, MT 1058 PRIVILEGE, MT 1840 PRIVILEGE, MT 1044 EP PRIVILEGE, MT 1440 EP PRIVILEGE
20	198244	Screw		1		MT 1840 EP PRIVILEGE, MT 1440 PRIVILEGE, MT 1044 PRIVILEGE, MT 1058 EP PRIVILEGE, MT 1058 PRIVILEGE, MT 1840 PRIVILEGE, MT 1044 EP PRIVILEGE, MT 1440 EP PRIVILEGE
21	267704	Instrument panel		1		MT 1840 EP PRIVILEGE, MT 1440 PRIVILEGE, MT 1044 PRIVILEGE, MT 1058 EP PRIVILEGE, MT 1058 PRIVILEGE, MT 1840 PRIVILEGE, MT 1044 EP PRIVILEGE, MT 1440 EP PRIVILEGE
22	265322	Screw		4		MT 1840 EP PRIVILEGE, MT 1440 PRIVILEGE, MT 1044 PRIVILEGE, MT 1058 EP PRIVILEGE, MT 1058 PRIVILEGE, MT 1840 PRIVILEGE, MT 1044 EP PRIVILEGE, MT 1440 EP PRIVILEGE

Item	Part No.	Name	Characteristics	Qty	Superseded PartNumber	Product Type
23	257234	pressure switch		1		MT 1840 EP PRIVILEGE, MT 1440 PRIVILEGE, MT 1044 PRIVILEGE, MT 1058 EP PRIVILEGE, MT 1058 PRIVILEGE, MT 1840 PRIVILEGE, MT 1044 EP PRIVILEGE, MT 1440 EP PRIVILEGE
24	604975	Seal		1		MT 1840 EP PRIVILEGE, MT 1440 PRIVILEGE, MT 1044 PRIVILEGE, MT 1058 EP PRIVILEGE, MT 1058 PRIVILEGE, MT 1840 PRIVILEGE, MT 1044 EP PRIVILEGE, MT 1440 EP PRIVILEGE
25	184817	Key switch		1		MT 1840 EP PRIVILEGE, MT 1440 PRIVILEGE, MT 1044 PRIVILEGE, MT 1058 EP PRIVILEGE, MT 1058 PRIVILEGE, MT 1840 PRIVILEGE, MT 1044 EP PRIVILEGE, MT 1440 EP PRIVILEGE
26	77522	Cap		1		MT 1840 EP PRIVILEGE, MT 1440 PRIVILEGE, MT 1044 PRIVILEGE, MT 1058 EP PRIVILEGE, MT 1058 PRIVILEGE, MT 1840 PRIVILEGE, MT 1044 EP PRIVILEGE, MT 1440 EP PRIVILEGE
27	184818	Ignition key		2		MT 1840 EP PRIVILEGE, MT 1440 PRIVILEGE, MT 1044 PRIVILEGE, MT 1058 EP PRIVILEGE, MT 1058 PRIVILEGE, MT 1840 PRIVILEGE, MT 1044 EP PRIVILEGE, MT 1440 EP PRIVILEGE
28	227321	Washer		1		MT 1840 EP PRIVILEGE, MT 1440 PRIVILEGE, MT 1044 PRIVILEGE, MT 1058 EP PRIVILEGE, MT 1058 PRIVILEGE, MT 1840 PRIVILEGE, MT 1044 EP PRIVILEGE, MT 1440 EP PRIVILEGE
29	266243	Support		1		MT 1840 EP PRIVILEGE, MT 1440 PRIVILEGE, MT 1044 PRIVILEGE, MT 1058 EP PRIVILEGE, MT 1058 PRIVILEGE, MT 1840 PRIVILEGE, MT 1044 EP PRIVILEGE, MT 1440 EP PRIVILEGE
30	265723	Bracket		2		MT 1840 EP PRIVILEGE, MT 1440 PRIVILEGE, MT 1044 PRIVILEGE, MT 1058 EP PRIVILEGE, MT 1058 PRIVILEGE, MT 1840 PRIVILEGE, MT 1044 EP PRIVILEGE, MT 1440 EP PRIVILEGE
31	287272	Switch		1		MT 1840 EP PRIVILEGE, MT 1440 PRIVILEGE, MT 1044 PRIVILEGE, MT 1058 EP PRIVILEGE, MT 1058 PRIVILEGE, MT 1840 PRIVILEGE, MT 1044 EP PRIVILEGE, MT 1440 EP PRIVILEGE
32	271365	Diode wiring harness		1		MT 1840 EP PRIVILEGE, MT 1440 PRIVILEGE, MT 1044 PRIVILEGE, MT 1058 EP PRIVILEGE, MT 1058 PRIVILEGE, MT 1840 PRIVILEGE, MT 1044 EP PRIVILEGE, MT 1440 EP PRIVILEGE
33	748070	Support		1		MT 1840 EP PRIVILEGE, MT 1440 PRIVILEGE, MT 1044 PRIVILEGE, MT 1058 EP PRIVILEGE, MT 1058 PRIVILEGE, MT 1840 PRIVILEGE, MT 1044 EP PRIVILEGE, MT 1440 EP PRIVILEGE

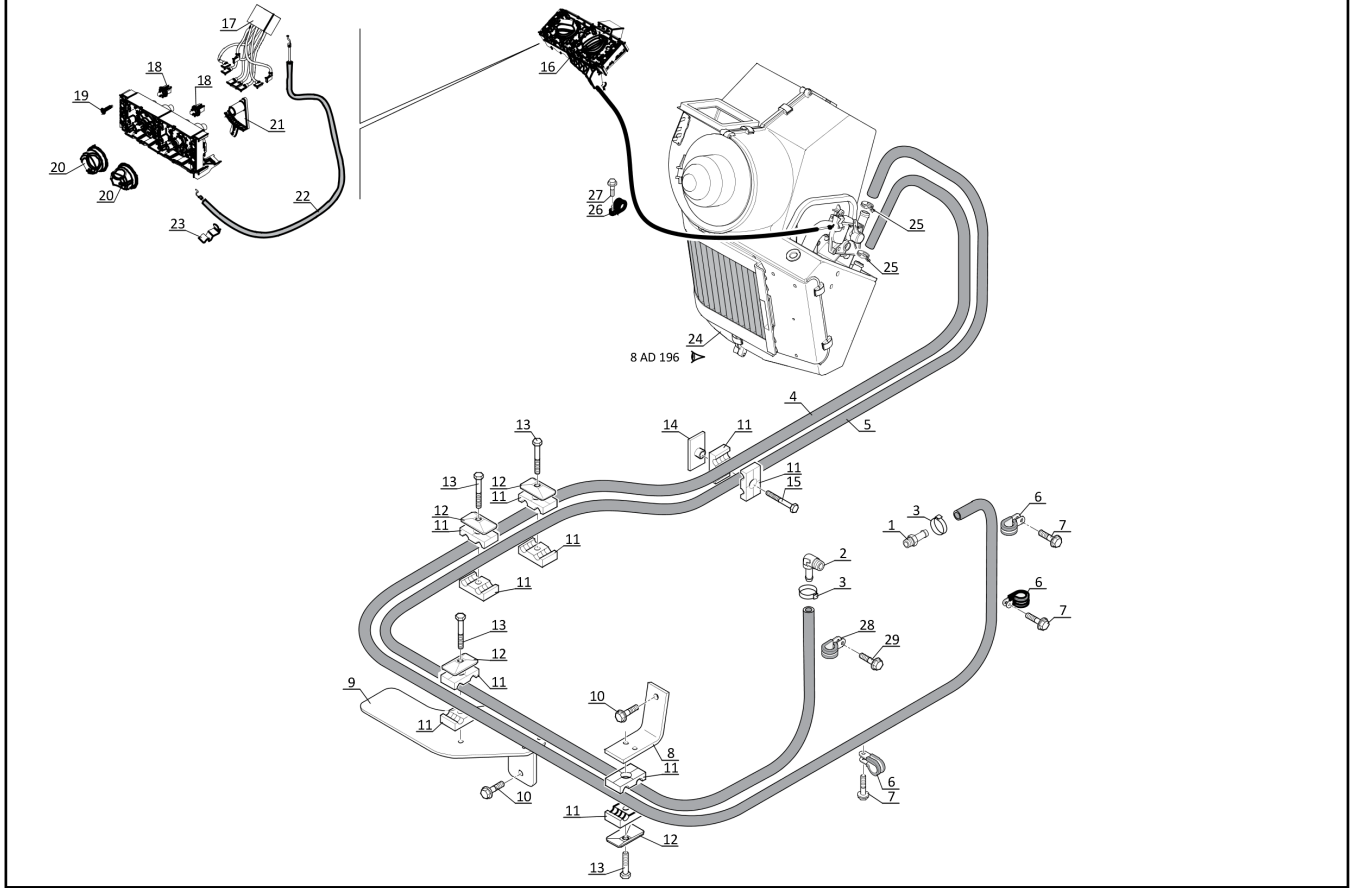
Item	Part No.	Name	Characteristics	Qty	Superseded PartNumber	Product Type
34	748072	Module		1		MT 1840 EP PRIVILEGE, MT 1440 PRIVILEGE, MT 1044 PRIVILEGE, MT 1058 EP PRIVILEGE, MT 1058 PRIVILEGE, MT 1840 PRIVILEGE, MT 1044 EP PRIVILEGE, MT 1440 EP PRIVILEGE
35	746188	Module		1		MT 1840 EP PRIVILEGE, MT 1440 PRIVILEGE, MT 1044 PRIVILEGE, MT 1058 EP PRIVILEGE, MT 1058 PRIVILEGE, MT 1840 PRIVILEGE, MT 1044 EP PRIVILEGE, MT 1440 EP PRIVILEGE
36	245700	Relay		2		MT 1840 EP PRIVILEGE, MT 1440 PRIVILEGE, MT 1044 PRIVILEGE, MT 1058 EP PRIVILEGE, MT 1058 PRIVILEGE, MT 1840 PRIVILEGE, MT 1044 EP PRIVILEGE, MT 1440 EP PRIVILEGE
37	748071	Module		2		MT 1840 EP PRIVILEGE, MT 1440 PRIVILEGE, MT 1044 PRIVILEGE, MT 1058 EP PRIVILEGE, MT 1058 PRIVILEGE, MT 1840 PRIVILEGE, MT 1044 EP PRIVILEGE, MT 1440 EP PRIVILEGE
38	250561	Fuse 2A	2A	1		MT 1840 EP PRIVILEGE, MT 1440 PRIVILEGE, MT 1044 PRIVILEGE, MT 1058 EP PRIVILEGE, MT 1058 PRIVILEGE, MT 1840 PRIVILEGE, MT 1044 EP PRIVILEGE, MT 1440 EP PRIVILEGE
39	250606	Fuse 3A		1		MT 1840 EP PRIVILEGE, MT 1440 PRIVILEGE, MT 1044 PRIVILEGE, MT 1058 EP PRIVILEGE, MT 1058 PRIVILEGE, MT 1840 PRIVILEGE, MT 1044 EP PRIVILEGE, MT 1440 EP PRIVILEGE
40	225184	Fuse 5A	5A	1		MT 1840 EP PRIVILEGE, MT 1440 PRIVILEGE, MT 1044 PRIVILEGE, MT 1058 EP PRIVILEGE, MT 1058 PRIVILEGE, MT 1840 PRIVILEGE, MT 1044 EP PRIVILEGE, MT 1440 EP PRIVILEGE
41	225186	Fuse 10A	10A	1		MT 1840 EP PRIVILEGE, MT 1440 PRIVILEGE, MT 1044 PRIVILEGE, MT 1058 EP PRIVILEGE, MT 1058 PRIVILEGE, MT 1840 PRIVILEGE, MT 1044 EP PRIVILEGE, MT 1440 EP PRIVILEGE
42	225187	Fuse 15A	15A	1		MT 1840 EP PRIVILEGE, MT 1440 PRIVILEGE, MT 1044 PRIVILEGE, MT 1058 EP PRIVILEGE, MT 1058 PRIVILEGE, MT 1840 PRIVILEGE, MT 1044 EP PRIVILEGE, MT 1440 EP PRIVILEGE
43	250431	Fuse 20A	20A	1		MT 1840 EP PRIVILEGE, MT 1440 PRIVILEGE, MT 1044 PRIVILEGE, MT 1058 EP PRIVILEGE, MT 1058 PRIVILEGE, MT 1840 PRIVILEGE, MT 1044 EP PRIVILEGE, MT 1440 EP PRIVILEGE
44	290734	Instrument panel		1		MT 1840 EP PRIVILEGE, MT 1440 PRIVILEGE, MT 1044 PRIVILEGE, MT 1058 EP PRIVILEGE, MT 1058 PRIVILEGE, MT 1840 PRIVILEGE, MT 1044 EP PRIVILEGE, MT 1440 EP PRIVILEGE

_SWITCH

8 AD 185

CIRCUIT CHAUFFAGE
ERHITZENKREIS
CIRCUITO CALDEO
HEATING CIRCUIT
CIRCUITO RISCALDAMENTO

MT 1440 PRIVILEGE
MT 1440 EP PRIVILEGE
MT 1840 PRIVILEGE
MT 1840 EP PRIVILEGE



19/01/10
P.A. O. il l'us

Item	Part No.	Name	Characteristics	Qty	Superseded PartNumber	Product Type
1	198059	Connection		1		MT 1840 EP PRIVILEGE, MT 1440 PRIVILEGE, MT 1044 PRIVILEGE, MT 1058 EP PRIVILEGE, MT 1058 PRIVILEGE, MT 1840 PRIVILEGE, MT 1044 EP PRIVILEGE, MT 1440 EP PRIVILEGE
2	242915	Connection		1		MT 1840 EP PRIVILEGE, MT 1440 PRIVILEGE, MT 1044 PRIVILEGE, MT 1058 EP PRIVILEGE, MT 1058 PRIVILEGE, MT 1840 PRIVILEGE, MT 1044 EP PRIVILEGE, MT 1440 EP PRIVILEGE
3	233369	Clamp		2		MT 1840 EP PRIVILEGE, MT 1440 PRIVILEGE, MT 1044 PRIVILEGE, MT 1058 EP PRIVILEGE, MT 1058 PRIVILEGE, MT 1840 PRIVILEGE, MT 1044 EP PRIVILEGE, MT 1440 EP PRIVILEGE
4	280296	Hose		1		MT 1840 EP PRIVILEGE, MT 1440 PRIVILEGE, MT 1044 PRIVILEGE, MT 1058 EP PRIVILEGE, MT 1058 PRIVILEGE, MT 1840 PRIVILEGE, MT 1044 EP PRIVILEGE, MT 1440 EP PRIVILEGE
5	246891	Hose	L3600	1		MT 1840 EP PRIVILEGE, MT 1440 PRIVILEGE, MT 1044 PRIVILEGE, MT 1058 EP PRIVILEGE, MT 1058 PRIVILEGE, MT 1840 PRIVILEGE, MT 1044 EP PRIVILEGE, MT 1440 EP PRIVILEGE
6	86506	Clamp		3		MT 1840 EP PRIVILEGE, MT 1440 PRIVILEGE, MT 1044 PRIVILEGE, MT 1058 EP PRIVILEGE, MT 1058 PRIVILEGE, MT 1840 PRIVILEGE, MT 1044 EP PRIVILEGE, MT 1440 EP PRIVILEGE
7	259601	Screw	M8	3		MT 1840 EP PRIVILEGE, MT 1440 PRIVILEGE, MT 1044 PRIVILEGE, MT 1058 EP PRIVILEGE, MT 1058 PRIVILEGE, MT 1840 PRIVILEGE, MT 1044 EP PRIVILEGE, MT 1440 EP PRIVILEGE
8	264664	Support		1		MT 1840 EP PRIVILEGE, MT 1440 PRIVILEGE, MT 1044 PRIVILEGE, MT 1058 EP PRIVILEGE, MT 1058 PRIVILEGE, MT 1840 PRIVILEGE, MT 1044 EP PRIVILEGE, MT 1440 EP PRIVILEGE
9	264663	Support		1		MT 1840 EP PRIVILEGE, MT 1440 PRIVILEGE, MT 1044 PRIVILEGE, MT 1058 EP PRIVILEGE, MT 1058 PRIVILEGE, MT 1840 PRIVILEGE, MT 1044 EP PRIVILEGE, MT 1440 EP PRIVILEGE
10	259946	Screw	M8	2		MT 1840 EP PRIVILEGE, MT 1440 PRIVILEGE, MT 1044 PRIVILEGE, MT 1058 EP PRIVILEGE, MT 1058 PRIVILEGE, MT 1840 PRIVILEGE, MT 1044 EP PRIVILEGE, MT 1440 EP PRIVILEGE
10	259601	Screw	M8	1		MT 1840 EP PRIVILEGE, MT 1440 PRIVILEGE, MT 1044 PRIVILEGE, MT 1058 EP PRIVILEGE, MT 1058 PRIVILEGE, MT 1840 PRIVILEGE, MT 1044 EP PRIVILEGE, MT 1440 EP PRIVILEGE

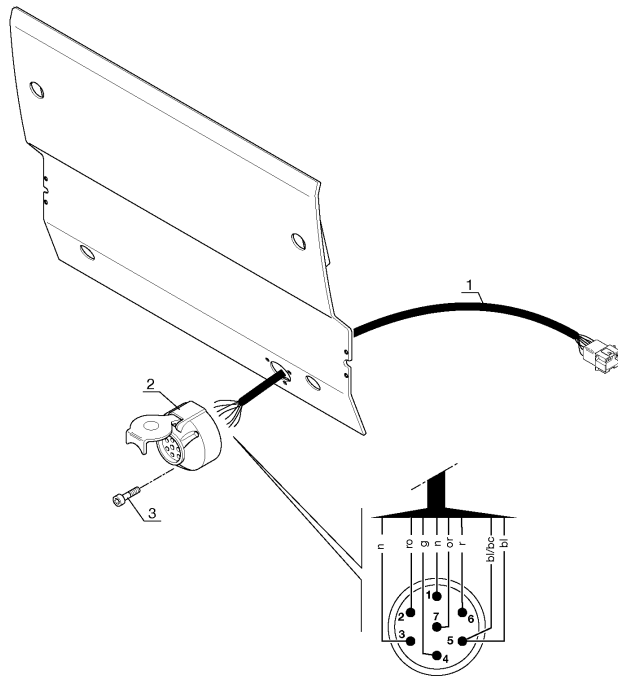
Item	Part No.	Name	Characteristics	Qty	Superseded PartNumber	Product Type
11	168865	Half clamp		10		MT 1840 EP PRIVILEGE, MT 1440 PRIVILEGE, MT 1044 PRIVILEGE, MT 1058 EP PRIVILEGE, MT 1058 PRIVILEGE, MT 1840 PRIVILEGE, MT 1044 EP PRIVILEGE, MT 1440 EP PRIVILEGE
12	168854	Protection plate		4		MT 1840 EP PRIVILEGE, MT 1440 PRIVILEGE, MT 1044 PRIVILEGE, MT 1058 EP PRIVILEGE, MT 1058 PRIVILEGE, MT 1840 PRIVILEGE, MT 1044 EP PRIVILEGE, MT 1440 EP PRIVILEGE
13	58531	Screw	HM8	4		MT 1840 EP PRIVILEGE, MT 1440 PRIVILEGE, MT 1044 PRIVILEGE, MT 1058 EP PRIVILEGE, MT 1058 PRIVILEGE, MT 1840 PRIVILEGE, MT 1044 EP PRIVILEGE, MT 1440 EP PRIVILEGE
14	230567	Mounting plate		1		MT 1840 EP PRIVILEGE, MT 1440 PRIVILEGE, MT 1044 PRIVILEGE, MT 1058 EP PRIVILEGE, MT 1058 PRIVILEGE, MT 1840 PRIVILEGE, MT 1044 EP PRIVILEGE, MT 1440 EP PRIVILEGE
15	58531	Screw	HM8	1		MT 1840 EP PRIVILEGE, MT 1440 PRIVILEGE, MT 1044 PRIVILEGE, MT 1058 EP PRIVILEGE, MT 1058 PRIVILEGE, MT 1840 PRIVILEGE, MT 1044 EP PRIVILEGE, MT 1440 EP PRIVILEGE
16	261969	Panel		1		MT 1840 EP PRIVILEGE, MT 1440 PRIVILEGE, MT 1044 PRIVILEGE, MT 1058 EP PRIVILEGE, MT 1058 PRIVILEGE, MT 1840 PRIVILEGE, MT 1044 EP PRIVILEGE, MT 1440 EP PRIVILEGE
17	746569	Wiring harness		1		MT 1840 EP PRIVILEGE, MT 1440 PRIVILEGE, MT 1044 PRIVILEGE, MT 1058 EP PRIVILEGE, MT 1058 PRIVILEGE, MT 1840 PRIVILEGE, MT 1044 EP PRIVILEGE, MT 1440 EP PRIVILEGE
18	746570	Bulb		2		MT 1840 EP PRIVILEGE, MT 1440 PRIVILEGE, MT 1044 PRIVILEGE, MT 1058 EP PRIVILEGE, MT 1058 PRIVILEGE, MT 1840 PRIVILEGE, MT 1044 EP PRIVILEGE, MT 1440 EP PRIVILEGE
19	746571	Screw		4		MT 1840 EP PRIVILEGE, MT 1440 PRIVILEGE, MT 1044 PRIVILEGE, MT 1058 EP PRIVILEGE, MT 1058 PRIVILEGE, MT 1840 PRIVILEGE, MT 1044 EP PRIVILEGE, MT 1440 EP PRIVILEGE
20	746572	Handle		2		MT 1840 EP PRIVILEGE, MT 1440 PRIVILEGE, MT 1044 PRIVILEGE, MT 1058 EP PRIVILEGE, MT 1058 PRIVILEGE, MT 1840 PRIVILEGE, MT 1044 EP PRIVILEGE, MT 1440 EP PRIVILEGE
21	746573	Rack		1		MT 1840 EP PRIVILEGE, MT 1440 PRIVILEGE, MT 1044 PRIVILEGE, MT 1058 EP PRIVILEGE, MT 1058 PRIVILEGE, MT 1840 PRIVILEGE, MT 1044 EP PRIVILEGE, MT 1440 EP PRIVILEGE

Item	Part No.	Name	Characteristics	Qty	Superseded PartNumber	Product Type
22	958503	CABLE		1	746574	MT 1840 EP PRIVILEGE, MT 1440 PRIVILEGE, MT 1044 PRIVILEGE, MT 1058 EP PRIVILEGE, MT 1058 PRIVILEGE, MT 1840 PRIVILEGE, MT 1044 EP PRIVILEGE, MT 1440 EP PRIVILEGE
23	564071	Clip		1		MT 1840 EP PRIVILEGE, MT 1440 PRIVILEGE, MT 1044 PRIVILEGE, MT 1058 EP PRIVILEGE, MT 1058 PRIVILEGE, MT 1840 PRIVILEGE, MT 1044 EP PRIVILEGE, MT 1440 EP PRIVILEGE
24	52506164	Heating		1		MT 1840 EP PRIVILEGE, MT 1440 PRIVILEGE, MT 1044 PRIVILEGE, MT 1058 EP PRIVILEGE, MT 1058 PRIVILEGE, MT 1840 PRIVILEGE, MT 1044 EP PRIVILEGE, MT 1440 EP PRIVILEGE
25	267932	Clamp		2		MT 1840 EP PRIVILEGE, MT 1440 PRIVILEGE, MT 1044 PRIVILEGE, MT 1058 EP PRIVILEGE, MT 1058 PRIVILEGE, MT 1840 PRIVILEGE, MT 1044 EP PRIVILEGE, MT 1440 EP PRIVILEGE
26	194492	Clamp		1		MT 1840 EP PRIVILEGE, MT 1440 PRIVILEGE, MT 1044 PRIVILEGE, MT 1058 EP PRIVILEGE, MT 1058 PRIVILEGE, MT 1840 PRIVILEGE, MT 1044 EP PRIVILEGE, MT 1440 EP PRIVILEGE
27	267870	Screw		1		MT 1840 EP PRIVILEGE, MT 1440 PRIVILEGE, MT 1044 PRIVILEGE, MT 1058 EP PRIVILEGE, MT 1058 PRIVILEGE, MT 1840 PRIVILEGE, MT 1044 EP PRIVILEGE, MT 1440 EP PRIVILEGE
28	86506	Clamp		1		MT 1840 EP PRIVILEGE, MT 1440 PRIVILEGE, MT 1044 PRIVILEGE, MT 1058 EP PRIVILEGE, MT 1058 PRIVILEGE, MT 1840 PRIVILEGE, MT 1044 EP PRIVILEGE, MT 1440 EP PRIVILEGE
29	259601	Screw	M8	1		MT 1840 EP PRIVILEGE, MT 1440 PRIVILEGE, MT 1044 PRIVILEGE, MT 1058 EP PRIVILEGE, MT 1058 PRIVILEGE, MT 1840 PRIVILEGE, MT 1044 EP PRIVILEGE, MT 1440 EP PRIVILEGE

11 CB 719

PRISE ELECTRIQUE ARRIERE
HINTER STECKKONTAKT
TOMA DE CORRIENTE TRASERA
REAR CONNECTOR
PRESA POSTERIORE

MT 1440 PRIVILEGE
MT 1440 EP PRIVILEGE
MT 1440 A PRIVILEGE
MT 1840 PRIVILEGE
MT 1840 EP PRIVILEGE
MT 1840 A PRIVILEGE



Item	Part No.	Name	Characteristics	Qty	Superseded PartNumber	Product Type
0	728691	Rear connector kit		1		MT 1840 EP PRIVILEGE, MT 1440 A PRIVILEGE, MT 1440 PRIVILEGE, MT 1840 A PRIVILEGE, MT 1840 PRIVILEGE, MT 1440 EP PRIVILEGE
0	728691OPT	ELECTRIC CONNECTING		1	261170	MT 1840 EP PRIVILEGE, MT 1440 A PRIVILEGE, MT 1440 PRIVILEGE, MT 1840 A PRIVILEGE, MT 1840 PRIVILEGE, MT 1440 EP PRIVILEGE
1	261183	Wiring harness		1		MT 1840 EP PRIVILEGE, MT 1440 A PRIVILEGE, MT 1440 PRIVILEGE, MT 1840 A PRIVILEGE, MT 1840 PRIVILEGE, MT 1440 EP PRIVILEGE
2	166347	Electric power socket		1		MT 1840 EP PRIVILEGE, MT 1440 A PRIVILEGE, MT 1440 PRIVILEGE, MT 1840 A PRIVILEGE, MT 1840 PRIVILEGE, MT 1440 EP PRIVILEGE
3	160573	screw	M5	3		MT 1840 EP PRIVILEGE, MT 1440 A PRIVILEGE, MT 1440 PRIVILEGE, MT 1840 A PRIVILEGE, MT 1840 PRIVILEGE, MT 1440 EP PRIVILEGE

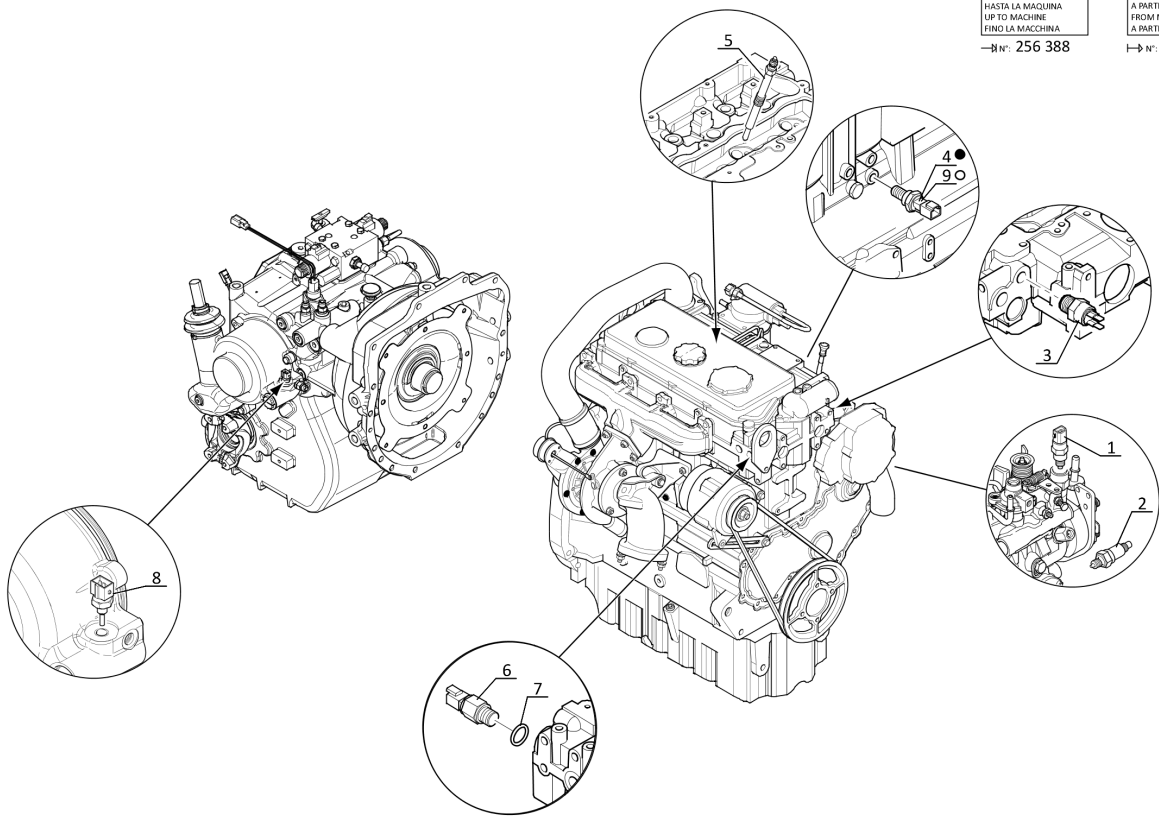
11 CD 122

ELECTRICITE (Moteur - Transmission)
ELEKTIZITÄT (Motor - Getriebe)
ELECTRICIDAD (Motor - Transmission)
ELECTRICITY (Engine - Transmission)
ELETRICO (Motore - Trasmisione)

MT 1440 PRIVILEGE
MT 1440 EP PRIVILEGE
MT 1840 PRIVILEGE
MT 1840 EP PRIVILEGE

● JUSQU'A LA MACHINE
BIS DER MASCHINE
HASTA LA MAQUINA
UP TO MACHINE
FINO LA MACCHINA
→ N°: 256 388

○ A PARTIR DE LA MACHINE
AB DER MASCHINE
A PARTIR DE LA MAQUINA
FROM MACHINE
A PARTIR DA MACCHINA
→ N°: 256 389



P.A. O. - Il l'us
26 / 05 / 10

Item	Part No.	Name	Characteristics	Qty	Superseded PartNumber	Product Type
1	601673	Solenoid		1		MT 1840 EP PRIVILEGE, MT 1440 PRIVILEGE, MT 1044 PRIVILEGE, MT 1058 EP PRIVILEGE, MT 1058 PRIVILEGE, MT 1840 PRIVILEGE, MT 1044 EP PRIVILEGE, MT 1440 EP PRIVILEGE
2	704984	Electrovalve		1		MT 1840 EP PRIVILEGE, MT 1440 PRIVILEGE, MT 1044 PRIVILEGE, MT 1058 EP PRIVILEGE, MT 1058 PRIVILEGE, MT 1840 PRIVILEGE, MT 1044 EP PRIVILEGE, MT 1440 EP PRIVILEGE
3	702283	Coolant temperature sensor		1		MT 1840 EP PRIVILEGE, MT 1440 PRIVILEGE, MT 1044 PRIVILEGE, MT 1058 EP PRIVILEGE, MT 1058 PRIVILEGE, MT 1840 PRIVILEGE, MT 1044 EP PRIVILEGE, MT 1440 EP PRIVILEGE
4	705946	Pressure switch		1	745801	MT 1840 EP PRIVILEGE, MT 1440 PRIVILEGE, MT 1044 PRIVILEGE, MT 1058 EP PRIVILEGE, MT 1058 PRIVILEGE, MT 1840 PRIVILEGE, MT 1044 EP PRIVILEGE, MT 1440 EP PRIVILEGE
5	959018	glow plug		4		MT 1840 EP PRIVILEGE, MT 1440 PRIVILEGE, MT 1044 PRIVILEGE, MT 1058 EP PRIVILEGE, MT 1058 PRIVILEGE, MT 1840 PRIVILEGE, MT 1044 EP PRIVILEGE, MT 1440 EP PRIVILEGE
6	702318	Coolant temperature sensor		1		MT 1840 EP PRIVILEGE, MT 1440 PRIVILEGE, MT 1044 PRIVILEGE, MT 1058 EP PRIVILEGE, MT 1058 PRIVILEGE, MT 1840 PRIVILEGE, MT 1044 EP PRIVILEGE, MT 1440 EP PRIVILEGE
7	604922	Seal		1		MT 1840 EP PRIVILEGE, MT 1440 PRIVILEGE, MT 1044 PRIVILEGE, MT 1058 EP PRIVILEGE, MT 1058 PRIVILEGE, MT 1840 PRIVILEGE, MT 1044 EP PRIVILEGE, MT 1440 EP PRIVILEGE
8	745854	Oil temperature sensor		1		MT 1840 EP PRIVILEGE, MT 1440 PRIVILEGE, MT 1044 PRIVILEGE, MT 1058 EP PRIVILEGE, MT 1058 PRIVILEGE, MT 1840 PRIVILEGE, MT 1044 EP PRIVILEGE, MT 1440 EP PRIVILEGE
9	705946	Pressure switch		1	745801	MT 1840 EP PRIVILEGE, MT 1440 PRIVILEGE, MT 1044 PRIVILEGE, MT 1058 EP PRIVILEGE, MT 1058 PRIVILEGE, MT 1840 PRIVILEGE, MT 1044 EP PRIVILEGE, MT 1440 EP PRIVILEGE

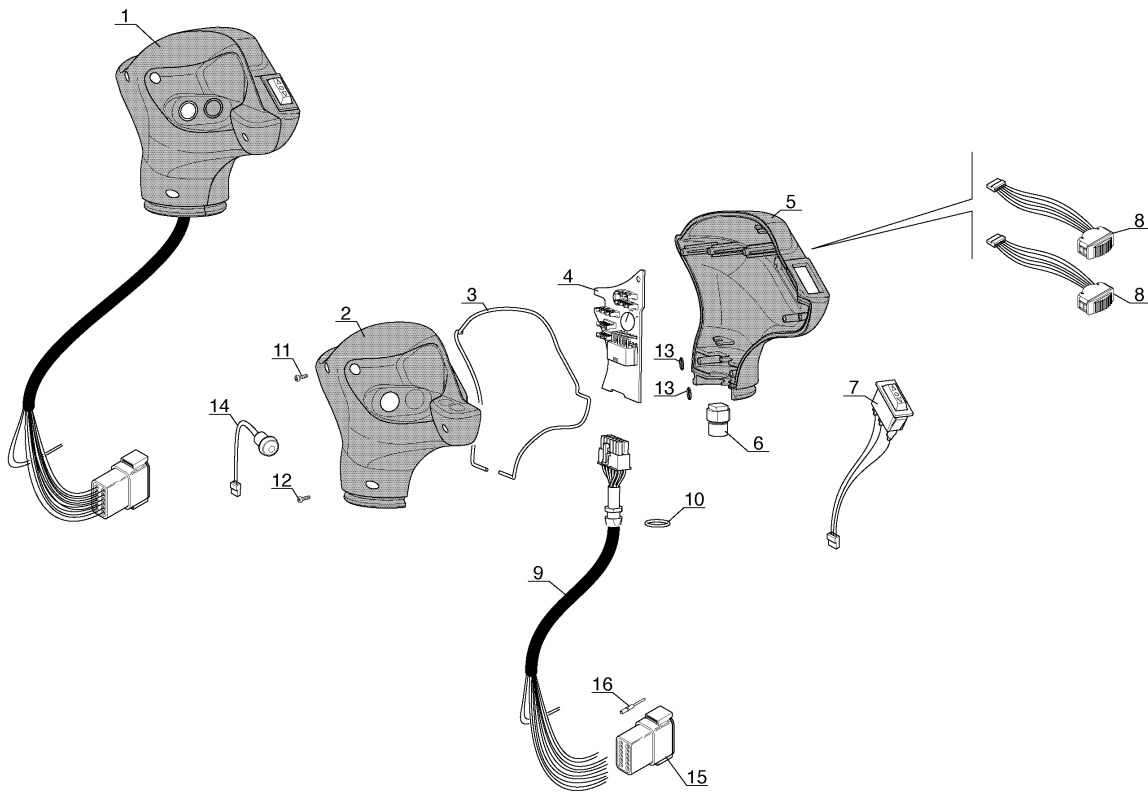
10 EA 193

JUSQU'A LA MACHINE
BIS DER MASCHINE
HASTA LA MAQUINA
UP TO MACHINE
FINO LA MACCHINA

→ N° 238 667

HYDRAULIQUE (Détails)
HYDRAULIK (Einzelteile)
HIDRAULICO (Detalles)
HYDRAULIC (Details)
IDRAULICO (Dettaglio)

MT 1436 R PRIVILEGE
MT 1440 PRIVILEGE
MT 1840 PRIVILEGE
MT 1840 R PRIVILEGE



12 / 04 / 07
P.A.O. Illius

Item	Part No.	Name	Characteristics	Qty	Superseded PartNumber	Product Type
0	750866	Hydraulic electrovalve + attachment locking kit		1		MT 1436 R PRIVILEGE, MT 1440 PRIVILEGE, MT 1840 R PRIVILEGE, MT 1840 PRIVILEGE
0	750861	Electrovalve kit		1		MT 1436 R PRIVILEGE, MT 1440 PRIVILEGE, MT 1840 R PRIVILEGE, MT 1840 PRIVILEGE
0	750860	Electrovalve kit		1		MT 1436 R PRIVILEGE, MT 1440 PRIVILEGE, MT 1840 R PRIVILEGE, MT 1840 PRIVILEGE
0	750866OPT	ELECTROVALVE		1	265029	MT 1436 R PRIVILEGE, MT 1440 PRIVILEGE, MT 1840 R PRIVILEGE, MT 1840 PRIVILEGE
0	750865	Hydraulic electrovalve + attachment locking kit		1		MT 1436 R PRIVILEGE, MT 1440 PRIVILEGE, MT 1840 R PRIVILEGE, MT 1840 PRIVILEGE
0	750865OPT	ELECTROVALVE		1	265028	MT 1436 R PRIVILEGE, MT 1440 PRIVILEGE, MT 1840 R PRIVILEGE, MT 1840 PRIVILEGE
0	265002	Electrovalve - Boom head kit		1		MT 1436 R PRIVILEGE, MT 1440 PRIVILEGE, MT 1840 R PRIVILEGE, MT 1840 PRIVILEGE
0	750860OPT	ELECTROVALVE		1	265001	MT 1436 R PRIVILEGE, MT 1440 PRIVILEGE, MT 1840 R PRIVILEGE, MT 1840 PRIVILEGE
1	290604	Manipulator		1		MT 1436 R PRIVILEGE, MT 1440 PRIVILEGE, MT 1840 R PRIVILEGE, MT 1840 PRIVILEGE
2	746324	R.H. housing		1		MT 1436 R PRIVILEGE, MT 1440 PRIVILEGE, MT 1840 R PRIVILEGE, MT 1840 PRIVILEGE
3	958027	o-ring		1	706143	MT 1436 R PRIVILEGE, MT 1440 PRIVILEGE, MT 1840 R PRIVILEGE, MT 1840 PRIVILEGE
4	794723	Wiring		1		MT 1436 R PRIVILEGE, MT 1440 PRIVILEGE, MT 1840 R PRIVILEGE, MT 1840 PRIVILEGE
5	788421	Handle		1		MT 1436 R PRIVILEGE, MT 1440 PRIVILEGE, MT 1840 R PRIVILEGE, MT 1840 PRIVILEGE
6	958626	fairlead		1	706146	MT 1436 R PRIVILEGE, MT 1440 PRIVILEGE, MT 1840 R PRIVILEGE, MT 1840 PRIVILEGE
7	720341	Switch		1	705930	MT 1436 R PRIVILEGE, MT 1440 PRIVILEGE, MT 1840 R PRIVILEGE, MT 1840 PRIVILEGE
8	705933	Switch		2	775739	MT 1436 R PRIVILEGE, MT 1440 PRIVILEGE, MT 1840 R PRIVILEGE, MT 1840 PRIVILEGE
9	794723	Wiring		1		MT 1436 R PRIVILEGE, MT 1440 PRIVILEGE, MT 1840 R PRIVILEGE, MT 1840 PRIVILEGE
10	706147	Seal		1		MT 1436 R PRIVILEGE, MT 1440 PRIVILEGE, MT 1840 R PRIVILEGE, MT 1840 PRIVILEGE
11	746320	Screw		6		MT 1436 R PRIVILEGE, MT 1440 PRIVILEGE, MT 1840 R PRIVILEGE, MT 1840 PRIVILEGE
12	746321	Screw		2		MT 1436 R PRIVILEGE, MT 1440 PRIVILEGE, MT 1840 R PRIVILEGE, MT 1840 PRIVILEGE

Item	Part No.	Name	Characteristics	Qty	Superseded PartNumber	Product Type
13	746322	Seal		2		MT 1436 R PRIVILEGE, MT 1440 PRIVILEGE, MT 1840 R PRIVILEGE, MT 1840 PRIVILEGE
14	705932	Switch		1		MT 1436 R PRIVILEGE, MT 1440 PRIVILEGE, MT 1840 R PRIVILEGE, MT 1840 PRIVILEGE
15	705164	connector	12 PINS	1		MT 1436 R PRIVILEGE, MT 1440 PRIVILEGE, MT 1840 R PRIVILEGE, MT 1840 PRIVILEGE
16	704564	Male cable terminal		14		MT 1436 R PRIVILEGE, MT 1440 PRIVILEGE, MT 1840 R PRIVILEGE, MT 1840 PRIVILEGE

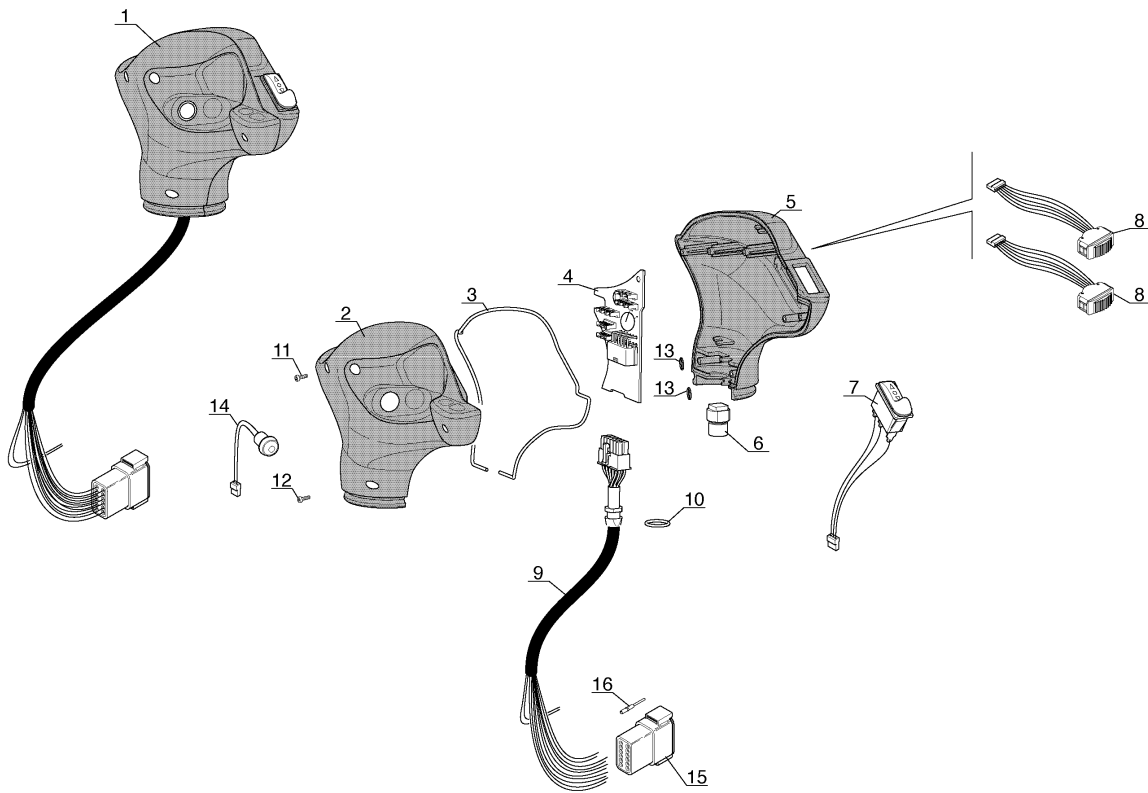
10 EA 197

A PARTIR DE LA MACHINE
AB DER MASCHINE
A PARTIR DE LA MAQUINA
FROM MACHINE
A PARTIR DA MACCHINA

→ N° 238 668

HYDRAULIQUE (Détails)
HYDRAULIK (Einzelteile)
HIDRAULICO (Detalles)
HYDRAULIC (Details)
IDRAULICO (Dettaglio)

MT 1436 R PRIVILEGE
MT 1440 PRIVILEGE
MT 1840 PRIVILEGE
MT 1840 R PRIVILEGE



12 / 04 / 07
P.A.O. Illius

Item	Part No.	Name	Characteristics	Qty	Superseded PartNumber	Product Type
0	750865	Hydraulic electrovalve + attachment locking kit		1		MT 1436 R PRIVILEGE, MT 1440 PRIVILEGE, MT 1840 R PRIVILEGE, MT 1840 PRIVILEGE
0	750861	Electrovalve kit		1		MT 1436 R PRIVILEGE, MT 1440 PRIVILEGE, MT 1840 R PRIVILEGE, MT 1840 PRIVILEGE
0	265002	Electrovalve - Boom head kit		1		MT 1436 R PRIVILEGE, MT 1440 PRIVILEGE, MT 1840 R PRIVILEGE, MT 1840 PRIVILEGE
0	750860	Electrovalve kit		1		MT 1436 R PRIVILEGE, MT 1440 PRIVILEGE, MT 1840 R PRIVILEGE, MT 1840 PRIVILEGE
0	750866	Hydraulic electrovalve + attachment locking kit		1		MT 1436 R PRIVILEGE, MT 1440 PRIVILEGE, MT 1840 R PRIVILEGE, MT 1840 PRIVILEGE
0	750865OPT	ELECTROVALVE		1	265028	MT 1436 R PRIVILEGE, MT 1440 PRIVILEGE, MT 1840 R PRIVILEGE, MT 1840 PRIVILEGE
0	750866OPT	ELECTROVALVE		1	265029	MT 1436 R PRIVILEGE, MT 1440 PRIVILEGE, MT 1840 R PRIVILEGE, MT 1840 PRIVILEGE
1	290604	Manipulator		1		MT 1436 R PRIVILEGE, MT 1440 PRIVILEGE, MT 1840 R PRIVILEGE, MT 1840 PRIVILEGE
2	746324	R.H. housing		1		MT 1436 R PRIVILEGE, MT 1440 PRIVILEGE, MT 1840 R PRIVILEGE, MT 1840 PRIVILEGE
3	958027	o-ring		1	706143	MT 1436 R PRIVILEGE, MT 1440 PRIVILEGE, MT 1840 R PRIVILEGE, MT 1840 PRIVILEGE
4	794723	Wiring		1		MT 1436 R PRIVILEGE, MT 1440 PRIVILEGE, MT 1840 R PRIVILEGE, MT 1840 PRIVILEGE
5	788421	Handle		1		MT 1436 R PRIVILEGE, MT 1440 PRIVILEGE, MT 1840 R PRIVILEGE, MT 1840 PRIVILEGE
6	958626	fairlead		1	706146	MT 1436 R PRIVILEGE, MT 1440 PRIVILEGE, MT 1840 R PRIVILEGE, MT 1840 PRIVILEGE
7	794722	Push Button		1		MT 1436 R PRIVILEGE, MT 1440 PRIVILEGE, MT 1840 R PRIVILEGE, MT 1840 PRIVILEGE
8	746606	Push Button		2		MT 1436 R PRIVILEGE, MT 1440 PRIVILEGE, MT 1840 R PRIVILEGE, MT 1840 PRIVILEGE
9	794723	Wiring		1		MT 1436 R PRIVILEGE, MT 1440 PRIVILEGE, MT 1840 R PRIVILEGE, MT 1840 PRIVILEGE
10	706147	Seal		1		MT 1436 R PRIVILEGE, MT 1440 PRIVILEGE, MT 1840 R PRIVILEGE, MT 1840 PRIVILEGE
11	746320	Screw		6		MT 1436 R PRIVILEGE, MT 1440 PRIVILEGE, MT 1840 R PRIVILEGE, MT 1840 PRIVILEGE
12	746321	Screw		2		MT 1436 R PRIVILEGE, MT 1440 PRIVILEGE, MT 1840 R PRIVILEGE, MT 1840 PRIVILEGE
13	746322	Seal		2		MT 1436 R PRIVILEGE, MT 1440 PRIVILEGE, MT 1840 R PRIVILEGE, MT 1840 PRIVILEGE

Item	Part No.	Name	Characteristics	Qty	Superseded PartNumber	Product Type
14	705932	Switch		1		MT 1436 R PRIVILEGE, MT 1440 PRIVILEGE, MT 1840 R PRIVILEGE, MT 1840 PRIVILEGE
15	705164	connector	12 PINS	1		MT 1436 R PRIVILEGE, MT 1440 PRIVILEGE, MT 1840 R PRIVILEGE, MT 1840 PRIVILEGE
16	704564	Male cable terminal		14		MT 1436 R PRIVILEGE, MT 1440 PRIVILEGE, MT 1840 R PRIVILEGE, MT 1840 PRIVILEGE

